

Installation/Wiring DC Motor Control for Phantom and Orbiter by Draper

Caution

- ① **Make sure electrical supply has been disconnected before attempting to connect Lift to electricity.**
- ② Unit operates on 12V DC.
- ③ Lift must be installed in accordance with the requirements of the Local Building Codes, the Canadian Electrical Code (CEC), CAN/CSA C22.1 and the National Electric Code(NEC), NFPA 70. All operating switches should be "off" before power is connected.
- ④ Lift should be operated and checked prior to installing projector.
- ⑤ Unit must be installed by qualified personnel.

Electrical Specifications—DC Motor Control

Input:

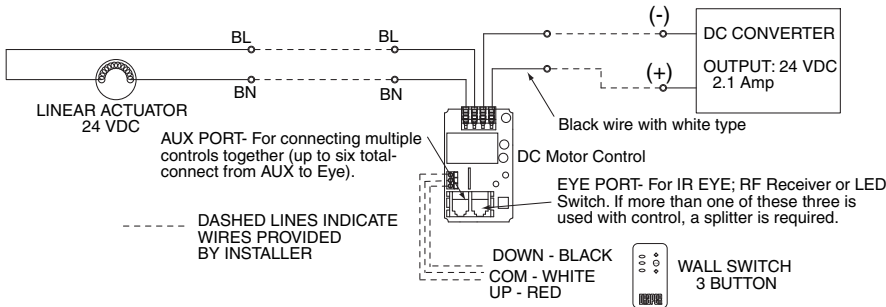
DC Voltage 11.5-36VDC

Output:

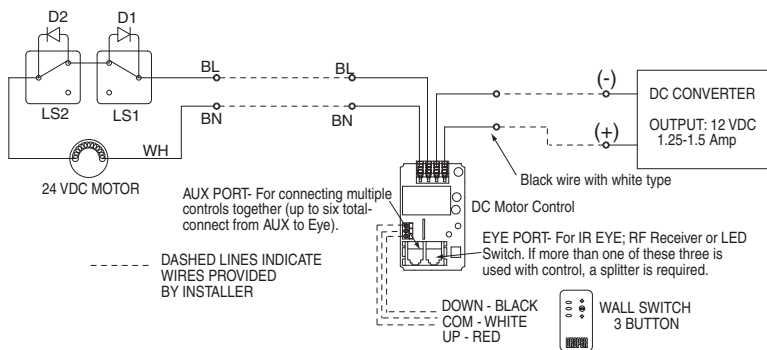
Same voltage as input, 7.0 FLA Max. Signal output is Class 2.

Make sure the total FLA of all motors connected together does not exceed the load carrying capacity of the this control. This device has not been evaluated for reliability to the Standard for Tests for Safety-Related Controls Employing Solid-State Devices, UL 991 and therefore not considered suitable for entrapment protection.

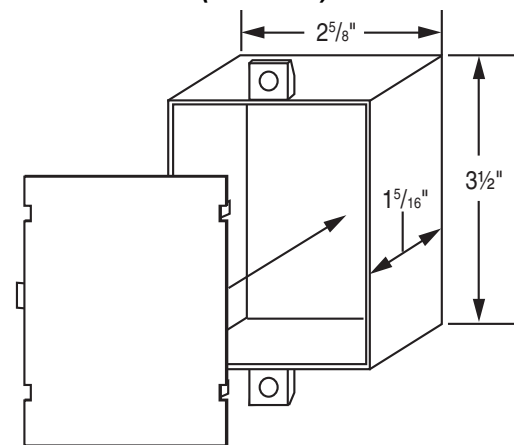
DC Motor Control Wiring Diagram for Phantom



DC Motor Control Wiring Diagram for Orbiter



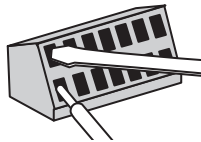
DC Motor Control Mounting Box (included)



Spring-Loaded Terminals

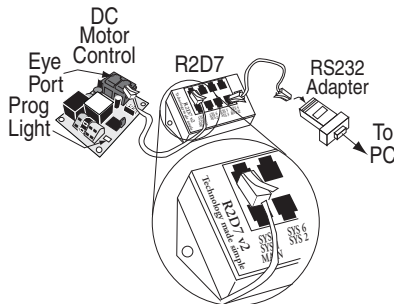
When running wires to the spring-loaded terminals, use the following steps:

- ① Strip outer wire sheathing back 1", then strip insulation of individual wires back 3/8".
- ② Place screwdriver into the top slot to open the spring-loaded terminal.
- ③ Slide wire into terminal connection point.
- ④ Remove screwdriver. Wire is now locked into place.



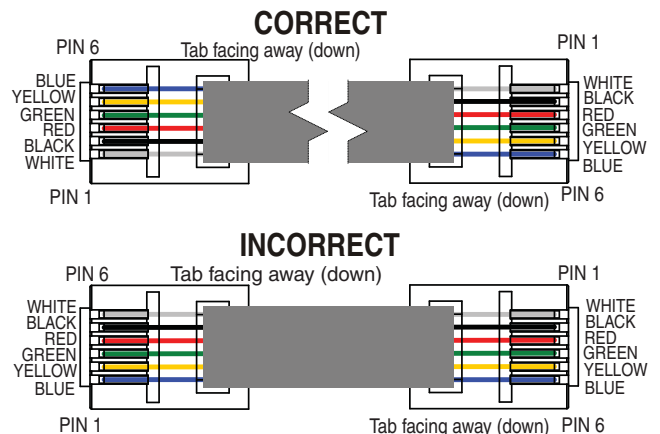
RS232 Note:

Operating a Phantom or Orbiter via RS232 requires an R2D7. See separate R2D7 RS232 instructions for details.



Please Note:

Cable used to connect to the Eye jack must be **electrically straight** 6-conductor modular cable (RJ25). This means colors do not cross over: blue leads to blue, green to green, etc. (see diagram below).



COLOR	PIN #	FUNCTION
WHITE	1	CLOCK
BLACK	2	COMMON
RED	3	+5VDC
GREEN	4	DATA
YELLOW	5	DATA
BLUE	6	+12VDC

DRAPER®