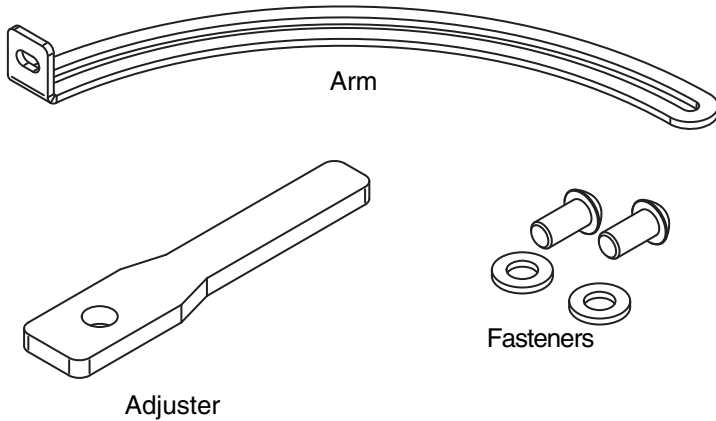


Assembly/Installation Instructions

Angled Ceiling Adapter for Orbiter Projector Lift by Draper

Angled Ceiling Adapter—Hardware & Parts



- ② Attach the Angled Ceiling Adapter as shown in Fig. 2, then install the Orbiter as per the separate Orbiter instructions. After installation, test the Orbiter's action.

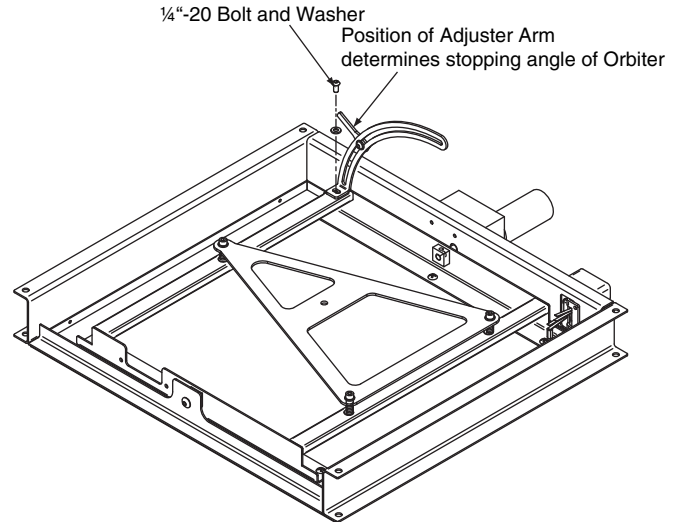


Figure 2

Installing Optional Angled Ceiling Adapter

The Orbiter can be installed in an angled ceiling using the Angled Ceiling Adapter. Follow the below instructions.

- ① Assemble the Angled Ceiling Adapter as shown in Fig. 1.

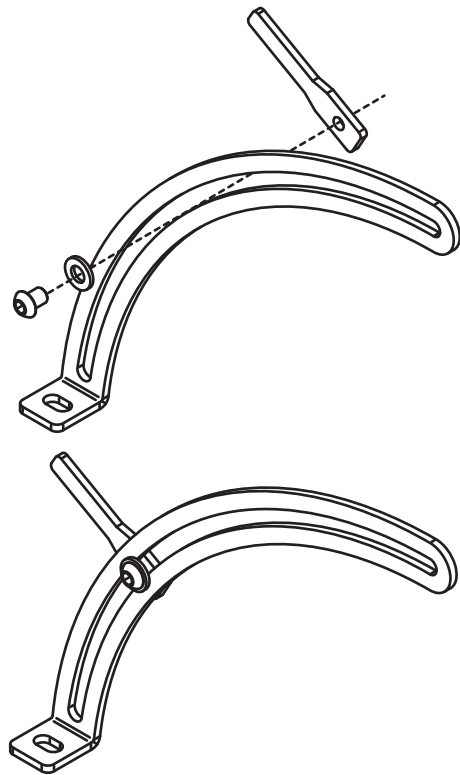
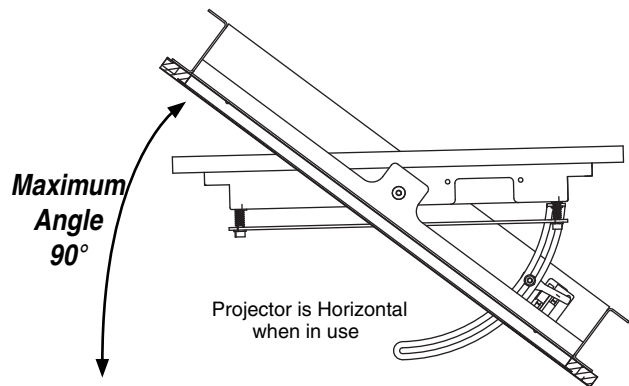
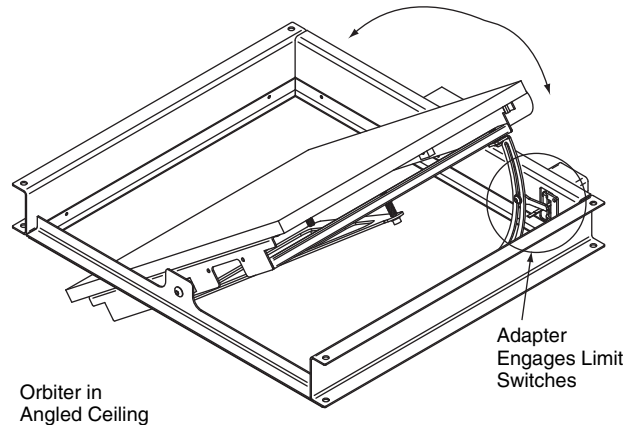


Figure 1

Orbiter in Operation with Optional Angled Ceiling Adapter



DRAPER®

411 S. Pearl St., Spiceland, IN 47385 USA ■ 765-987-7999
www.draperinc.com ■ fax 765-987-7142

Copyright ©2012 Draper Inc. Form AngledClgAdapter-Orbiter_Inst12 Printed in U.S.A.

If you encounter any difficulties installing your Angled Ceiling Adapter, call your dealer or Draper, Inc. in Spiceland, Indiana, 765-987-7999 or fax 765-987-7142.