

Installation/Assembly Instructions

AeroLift 35 Video Conferencing Camera Closure, Environmental Air Space Housing & Ceiling Trim Kit by Draper

Installing Optional Environmental Air Space Housing

The Environmental Air Space Housing is shipped pre-assembled in its shortest position. The height of the housing can be adjusted by moving the screws to different mounting holes in side panels. The incremental adjustment for the top screw and bottom screw is 1/2"; the incremental adjustment for the rest of the screws is 1". You can install the housing in a pre-assembled state or as separate components, which will require that the housing be completely disassembled prior to installation.

Please note that if the Environmental Air Space Housing is to be installed in a space where there is no access from above the housing, then it is recommended that the AeroLift 35 be installed to the upper section prior to installing the housing. It is also recommended that an access panel be installed to allow future access.

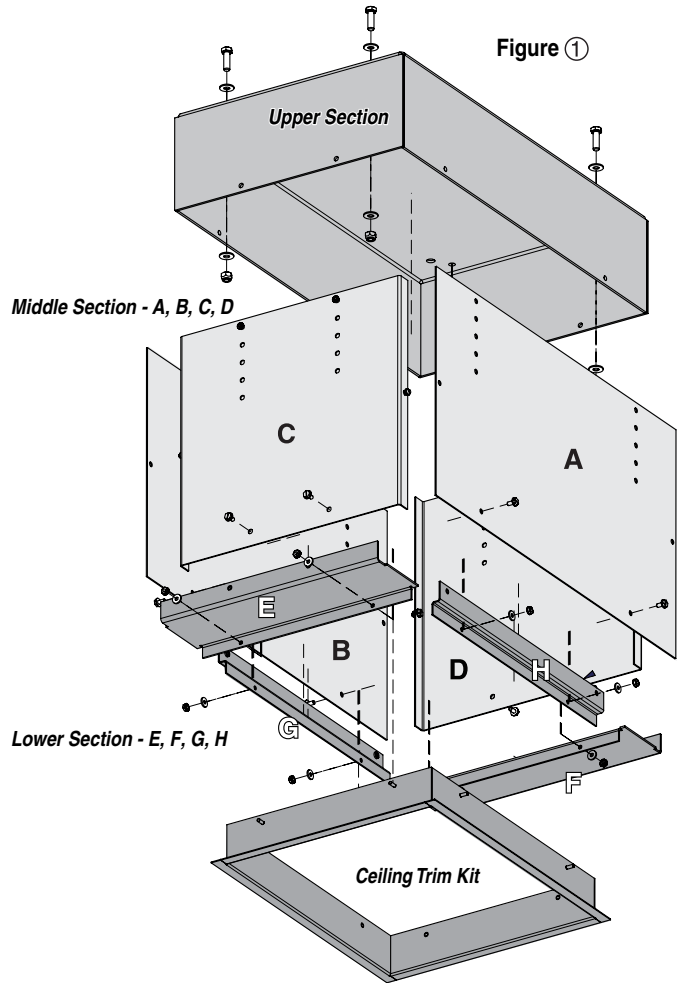
Refer to Figure 1 for these instructions.

- ① Install top section of housing using outer four holes located on top of upper section. If installing large housing, make sure it is oriented properly to allow correct placement of lift within housing.
- ② Attach AeroLift 35 to upper section of housing through the inner four holes in the upper section with the 5/16" -18 x 7/8" hex head screws, 5/16" flat washers and lock nuts provided with housing. The lock nuts should be used **above** the housing (one per screw).
- ③ Attach **A & B** (the two flat panels of the middle section across from each other) with the clinch nuts to the outside of the housing.
- ④ Attach **C & D** (the two middle section panels with the formed ends) across from one another.
- ⑤ Attach **E & F** (the two larger lower section panels across from each other) with the clinch nuts to the outside of the housing. E to C and F to D.
- ⑥ Attach **G & H** (the two remaining lower section panels) across from one another.
- ⑦ Attach ceiling trim kit to lower section of Environmental Air Space Housing.

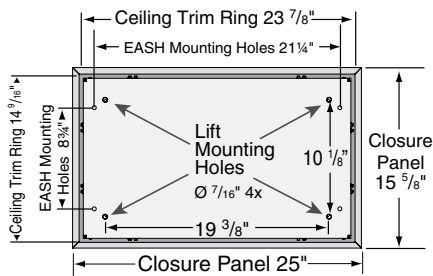
⚠ Caution: Make sure bolts and nuts are completely tightened.

Small Environmental Air Space Housing, and Camera Closure Dimensions

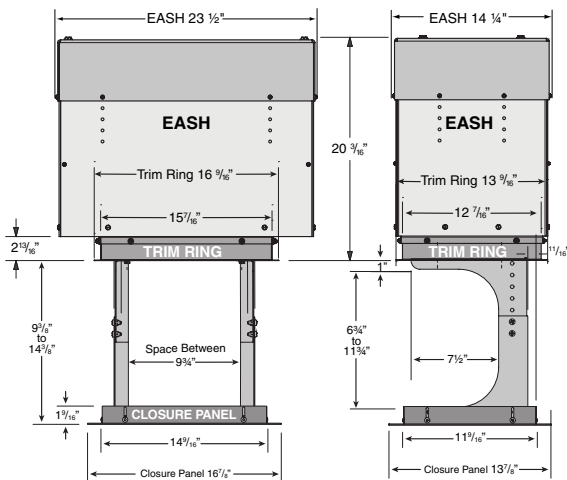
Exploded Environmental Air Space Housing



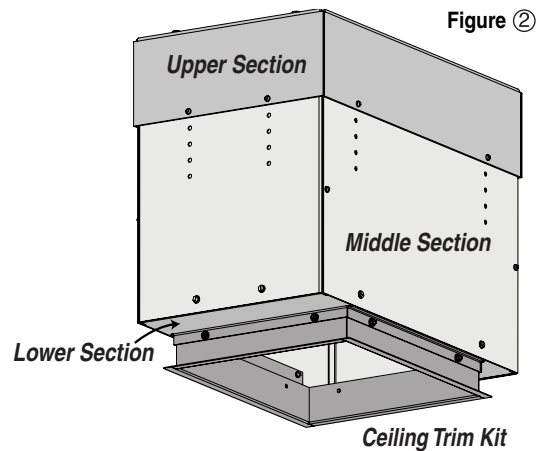
Top View



Lipless Closure Dims: 22 1/8" x 12 1/8"



Assembled Environmental Air Space Housing



411 S. Pearl St., Spiceland, IN 47385 USA ■ 765-987-7999

www.draperinc.com ■ fax 765-987-7142

Copyright © 2016 Draper Inc. Form AeroLift35_VCCameraClosure_Inst16 Printed in U.S.A.

If you encounter any difficulties installing your AeroLift 35 Environmental Air Space Housing, Closure or Ceiling Trim Kit, call your dealer or Draper, Inc. in Spiceland, Indiana, 765-987-7999 or fax 765-987-7142.

AeroLift 35 - Video Conferencing Camera Closure, Environmental Air Space Housing & Ceiling Trim Kit by Draper

Assembling Camera Closure

If your AeroLift 35 is equipped with a ceiling closure system, it can be used as is, or in conjunction with a piece of existing ceiling tile.

Please refer to diagrams below for these instructions.

- ① If installing with ceiling tile, you may need to cut tile so overall dimensions are the same as (or slightly less than) the closure panel. Place tile into trim frame. Lay closure panel on top (back side) of ceiling tile, and tighten screws to hold in place.
- ② Determine the desired height of camera shelf opening (range: 6 $\frac{3}{4}$ " to 11 $\frac{3}{4}$ ").
- ③ Assemble left and right panel brackets using $\frac{1}{2}$ "-20 x $\frac{5}{8}$ " screw and nylon hex nut.
- ④ Attach panel brackets to slots in projector plate using $\frac{1}{4}$ "-20 x $\frac{3}{4}$ " screws, washers and locking nuts.
- ⚠ **Caution: Make sure bolts and nuts attaching brackets to AeroLift are completely tightened.**
- ⑤ Attach Closure Panel (11) using $\frac{1}{4}$ "-20 x $\frac{5}{8}$ " Hex Head screws, washer and locking nut.
- ⑥ Place Camera Shelf (3), on top of the closure panel between two lower sections of panel brackets and attach with 10-32 x $\frac{1}{2}$ " screw (4) and #10 Helical Spring Lock (5).

⑦ Attach trim ring (1) to closure panel using 10-16 x $\frac{1}{2}$ " Truss Head screws.

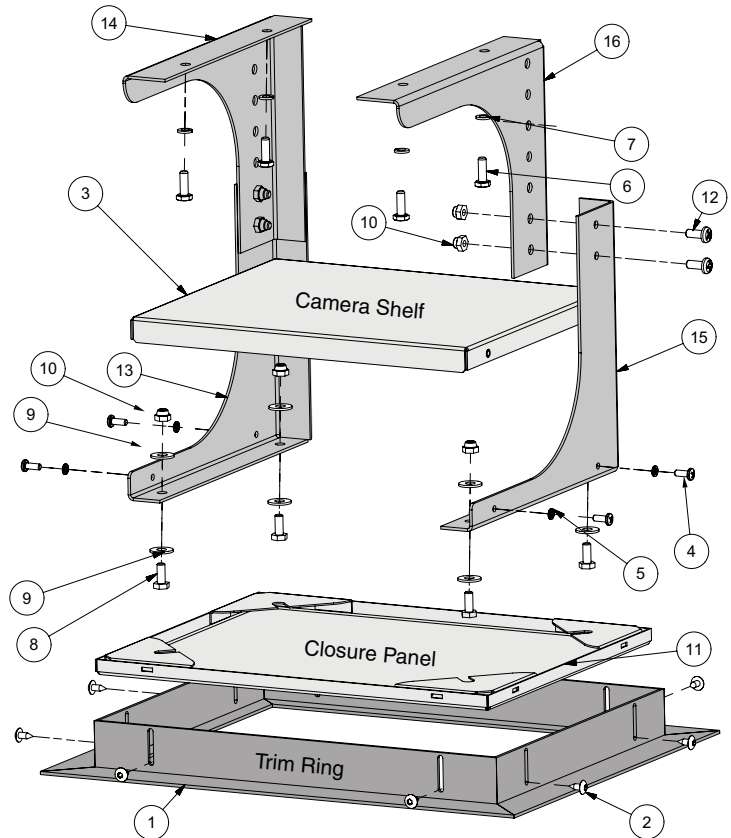
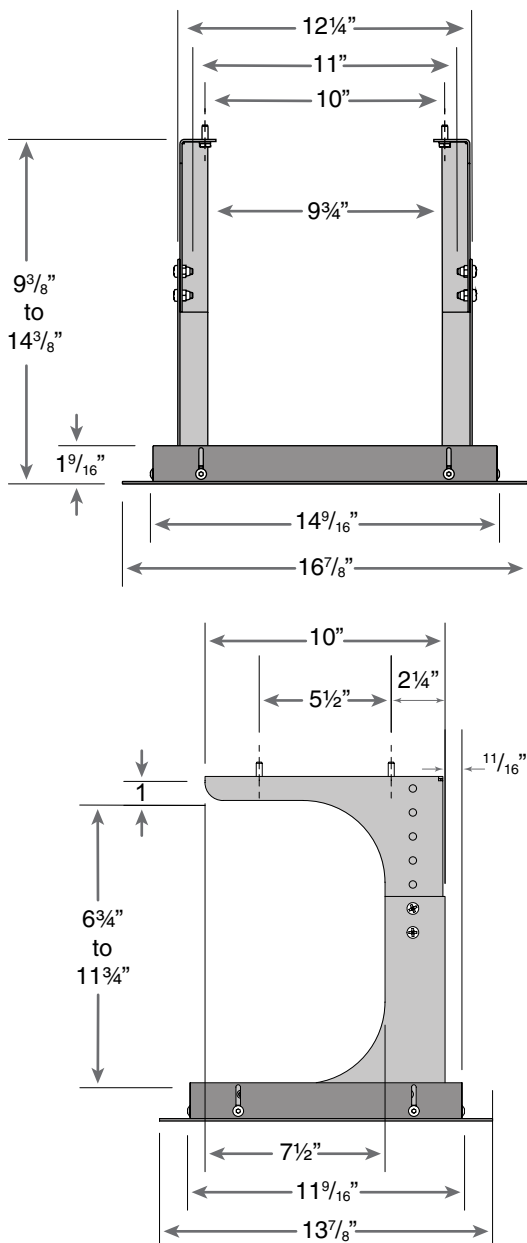
⚠ **Caution: Make sure nuts are completely tightened.**

⑧ Test unit operation to confirm that panel will stop in closed position just before touching ceiling.

⚠ **Caution: DO NOT hang from, "ride" or pull down on the unit. This could create a failure and cause damage and/or injury.**

PLEASE NOTE: Immediately upon completion of the surrounding ceiling, unit should be operated to confirm that optional ceiling closure panel by Draper or by others stops $\frac{1}{8}$ " short of touching ceiling in closed position. If closure panel touches, the motor may continue operating after the lift is closed. If it continues to cycle once the lift is closed, a failure may occur, making the unit descend rapidly and causing damage and/or injury.

Assembled Camera Closure Dimensions



Item	Qty	Part Number	Description
①	1	C028.689.08SA	Frame, VC Trim Ring
②	8	C020.558	Screw, 10-16 x $\frac{1}{2}$ " 6 Lobe Truss Head AB E
③	1	C044.218.08SA	Panel, VC Shelf
④	4	C020.389	Screw, 10-32 x $\frac{1}{2}$ " PPH Zinc Machine
⑤	4	C013.019	Washer #10 Helical Spring Lock
⑥	4	C020.153	Screw, $\frac{1}{4}$ "-20x $\frac{3}{4}$ " Grade 2 Zinc Split Lock
⑦	4	C013.028	Washer $\frac{1}{4}$ " ID x .365OD x .063T Zinc Split Lock
⑧	4	C020.152	Screw, $\frac{1}{4}$ "-20 x $\frac{5}{8}$ " Hex Head Grade 2 Zinc Cap
⑨	8	C013.033	Washer, $\frac{1}{4}$ " Wide $\frac{5}{16}$ " ID x $\frac{47}{64}$ " OD $\frac{1}{16}$ " Thk Zinc Flat
⑩	8	C018.014	Nut, $\frac{1}{4}$ "-20 Nylon Inserted Hex Zinc Locking
⑪	1	C044.217.08SA	Panel, VC Closure
⑫	4	C020.188	Screw, $\frac{1}{4}$ "-20 x $\frac{5}{8}$ " Phillips Pan Head White Machine
⑬	1	C044.221.08SA	Panel Bracket, VC Lower Left Side
⑭	1	C044.222.08SA	Panel Bracket, VC Upper Left Side
⑮	1	C044.223.08SA	Panel Bracket, VC Lower Right Side
⑯	1	C044.224.08SA	Panel Bracket, VC Upper Right Side