

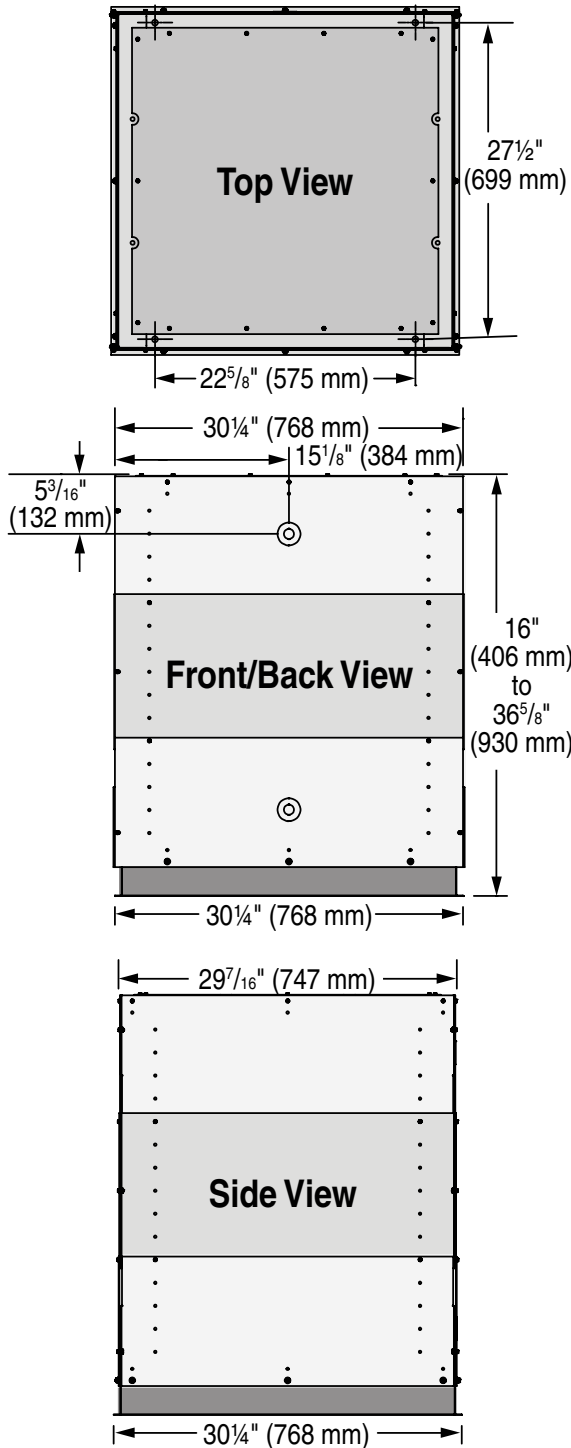
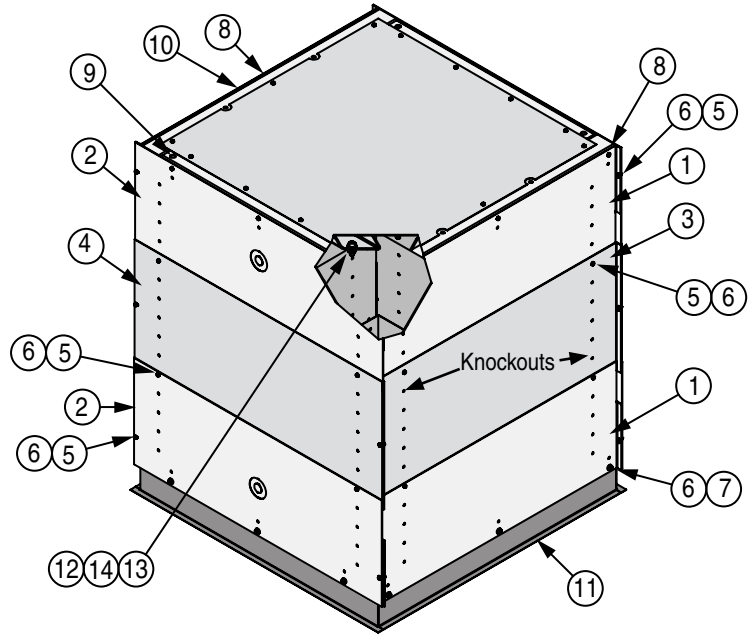
AeroLift 100 Environmental Air Space Housing

DRAPER

Please Note: Before assembling the housing, you will need to determine which assembly holes you will use, and knock them out.

The Environmental Air Space Housing is shipped in pieces, and must be assembled by the installer. The height of the Environmental Air Space Housing is set by punching out the knockouts at the desired locations then using screws to connect side panels. It is recommended that an access panel be installed in the ceiling to allow future access. The optional environmental air space housing must be installed to isolate the lift from the "other space used for environmental air."

- ① Attach Environmental Air Space Housing top frame to top of AeroLift with bolts provided.
- ② Install top panel to Environmental Air Space Housing frame.
- ③ Attach assembly to overhead structure. Allow clearance between Environmental Air Space Housing top and structure for ease of future access.
- ④ Install side and end panels, and trim frame.

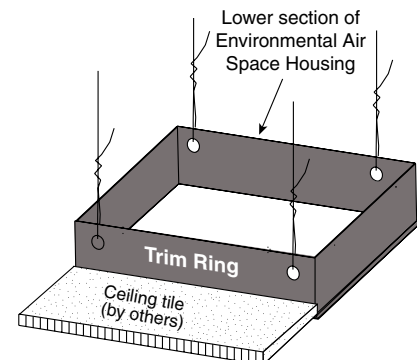


Item	Qty	Part Number	Description
①	4	C044.193SA	Panel, B Environmental Air Space Housing Side
②	4	C044.191SA	Panel, B Environmental Air Space Housing End
③	2	C044.192SA	Panel, B Environmental Air Space Housing Middle Side
④	2	C044.190SA	Panel, B Environmental Air Space Housing Middle End
⑤	28	C020.325	Screw, 8-32 X 3/8" Type 1 HWH
⑥	40	C018.051	Nut #8-32 Zinc Hex Keps
⑦	12	C013.070	Washer, .188 I.D. x .5 O.D. x .07 TK Nylon Flat
⑧	26	C020.112	Screw, 8-32 X 3/8" Type E F HWH
⑨	1	C028.609.01SA	Frame, B Environmental Air Space Housing
⑩	1	C095.130SA	Cover, B Environmental Air Space Housing
⑪	1	C028.610.07SA	Frame, B Trim Ring
⑫	4	C013.024	Washer, 3/8" Flat
⑬	4	C018.044	Nut, 3/8"-16 Zinc Hex Keps
⑭	4	C020.313	Screw, 3/8"-16 x 1" GR 5 Zinc Hex Head Cap

Installing Optional Ceiling Finish Kit

The AeroLift is available with a ceiling finish kit, which consists of the lower section of the Environmental Air Space Housing (trim frame) and the closure panel.

- ① Install AeroLift as previously described in these instructions.
- ② Install trim frame in opening. This can be accomplished by suspending with wire or mounting directly to ceiling joists (if space permits).
- ③ Install projector and attach optional ceiling closure panel to AeroLift.



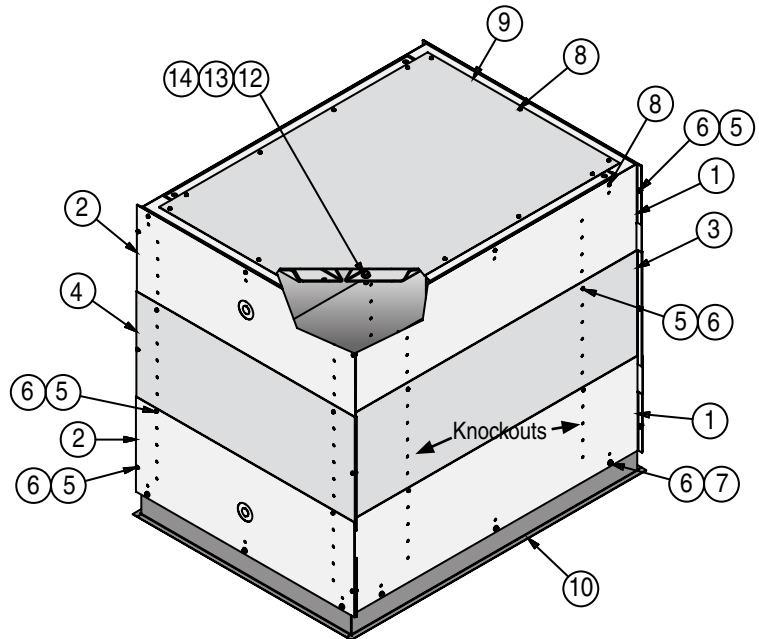
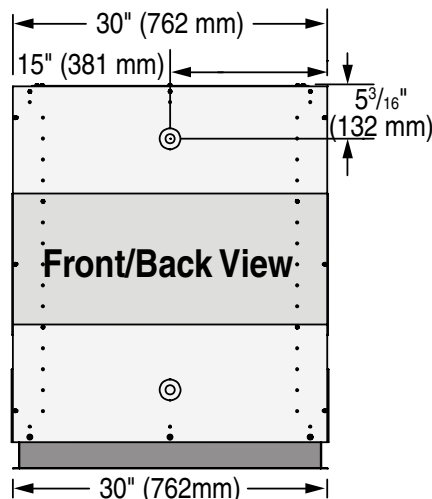
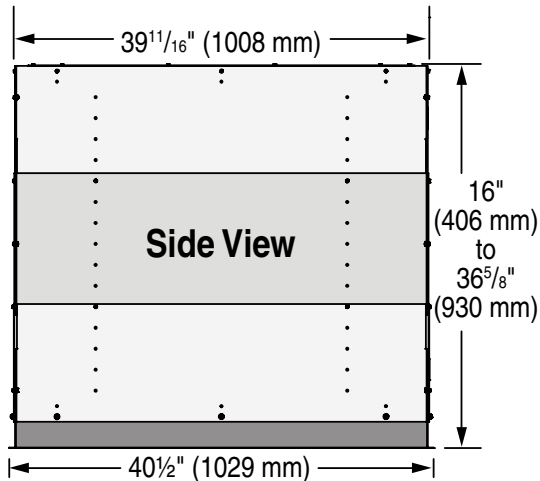
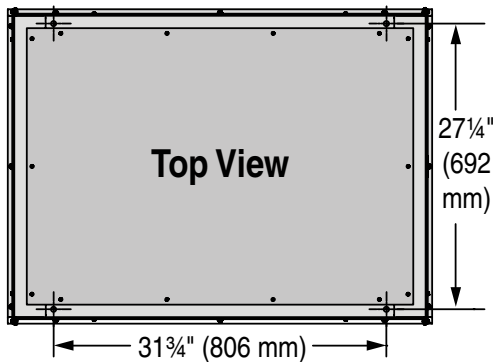
AeroLift 150 Environmental Air Space Housing

DRAPER

Please Note: Before assembling the housing, you will need to determine which assembly holes you will use, and knock them out.

The Environmental Air Space Housing is shipped in pieces, and must be assembled by the installer. The height of the Environmental Air Space Housing is set by punching out the knockouts at the desired locations then using screws to connect side panels. It is recommended that an access panel be installed in the ceiling to allow future access. The optional environmental air space housing must be installed to isolate the lift from the "other space used for environmental air."

- ① Attach Environmental Air Space Housing top frame to top of AeroLift with bolts provided.
- ② Install top panel to Environmental Air Space Housing frame.
- ③ Attach assembly to overhead structure. Allow clearance between Environmental Air Space Housing top and structure for ease of future access.
- ④ Install side and end panels, and trim frame.



Item	Qty	Part Number	Description
①	4	C044.198SA	Panel, E Environmental Air Space Housing Side
②	4	C044.196SA	Panel, E Environmental Air Space Housing End
③	2	C044.197SA	Panel, E Environmental Air Space Housing Middle Side
④	2	C044.195SA	Panel, E Environmental Air Space Housing Middle End
⑤	28	C020.325	Screw, 8-32 X 3/8" Type 1 HWH
⑥	40	C018.051	Nut #8-32 Zinc Hex Keys
⑦	12	C013.070	Washer, .188" I.D. x .5" O.D. x .07" TK Nylon Flat
⑧	26	C020.112	Screw, 8-32 X 3/8" Type F HWH
⑨	1	C095.131SA	Cover, E Environmental Air Space Housing Top
⑩	1	C028.612.07SA	Frame, E Trim Ring
⑪	1	C028.611.01SA	Frame, E Environmental Air Space Housing Top
⑫	4	C020.313	Screw 3/8"-16 x 1" GR 5 Zinc Hex Head Cap
⑬	4	C013.024	Washer, 3/8" Flat
⑭	4	C018.044	Nut 3/8"-16 Zinc Hex Keys

Installing Optional Ceiling Finish Kit

The AeroLift is available with a ceiling finish kit, which consists of the lower section of the Environmental Air Space Housing (trim frame) and the closure panel.

- ① Install AeroLift as previously described in these instructions.
- ② Install trim frame in opening. This can be accomplished by suspending with wire or mounting directly to ceiling joists (if space permits).
- ③ Install projector and attach optional ceiling closure panel to AeroLift.

