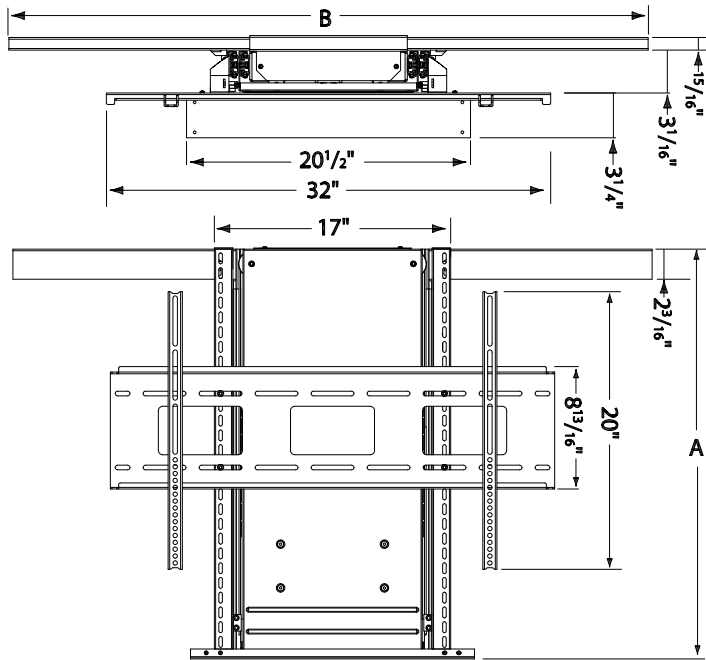


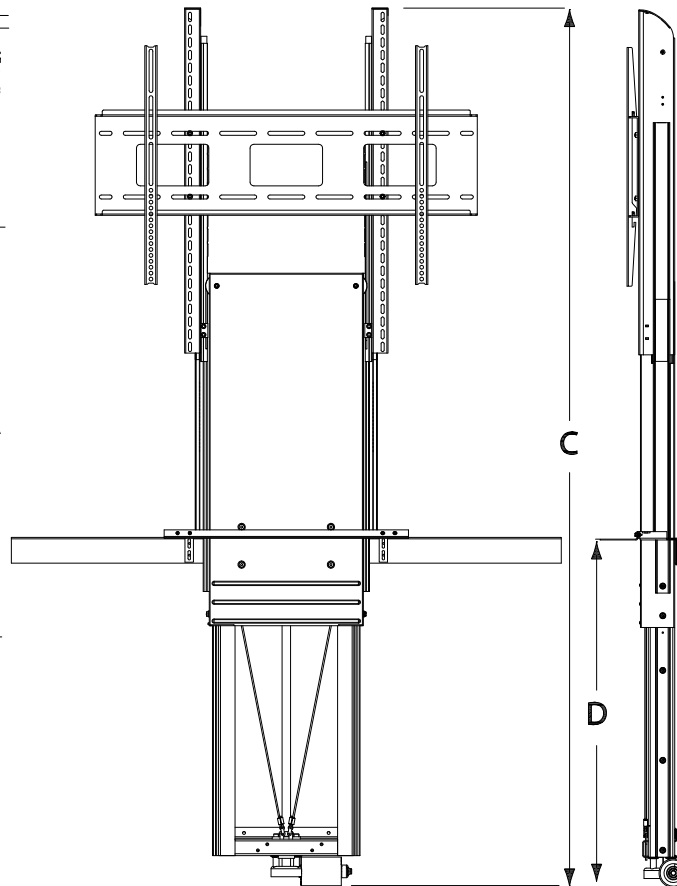
## Dimensions



### Dims/No Extensions

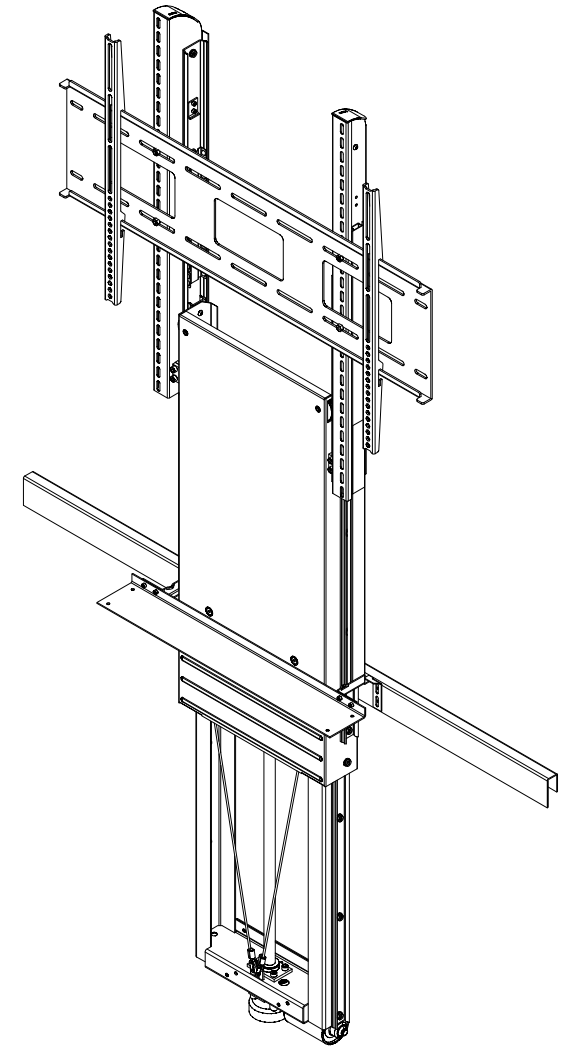
Model	Dim A	Dim B
FSL-F-50	29 3/4"	46 1/16"

## Dimensions-with Extensions



### Dims/With Extensions

Model	Dim C	Dim D
FSL-F-50	73 1/2"	29"



# DRAPER

## FlatScreen Lift

DRAPER, Inc., 411 S. Pearl Street, Spiceland, Indiana 47385  
 EMAIL drapercontract@draperinc.com, PH 765-987-7999, FAX 866-637-5611