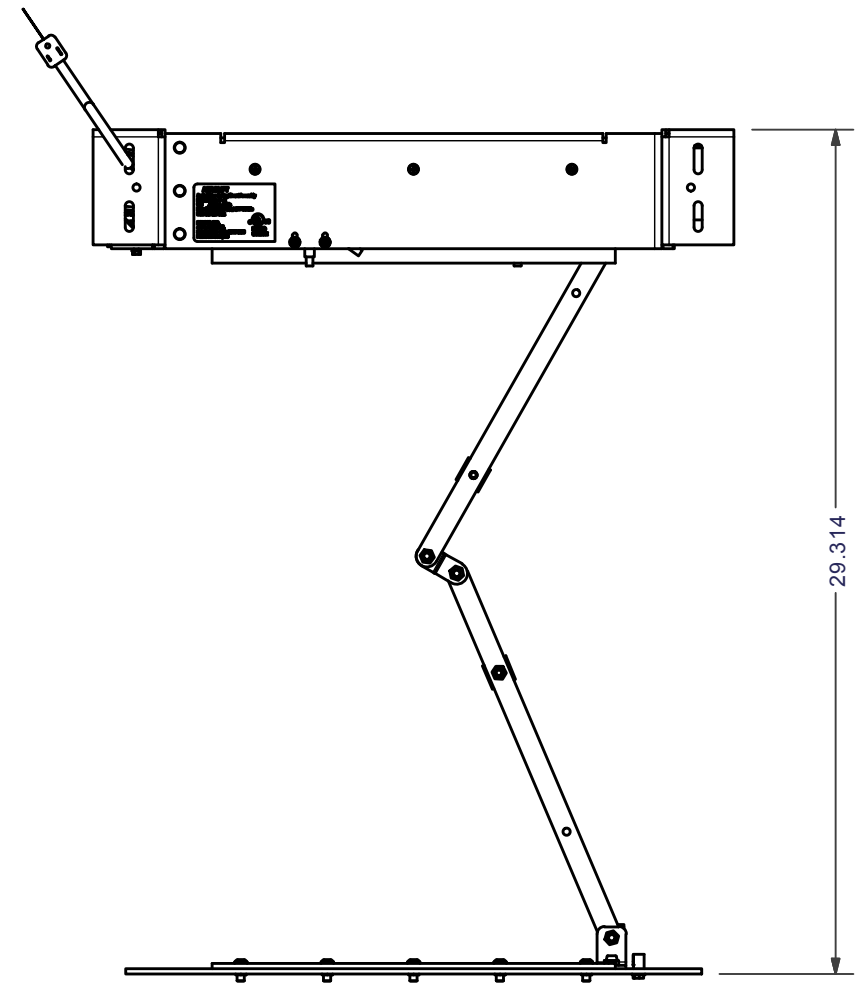
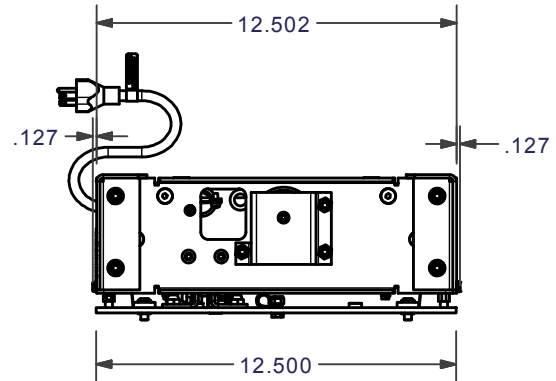
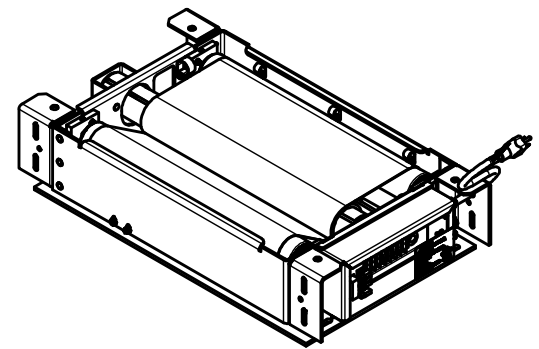
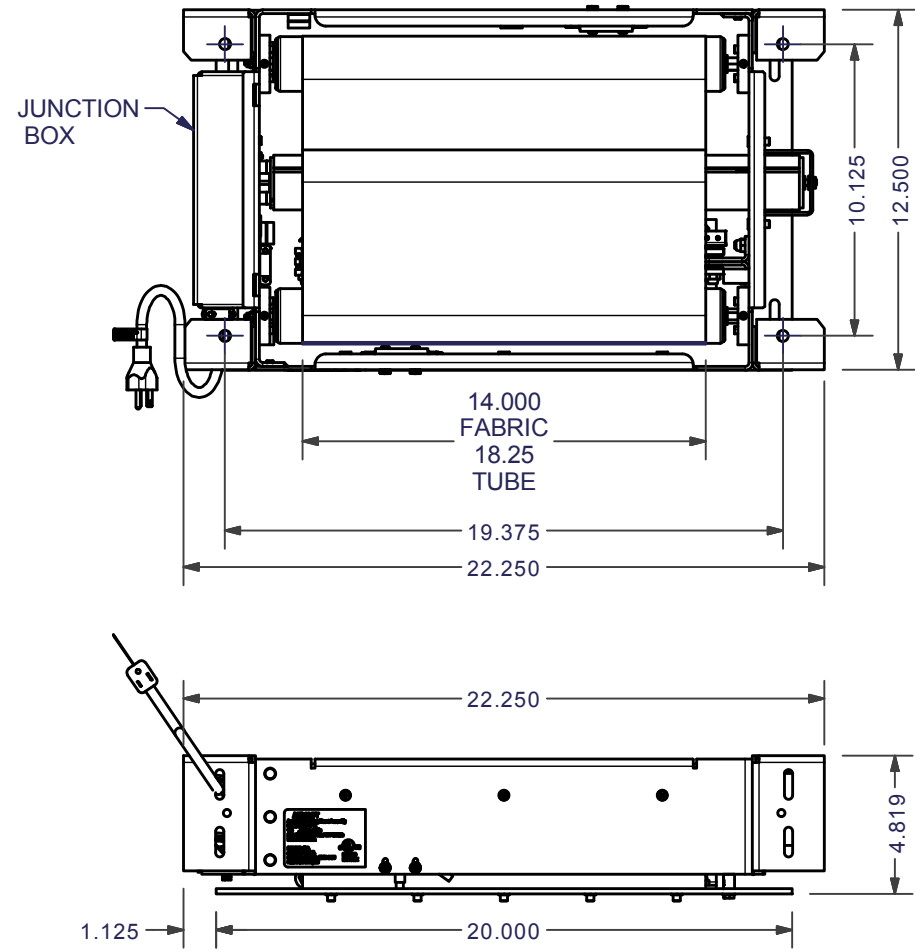


4


3

2

1



AeroLift 35

TOLERANCES UNLESS NOTED 2 PLC. DECIMAL: ±.01" 3 PLC. DECIMAL: ±.005" ANGULAR: ±1° FRACTIONAL: ±1/32"	DESIGNED BY: senochs	4/29/2015		DRAPER, INC. 411 S. PEARL STREET SPICELAND, INDIANA 47385-0425 www.draperinc.com	
	DRAWN BY: senochs	11/24/2015		TITLE: AEROLIFT 35 UL	
	CHECKED BY:		MATERIAL:		
	MFG APPD BY:		PAPER SIZE: B	FINISH:	
ENG APPD BY:		SCALE:	REV: SHEET: 1	DWG NO. - PART NO.	
PROPRIETARY DRAWING NOTICE: THIS DOCUMENT CONTAINS CONFIDENTIAL, PROPRIETARY INFORMATION OF DRAPER, INC., IS THE PROPERTY OF DRAPER, INC., AND MUST BE RETURNED UPON REQUEST. NEITHER RECEIPT NOR POSSESSION THEREOF CONFERS ANY RIGHT TO OWN, REPRODUCE, USE, OR DISCLOSE IN WHOLE OR IN PART, ANY SUCH INFORMATION WITHOUT WRITTEN AUTHORIZATION FROM DRAPER, INC.			OF: 5	300319 - 300320	

REV	DATE	ECO	BY	DESCRIPTION
REVISION HISTORY				

4

3

2

1