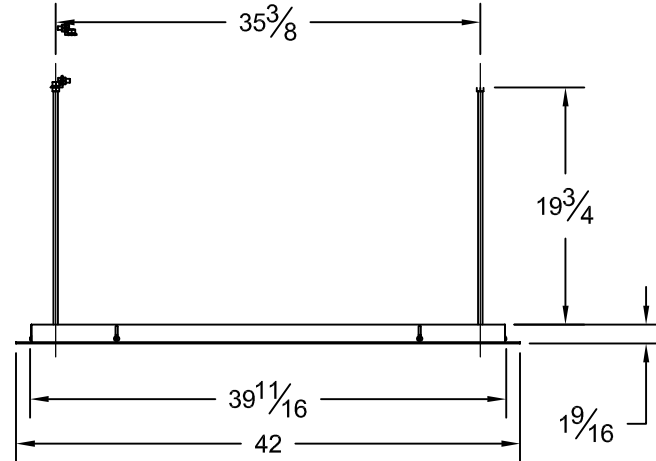
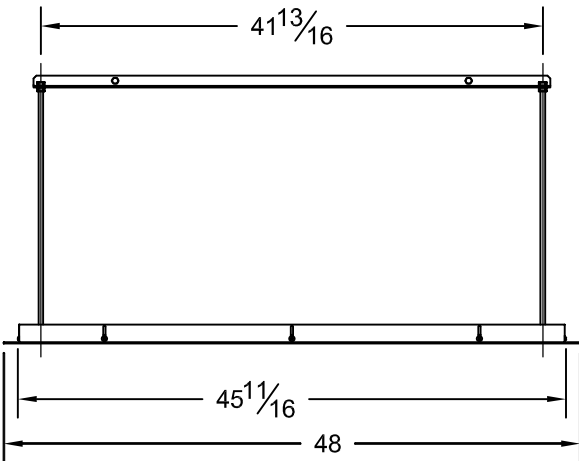
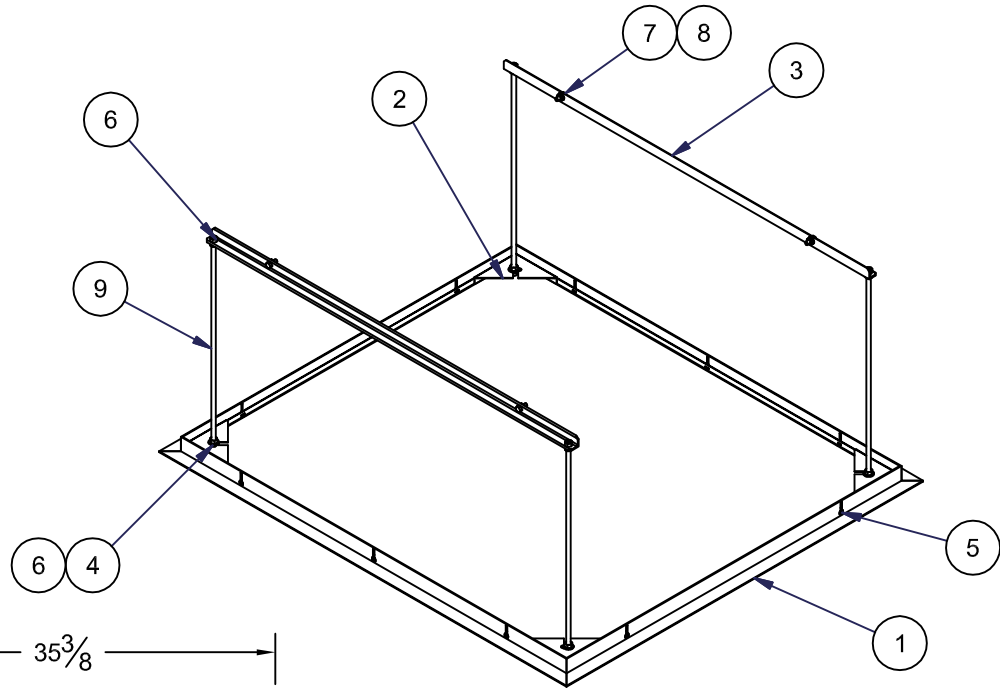
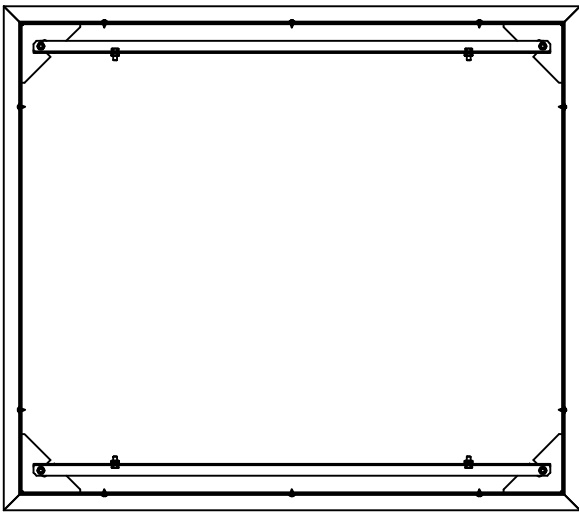


Parts List			
ITEM	QTY	PART NUMBER	DESCRIPTION
1	1	C028.624.07SA	Frame, SLXR Closure Trim
2	1	C044.205.07SA	Panel, SLXR Assembled Closure
3	2	C002.932.07SA	BRACKET, SLXR CLOSURE
4	8	C013.050	Washer .375 I.D. x .875 O.D. x .064"TK GRD 2 Zinc Flat
5	10	C020.082	SCREW, 10-16 X 1/2" 6 LOBE TRUSS HEAD AB E-WHITE
6	16	C018.027	NUT, 3/8-16 HEX GRD 2 NSF
7	4	C020.322	Screw, 5/16 - 18 x 3/4" Long Grade 5 HH Zinc
8	4	C018.045	NUT 5/16-18 ZINC HEX KEPS
9	4	C077.037.49	Rod, Threaded 3/8-16 x 21 3/8" L Zinc



<b>DRAPER</b>		DRAPER Inc. 411 S. Pearl St. Spiceland, Indiana	
		Title <b>SLXR CEILING CLOSURE PANEL</b>	
		Sheet 1 of 1	
Scale <b>3/4"=1'</b>	Date <b>7/5/2012</b>	Part NO. <b>300294</b>	