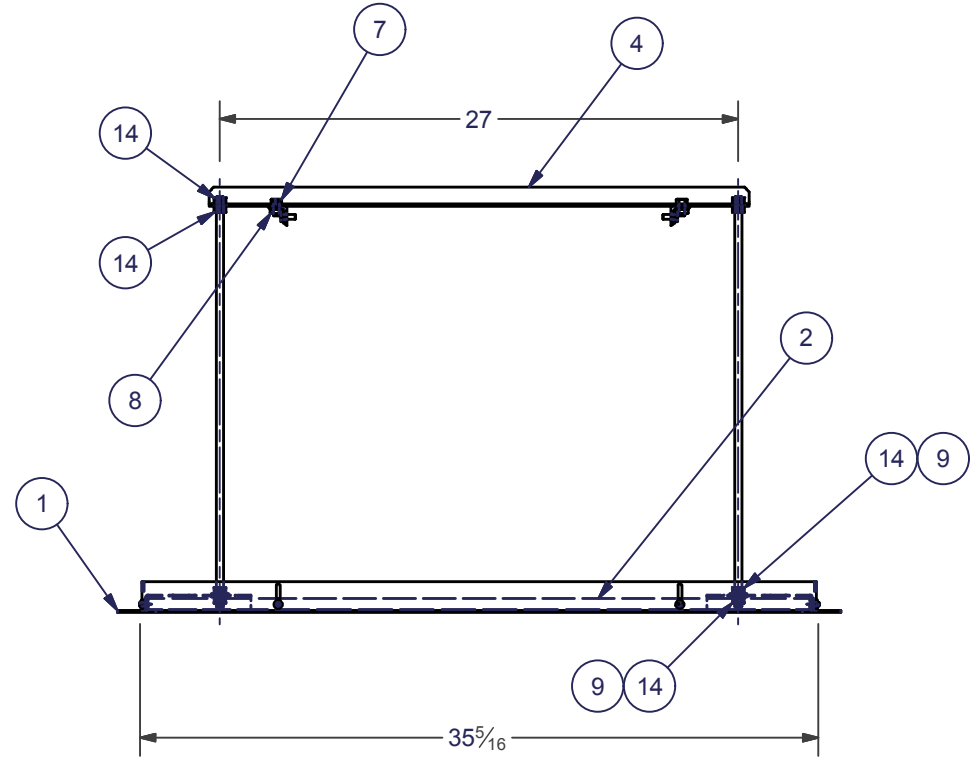
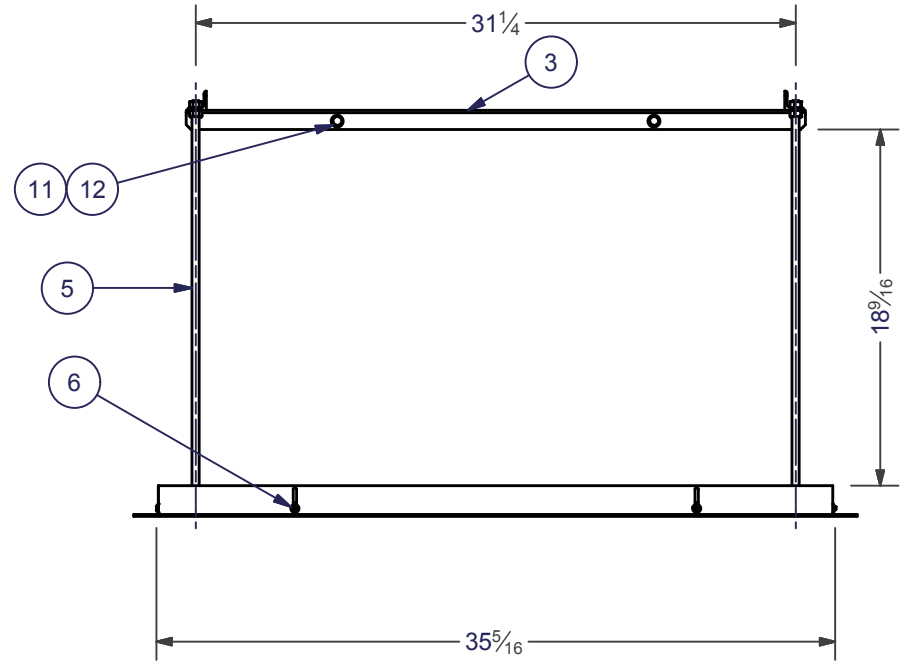
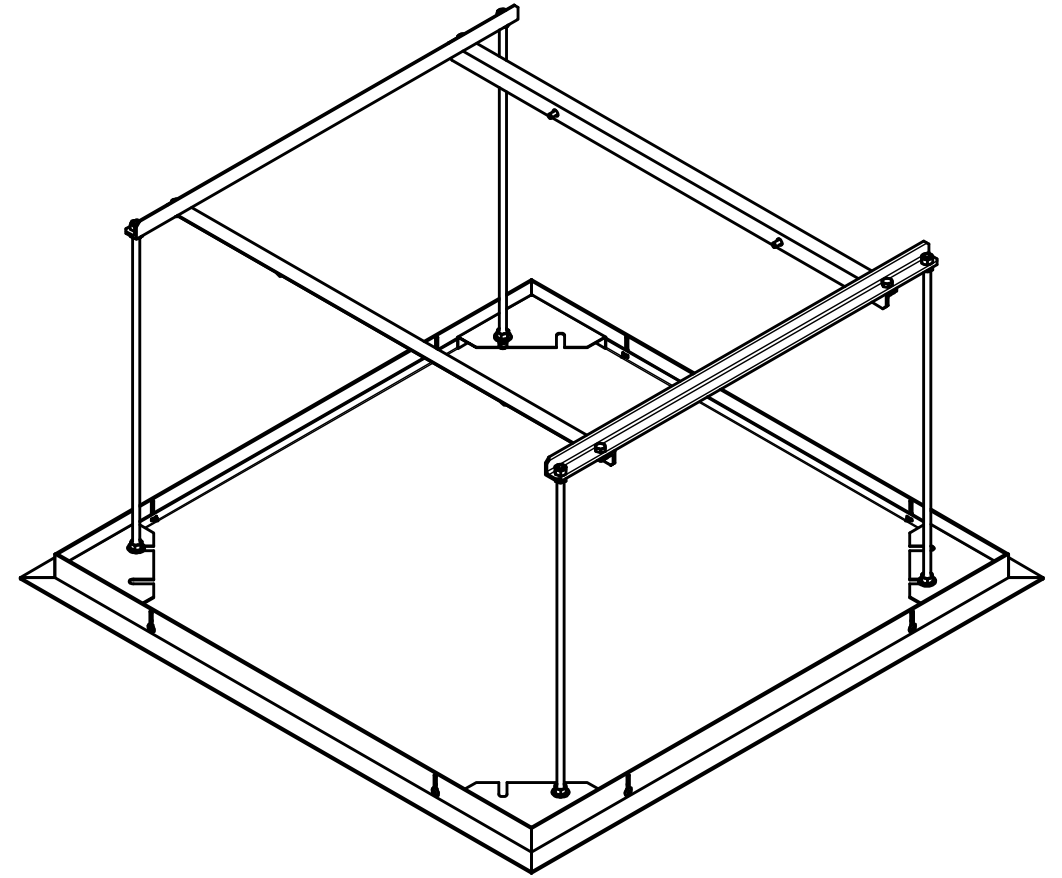
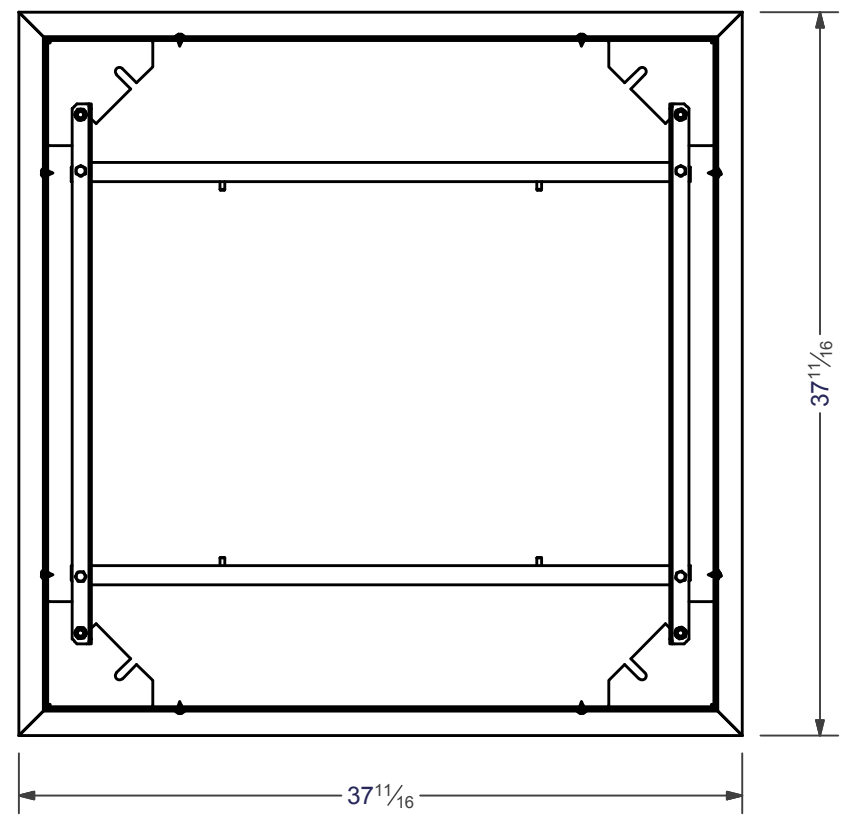


B

B



SIDE

FRONT/BACK

ITEM	QTY	PART NUMBER	DESCRIPTION
1	1	C028.615.07SA	FRAME, U CLOSURE TRIM
2	1	C044.204.07SA	Panel, U Closure
3	2	C002.923.07SA	BRACKET, U END ANGLE
4	2	C002.922.07SA	BRACKET, U FRONT/BACK ANGLE
5	4	C077.037.49	Rod, Threaded 3/8-16 x 21 3/8" L Zinc
6	8	C020.082	SCREW, 10-16 X 1/2" 6 LOBE TRUSS HEAD AB E-WHITE
7	4	C020.321	SCREW 5/16-18X5/8 HEX HD CAP GR5 ZINC
8	4	C018.045	NUT 5/16-18 ZINC HEX KEPS
9	8	C013.050	Washer .375 I.D. x .875 O.D. x .064"TK GRD 2 Zinc Flat
11	4	C020.152	SCREW .25-20 X .625 HEX HD GRD2 ZINC CAP PART1
12	4	C013.033	WASHER, 1/4" FLAT
14	16	C018.027	NUT, 3/8-16 HEX GRD 2 NSF

A

A

<b>TOLERANCES UNLESS NOTED</b> 2 PLC. DECIMAL: ±.01" 3 PLC. DECIMAL: ±.005" ANGULAR: ±1° FRACTIONAL: ±1/32"	DESIGNED BY: senochs	9/7/2010
	DRAWN BY: senochs	9/8/2010
	CHECKED BY:	
	MFG APPD BY:	
ENG APPD BY:		
PROPRIETARY DRAWING NOTICE: THIS DOCUMENT CONTAINS CONFIDENTIAL, PROPRIETARY INFORMATION OF DRAPER, INC., IS THE PROPERTY OF DRAPER, INC., AND MUST BE RETURNED UPON REQUEST. NEITHER RECEIPT NOR POSSESSION THEREOF CONFERS ANY RIGHT TO OWN, REPRODUCE, USE, OR DISCLOSE IN WHOLE OR IN PART, ANY SUCH INFORMATION WITHOUT WRITTEN AUTHORIZATION FROM DRAPER, INC.		

DRAPER, INC. 411 S. PEARL STREET SPICELAND, INDIANA 47385-0425 www.draperinc.com	
MATERIAL:	
PAPER SIZE: B	FINISH:
SCALE: NONE	REV: SHEET: 1 OF: 1
DWG NO. - PART NO. 300292	

REV	DATE	ECO	BY	DESCRIPTION
REVISION HISTORY				