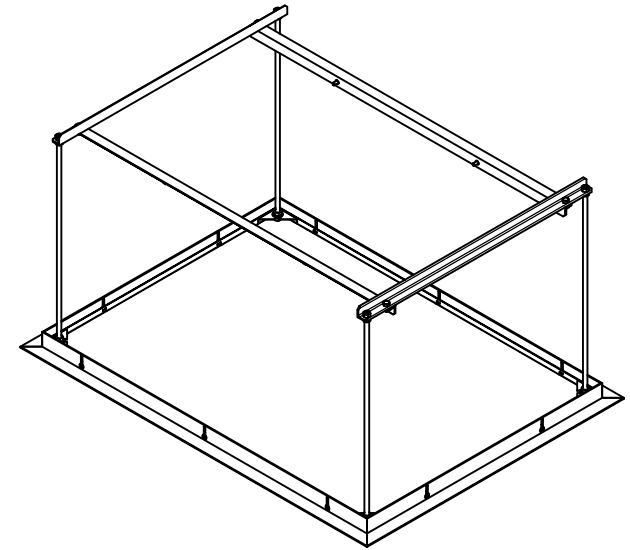
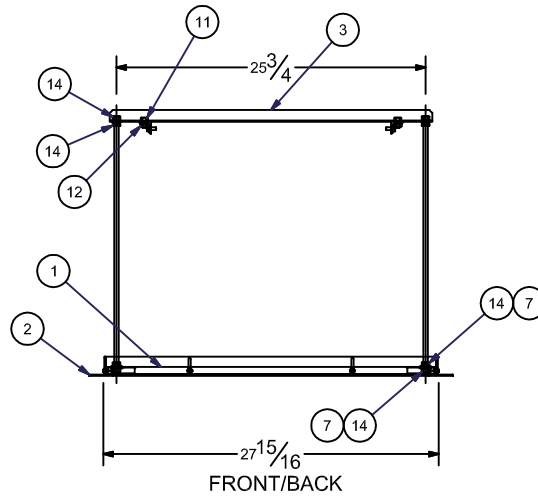
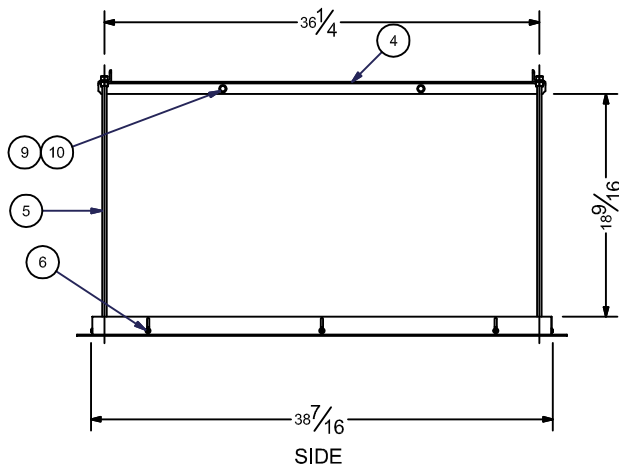
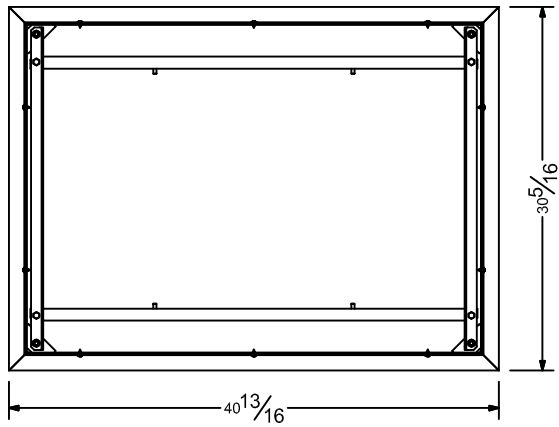


ITEM	QTY	PART NUMBER	DESCRIPTION
1	1	C044.199.07SA	PANEL, E ASSEMBLED CLOSURE
2	1	C028.619.07SA	FRAME, E TRIM
3	2	C002.920.07SA	BRACKET, E FRONT/BACK ANGLE
4	2	C002.921.07SA	BRACKET, E END ANGLE
5	4	C077.037	Rod, Threaded 3/8-16 x 21 3/8" L Zinc
6	10	C020.558	SCREW, 10-16 X 1/2" 6 LOBE TRUSS HEAD AB E-WHITE
7	8	C013.050	Washer, .375 I.D. x .875 O.D. x .064"TK GRD 2 Zinc Flat
9	4	C020.152	SCREW .25-20 X .625 HEX HD GRD2 ZINC CAP PART1
10	4	C013.033	WASHER, 1/4" FLAT
11	4	C020.321	SCREW 5/16-18X5/8 HEX HD CAP GR5 ZINC
12	4	C018.045	NUT 5/16-18 ZINC HEX KEPS
14	16	C018.027	NUT, 3/8-16 HEX GRD 2 NSF



DRAPER

DRAPER Inc.
411 S. Pearl St.
Spiceland, Indiana

Title
E Ceiling Closure Panel

Sheet 1 of 1

Scale
 $3/4"=1'$

Date
7/6/2012

Part NO.
300290