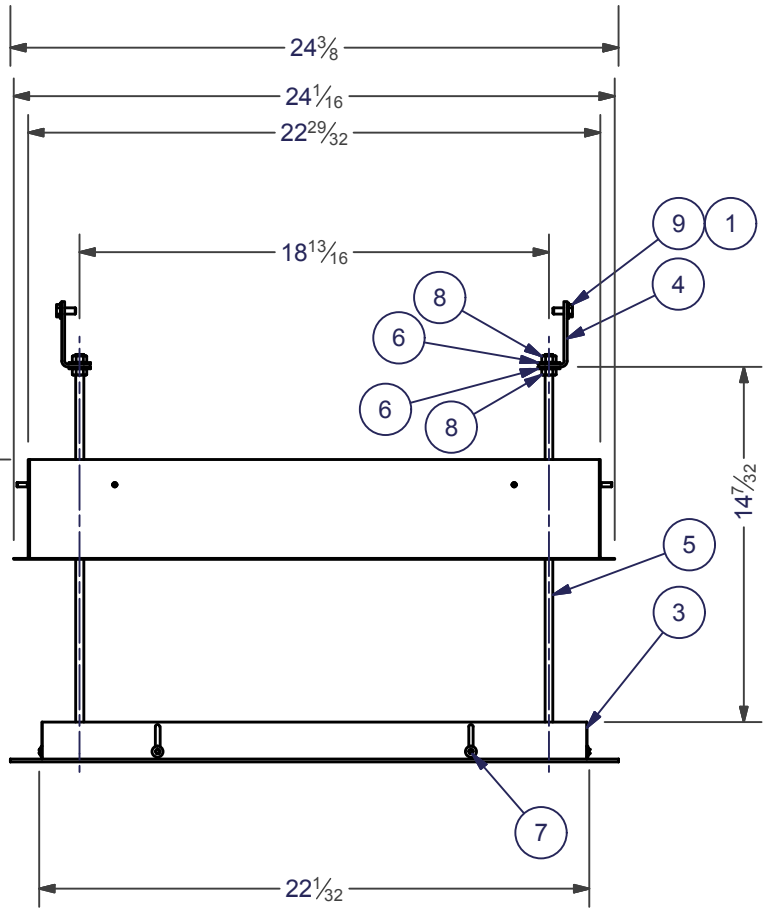
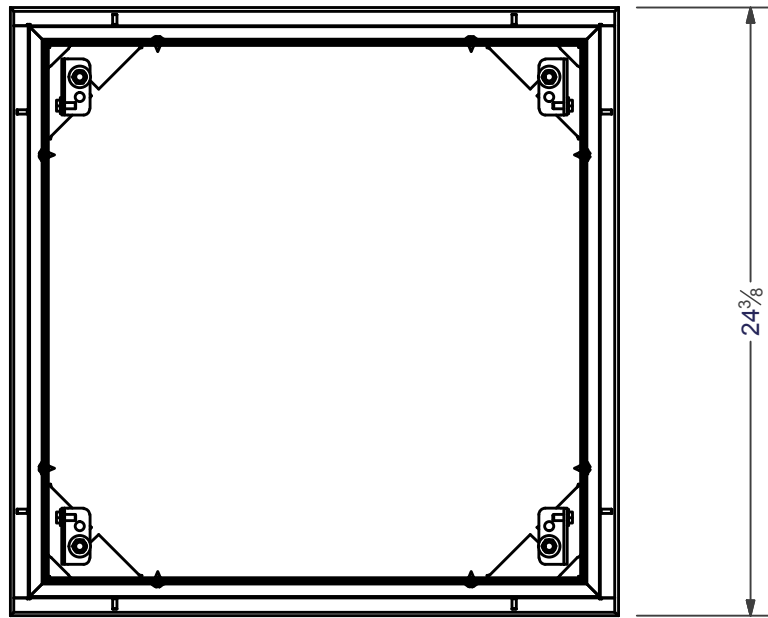
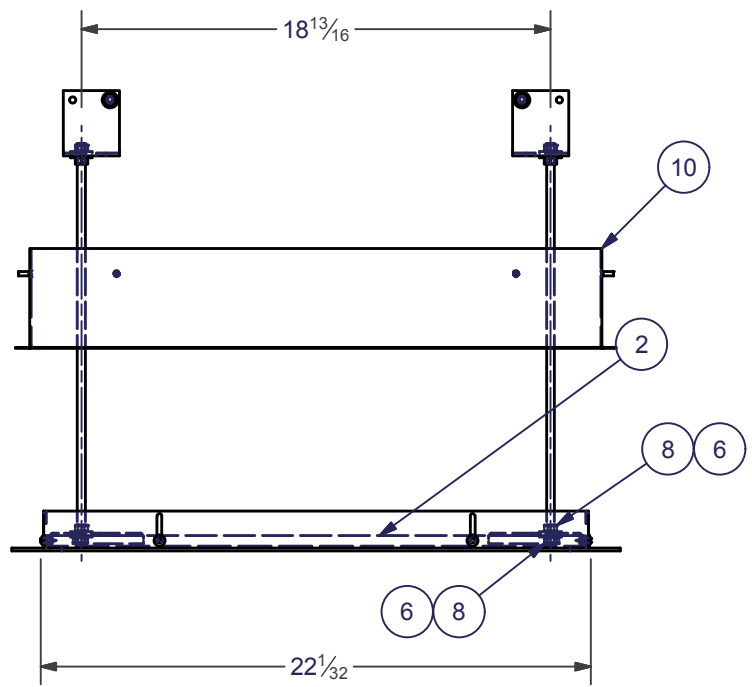


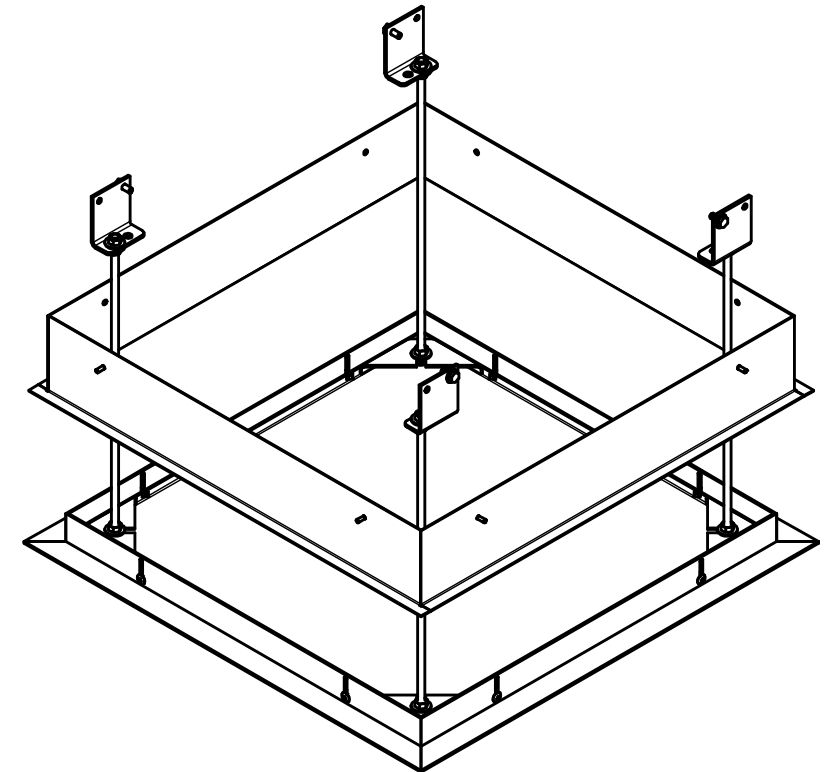
B



FRONT/BACK




SIDE



B

ITEM	QTY	PART NUMBER	DESCRIPTION
1	4	C013.033	WASHER, 1/4" FLAT
2	1	C044.184.07SA	Panel, SL Closure
3	1	C028.573.07SA	Frame, SL Closure Trim
4	4	C002.889.07SA	Bracket, SL Closure Mounting
5	4	C077.052	Rod, Threaded 5/16-18 x 16" L Zinc
6	16	C013.050	Washer .375 I.D. x .875 O.D. x .064"TK GRD 2 Zinc Flat
7	8	C020.082	SCREW, 10-16 X 1/2" 6 LOBE TRUSS HEAD AB E-WHITE
8	16	C018.028	NUT 5/16-18 ZINC GRADE 2 HEX
9	4	C020.152	SCREW .25-20 X .625 HEX HD GRD2 ZINC CAP PART1
10	1	C028.608.07SA	Frame, SL Trim Ring

<p>TOLERANCES UNLESS NOTED</p> <p>2 PLC. DECIMAL: ±.01" 3 PLC. DECIMAL: ±.005" ANGULAR: ±1° FRACTIONAL: ±1/32"</p>	DESIGNED BY: hseib	4/29/2010	 <p>DRAPER, INC. 411 S. PEARL STREET SPICELAND, INDIANA 47385-0425 www.draperinc.com</p>
	DRAWN BY: senochs	8/20/2010	
	CHECKED BY:		
	MFG APPD BY:		
PROPRIETARY DRAWING NOTICE: THIS DOCUMENT CONTAINS CONFIDENTIAL, PROPRIETARY INFORMATION OF DRAPER, INC., IS THE PROPERTY OF DRAPER, INC., AND MUST BE RETURNED UPON REQUEST. NEITHER RECEIPT NOR POSSESSION THEREOF CONFERS ANY RIGHT TO OWN, REPRODUCE, USE, OR DISCLOSE IN WHOLE OR IN PART, ANY SUCH INFORMATION WITHOUT WRITTEN AUTHORIZATION FROM DRAPER, INC.			TITLE: SL Ceiling Finish Kit
MATERIAL:			PAPER SIZE: B FINISH:
REVISION HISTORY			SCALE: NONE REV: SHEET: 1 OF: 1 DWG NO. - PART NO. 300286

A

A

REV	DATE	ECO	BY	DESCRIPTION
REVISION HISTORY				