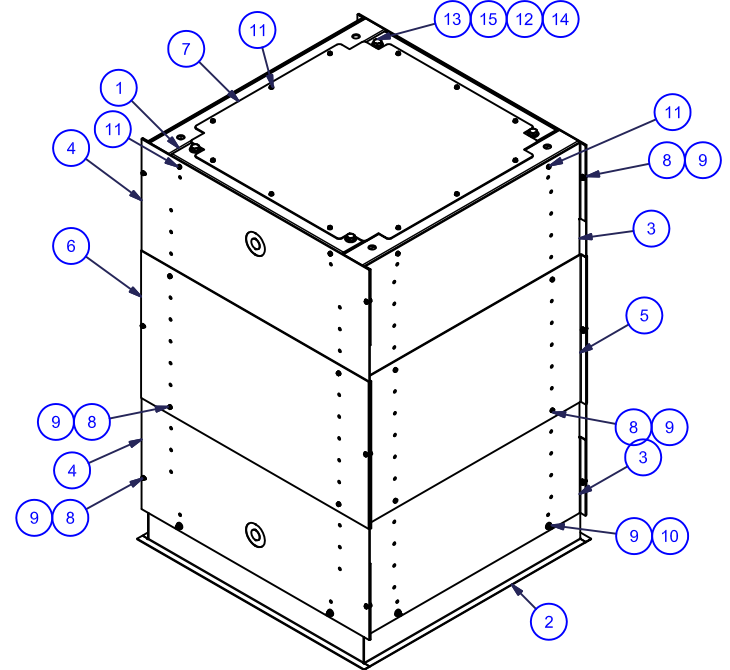
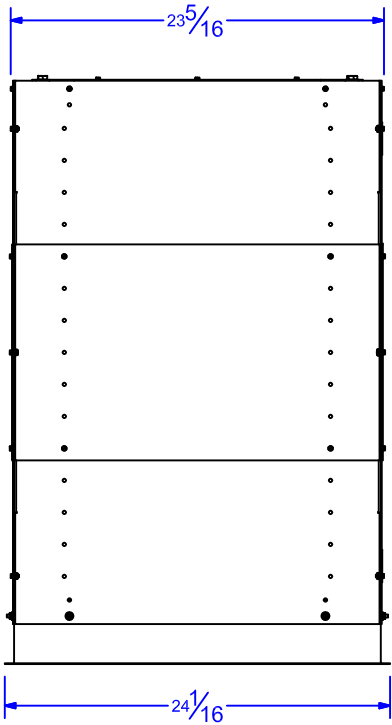
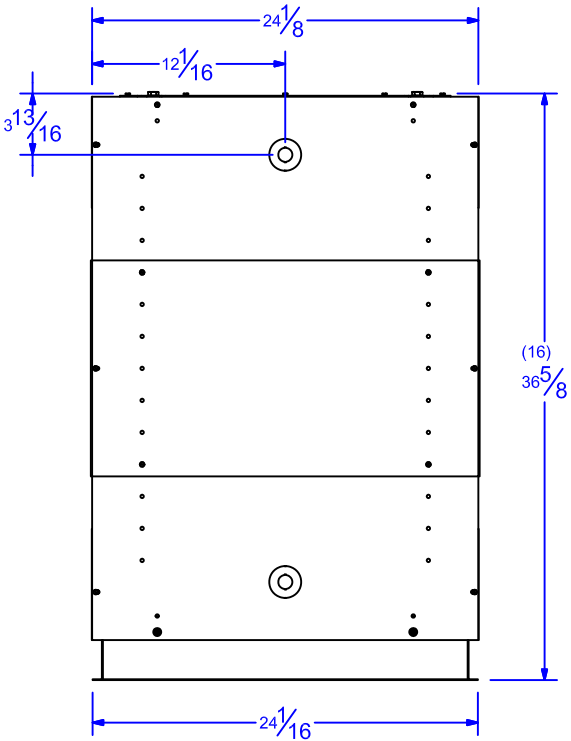
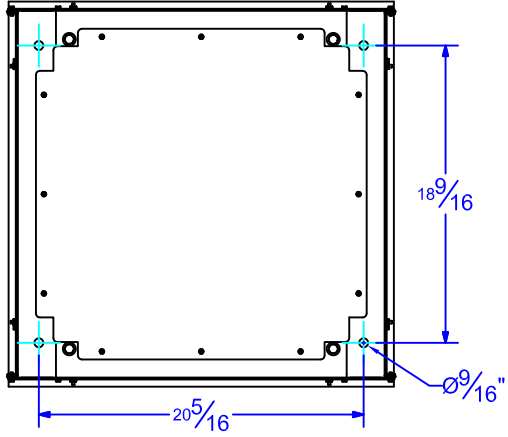



ITEM	QTY	PART NUMBER	DESCRIPTION
1	1	C028.607.01SA	Frame, SL Plenum
2	1	C028.608.07SA	Frame, SL Trim Ring
3	4	C044.189SA	Panel, SL Plenum Side
4	4	C044.187SA	Panel, SL Plenum End
5	2	C044.188SA	Panel, SL Middle Side
6	2	C044.186SA	Panel, SL Plenum Middle End
7	1	C095.129SA	Cover, SL Plenum
8	28	C020.325	SCREW, 8-32X3/8 TYPE 1 HWH
9	36	C018.051	NUT #8-32 ZINC HEX KEPS
10	8	C013.070	Washer, .188 I.D. x .5 O.D. x .07 TK Nylon Flat
11	20	C020.112	SCREW, 8-32X3/8 TYPE F HWH
12	4	C002.919.07SA	BRACKET, SL PLENUM ATTACH
13	4	C020.313	SCREW 3/8-16x1" GR 5 ZINC HEX HEAD CAP
14	4	C018.044	NUT 3/8-16 ZINC HEX KEPS
15	4	C013.024	WASHER, 3/8" FLAT



NOTES:
1. COMPRESSED HEIGHT = 16 in.

		DRAPER Inc. 411 S. Pearl St. Spiceland, Indiana	
		Title SL Environmental Air Space	
		Sheet 1 of 1	
Scale 3/4" = 1'	Date 7/6/2012	Part NO. 300282	