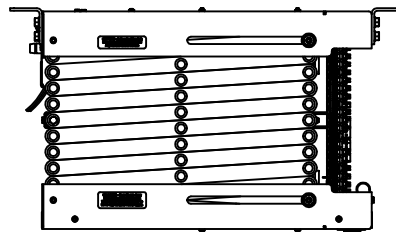
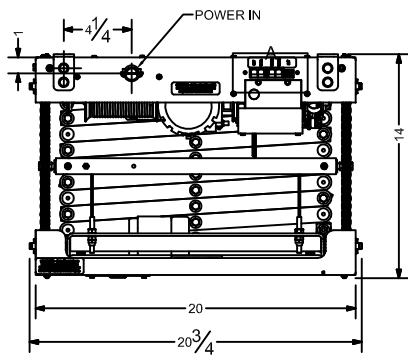


DETAIL A



NOTES:
110 VOLT LIFT PN 300273
220 VOLT LIFT PN 300277
EXTENDED HEIGHT 134 1/8 IN.

DRAPER DRAPER Inc.
411 S. Pearl St.
Spiceland, Indiana

Title SL 10 SCISSOR LIFT

Sheet 1 of 1

Scale 1"=1'

Date 7/5/2012

Part NO.