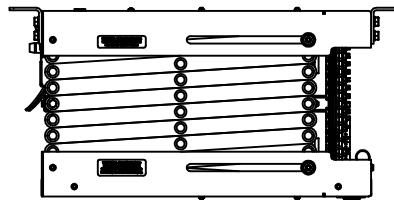
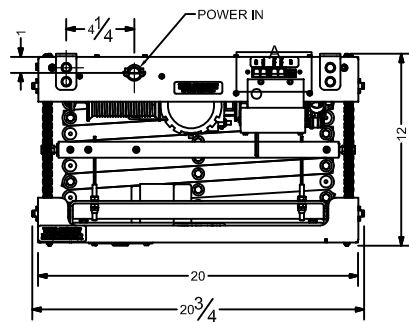


DETAIL A



NOTES:
 110 VOLT LIFT PN 300272
 220 VOLT LIFT PN 300276
 EXTENDED HEIGHT 108 1/8 IN.

		DRAPER Inc. 411 S. Pearl St. Spiceland, Indiana	
		Title SL 8 SCISSOR LIFT	
		Sheet 1 of 1	
Scale $1"=1'$	Date 7/5/2012	Part NO.	