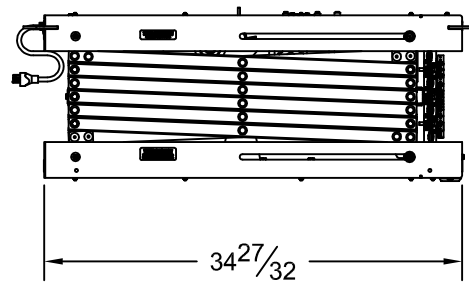
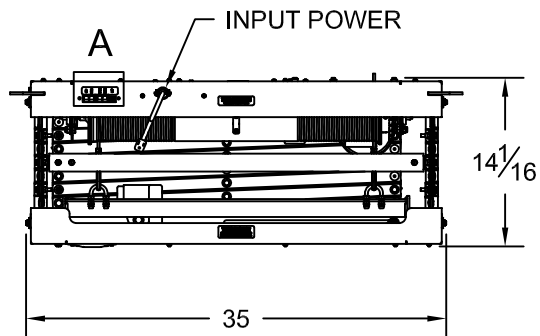
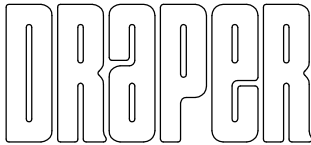


DETAIL A



NOTES:
110 VOLT LIFT PN 300250
220 VOLT LIFT PN 300257

EXTENDED HEIGHT: 11 FT. 2 1/16 IN.

		DRAPER Inc. 411 S. Pearl St. Spiceland, Indiana	
		Title SLX 10 SCISSOR LIFT	
		Sheet 1 of 1	
Scale 3/4"=1'	Date 7/5/2012	Part NO.	