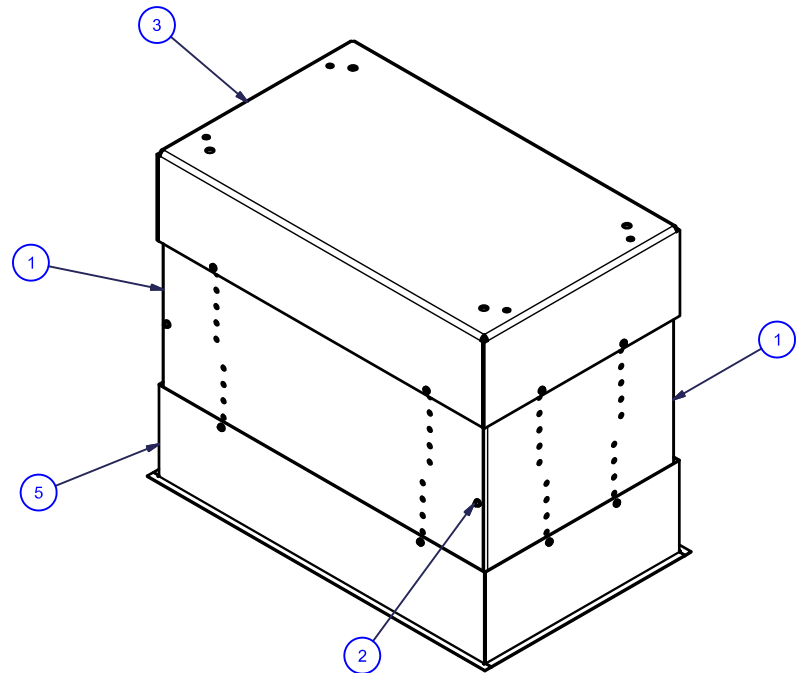


ITEM	QTY	PART NUMBER	DESCRIPTION
1	2	C044.110SA	Panel, Plenum Formed Side
2	20	C020.070	SCREW, #10-32 TYPE F x 3/8" LG SLOTTED HEX HD
3	1	C237.020SA	PAN, PLENUM TOP
4	2	C044.091SA	PANEL, PLENUM FLAT SIDE
5	1	C028.261.07SA	FRAME, PLENUM COLLAR



DRAPER DRAPER Inc.
411 S. Pearl St.
Spiceland, Indiana

Title
Environmental Air Space

Sheet 1 of 1

Scale 1 1/2" = 1' Date 5/22/2014 Part NO. 300222