

Wall Pad Cutout Trim Kit

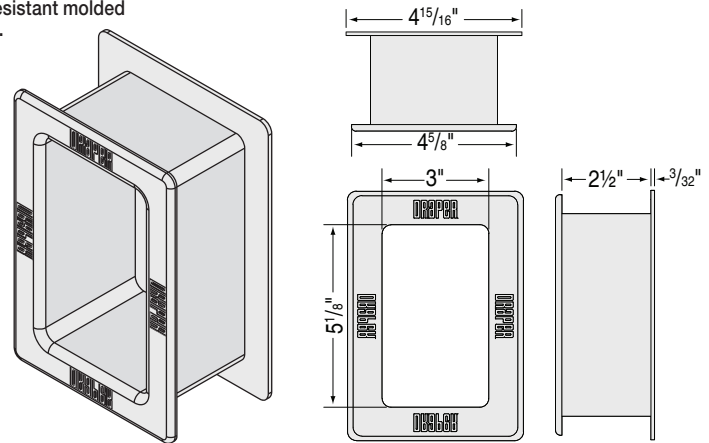
Specifications -

Wall Pad Cutout Trim Kit provides for a neat and clean answer to accessing receptacles and wall switches on surfaces that are to be padded. Wall Pad Cutout Trim Kit is constructed of flexible flame-resistant molded urethane material. Trim kits are easily installed in field and secured with adhesive and staples.

504690 / 504691—3" x 5" Wall Pad Cutout Trim Kit

3" x 5" Wall Pad Cutout Kits fit single gang openings.

Available in grey (PART NO. 504690) or black (PART NO. 504691).



3" x 5" Wall Pad Cutout

504700 / 504701—7" X 7" Wall Pad Cutout Trim Kit

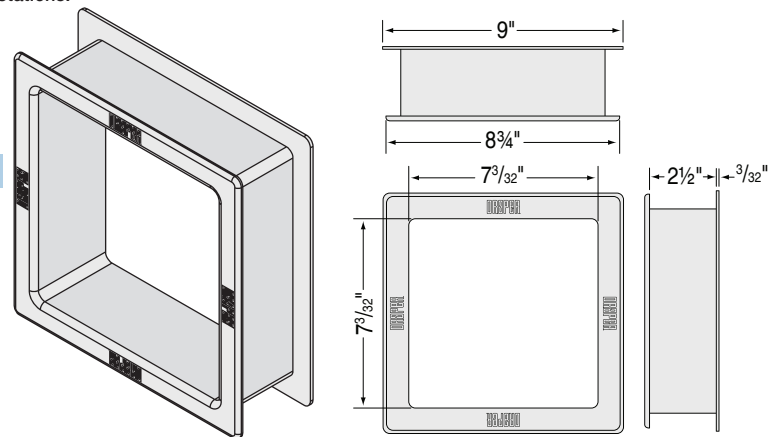
7" x 7" Wall Pad Cutout Kits fit dual gang openings as well as standard fire alarm pull stations.

Available in grey (PART NO. 504700) or black (PART NO. 504701).

DOWNLOADABLE 3-PART SPECIFICATIONS: available at www.draperinc.com

Please note: Dimensions at manufacturer's discretion.

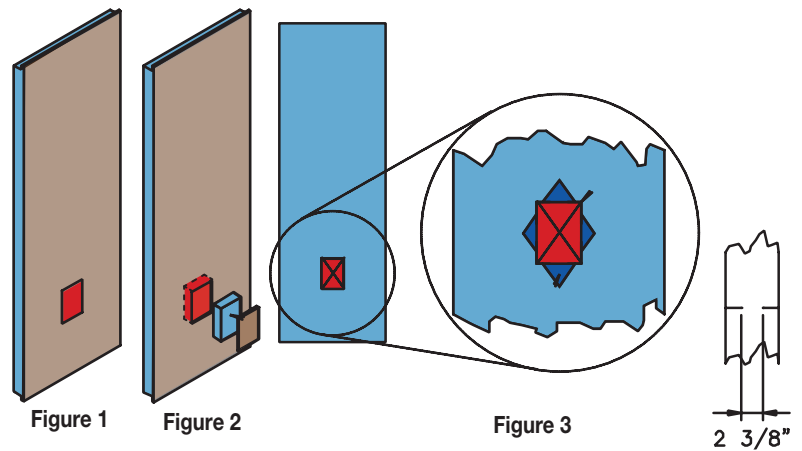
- | | |
|---|-----------------|
| <input type="checkbox"/> 504690 - 3" x 5" - Grey | How Many? _____ |
| <input type="checkbox"/> 504691 - 3" x 5" - Black | How Many? _____ |
| <input type="checkbox"/> 504700 - 7" x 7" - Grey | How Many? _____ |
| <input type="checkbox"/> 504701 - 7" x 7" - Black | How Many? _____ |



7" x 7" Wall Pad Cutout

Installation Instructions

1. Locate cutout on back side of pad and carefully mark the inside dimensions of cutout being used so the receptacle, switch, etc. are located at the center.
2. Using a keyhole saw or jig-saw, cut along marked lines with saw blades and remove backer board. When cutting backer board, ensure you remove marked lines with saw to allow for wall thickness of cutout kit.
3. Using an electric carving knife or sharp utility knife, carefully cut and remove the foam using the opening in the backer board as a guide. **USE CAUTION TO NOT CUT VINYL.**
4. X-cut vinyl from corner and pull points to backer board and staple.
5. Insert Wall Pad Cutout Trim Kit into opening with the smaller beveled edge facing the front.
6. Apply adhesive to the inside of the Wall Pad Cutout Kit channel to adhere it to vinyl and foam and staple rear flange to backer board.



If you have any difficulties installing or servicing your Draper Gym Equipment, call your dealer or Draper, Inc.