

# Wall Pad Large Cutout Trim Kit

*Please check all appropriate selections.*

## Specifications

**WALL PAD LARGE CUTOUT TRIM KITS** provide a neat and clean answer to working around large items like fire extinguishers, drinking fountains or similar fixtures that are mounted on surfaces to be padded. Large Cutout Kits consist of molded inside corners, outside corners, straight strips and splices to allow for almost any size and shape of cutout necessary. Straight Strips and Corners are molded from a custom flame resistant thermoplastic elastomer formulation and have a Shore-A durometer hardness of approximately 89. Strips and corners can be field cut to exact required dimensions to ensure a pleasing appearance. Cutout kits are available in light gray or black. Cutouts are designed to accommodate any wall pad with the standard 2<sup>7</sup>/<sub>16</sub>" thickness.

**PATENT INFORMATION:**  
available at [www.draperinc.com/legal/patents](http://www.draperinc.com/legal/patents)

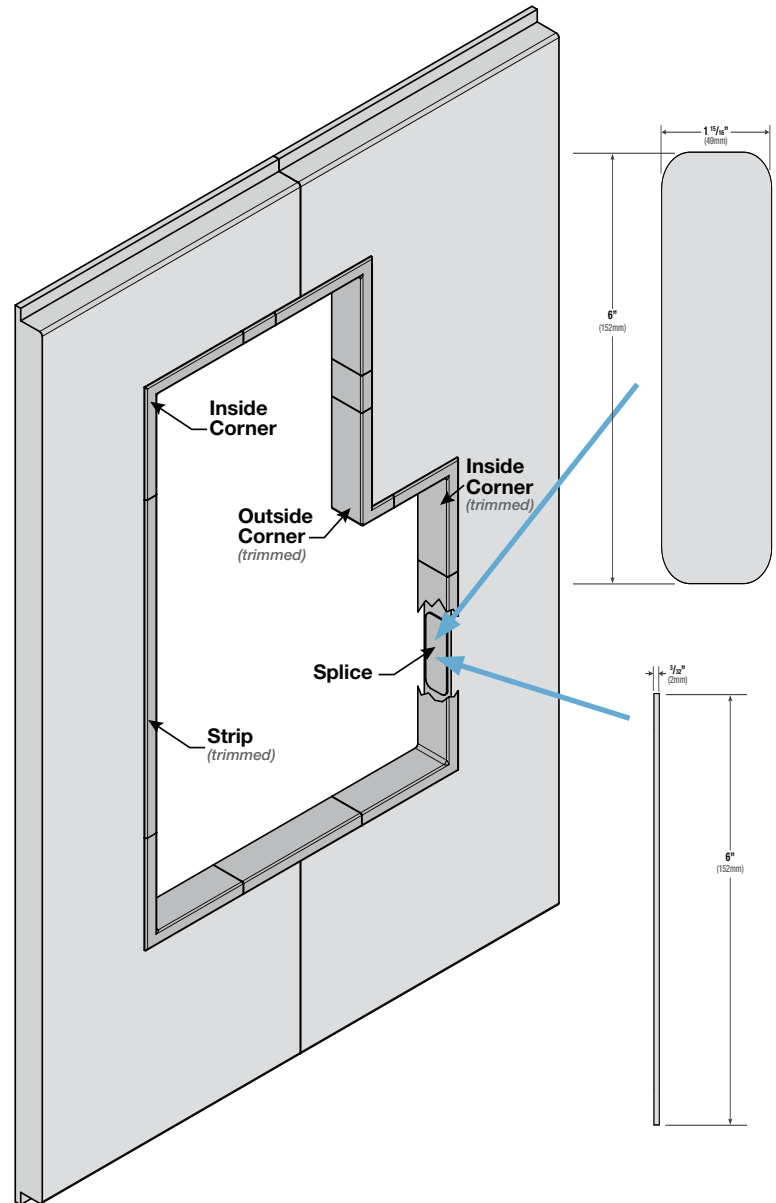
**DOWNLOADABLE 3-PART SPECIFICATIONS:**  
available at [www.draperinc.com](http://www.draperinc.com).

*Please note:* Dimensions at manufacturer's discretion.

- 504692** Inside Corner - Grey
- 504693** Inside Corner - Black
- 504694** Outside Corner - Grey
- 504695** Outside Corner - Black
- 504696** Trim Kit Strip, 30" - Grey
- 504697** Trim Kit Strip, 30" - Black
- 504698** Trim Kit Splice (Pkg of 8)

## Please Mark Appropriate Selections

- 504692 Grey      How Many? \_\_\_\_\_
- 504693 Black      How Many? \_\_\_\_\_
- 504694 Grey      How Many? \_\_\_\_\_
- 504695 Black      How Many? \_\_\_\_\_
- 504696 Grey      How Many? \_\_\_\_\_
- 504697 Black      How Many? \_\_\_\_\_
- 504698 (8 per pkg.)      How Many? \_\_\_\_\_



Draper, Inc. | 411 S. Pearl St. Spiceland, IN 47385  
draperinc.com | 765.987.7999 | 800.238.7999

© 2018 All Rights Reserved | FORM: Large\_WallPadCutOutKit\_Sub18

PROJECT: \_\_\_\_\_

ARCHITECT: \_\_\_\_\_

CONTRACTOR: \_\_\_\_\_

SUPPLIER: \_\_\_\_\_

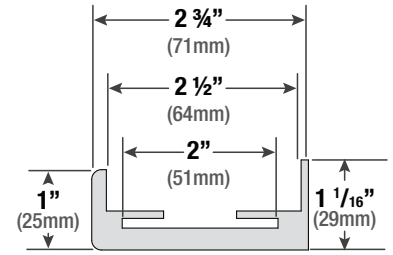
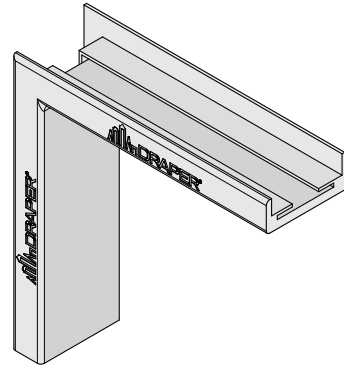
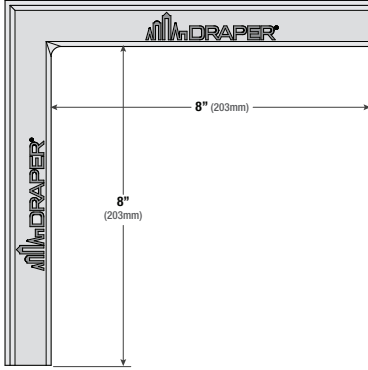
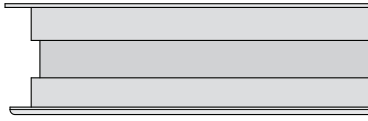
DATE: \_\_\_\_\_ REVISED: \_\_\_\_\_

# Wall Pad Large Cutout Trim Kit

## Component Dimensions

### Inside Corner

Shown with splices



### Outside Corner

Shown with splices

