

# EZ-Sharpshooter 66 Portable Basketball System - 503018

## Specifications

### Product Description

\_\_\_\_\_ Portable Basketball System shall be provided by Draper, Inc., of Spiceland, IN.

**EZ-Sharpshooter 66 Portable Basketball System** shall provide a competition size 42" x 72" glass backboard and 180° breakaway goal on a fully padded portable base. Face of backboard shall be 66" from the front of the padded base when rim is set at 10' playing height. Backboard shall be 1/2" tempered glass with official white border and target and extruded aluminum frame. Backboard shall be designed so that the basketball rim mounts through the glass into the horizontal extension of the base to reduce stress on the glass during play.

**Rim** shall have tube-tie net attachment.

**Backboard padding** shall be bolt-on molded urethane with steel inserts molded into the padding. Padding shall be available in choice of 12 colors.

**Backboard and goal shall be suspended** by means of a pivoting, welded steel structure that uses extension spring technology to counterbalance the weight of the backboard and goal to raise and lower the goal for play and storage. Primary structural steel components shall be a minimum of 4" x 4" and 4" x 2" tubing with a minimum 1/4" wall thickness. All pivot points to facilitate lowering for storage shall be 1 1/4" steel pivot pins riding on self lubricating bronze bearings. Welded base shall provide a fully enclosed ballast compartment that is properly loaded with steel ballast at the factory.

**Goal shall be raised and lowered** by one person and locked at the desired rim height or storage position by means of a telescoping height adjustment mechanism that has permanent rim height markings. Rim shall be capable of height settings from 7' to 10' in 6" increments.

**All steel components shall have a textured white powder coated finish.**

**Entire basketball system shall rest on the floor** when in the storage position on four (4), 8" diameter, 2" wide urethane casters. When rolled into playing position, front of system shall be lifted from the front wheels onto two 4" diameter urethane stabilizer pads.

**Stabilizer pads** shall be independently lowered by means of a threaded lead screw located at the top front corners of the base.

**Padding:** Entire front and sides of the base and front of the structural upright shall be padded a minimum of 2" thick in choice of 12 colors.

**Rear hold-downs** are optional accessories.

**System weight** shall be approximately 2,000 pounds.

**Components shall carry the following minimum warranties.**

**Backboard, limited lifetime; structure, 10-year limited; backboard edge padding, 10-year; and breakaway goal, 1-year.**



Please Mark Appropriate Selections

### Select Padding Color

Select Color:

- |   |   |  |
|---|---|--|
| <input type="checkbox"/> 01 White       | <input type="checkbox"/> 02 Marine Blue | <input type="checkbox"/> 04 Red          |
| <input type="checkbox"/> 05 Beige       | <input type="checkbox"/> 06 Orange      | <input type="checkbox"/> 07 Yellow       |
| <input type="checkbox"/> 08 Grey        | <input type="checkbox"/> 09 Maroon      | <input type="checkbox"/> 10 Royal Blue   |
| <input type="checkbox"/> 11 Black       | <input type="checkbox"/> 12 Purple      | <input type="checkbox"/> 13 Forest Green |
| <input type="checkbox"/> 14 Kelly Green | <input type="checkbox"/> 15 Navy Blue   |  |

\* These colors may require longer lead time. Contact Draper, Inc. for details



PROJECT: \_\_\_\_\_

ARCHITECT: \_\_\_\_\_

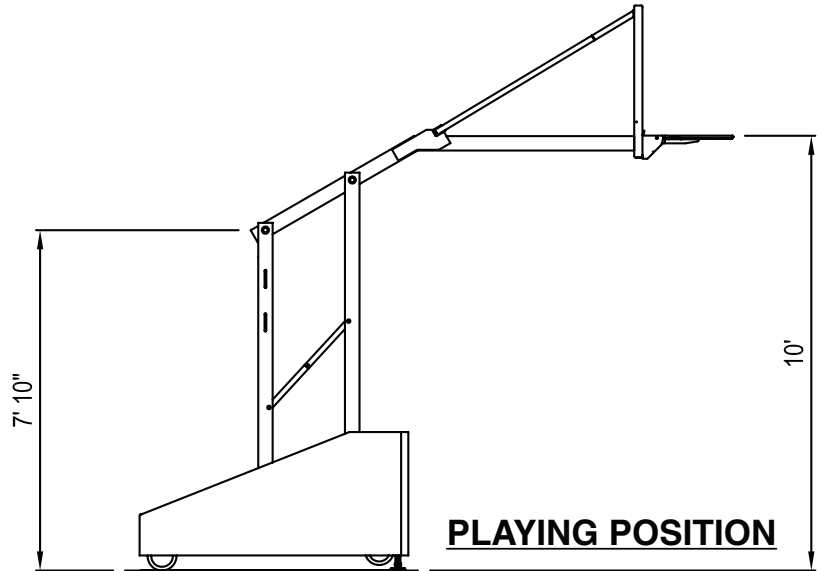
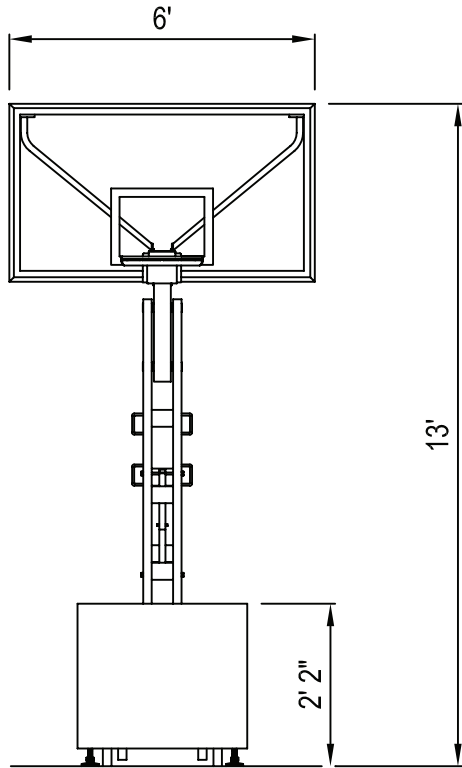
CONTRACTOR: \_\_\_\_\_

SUPPLIER: \_\_\_\_\_

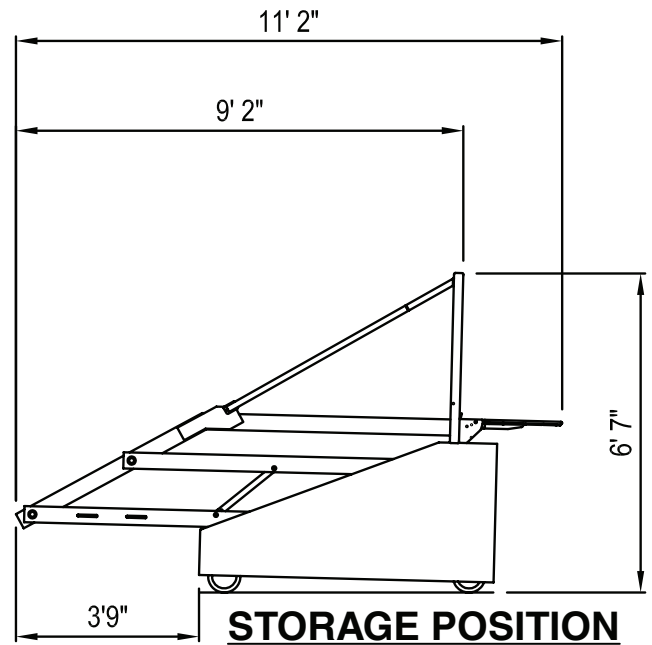
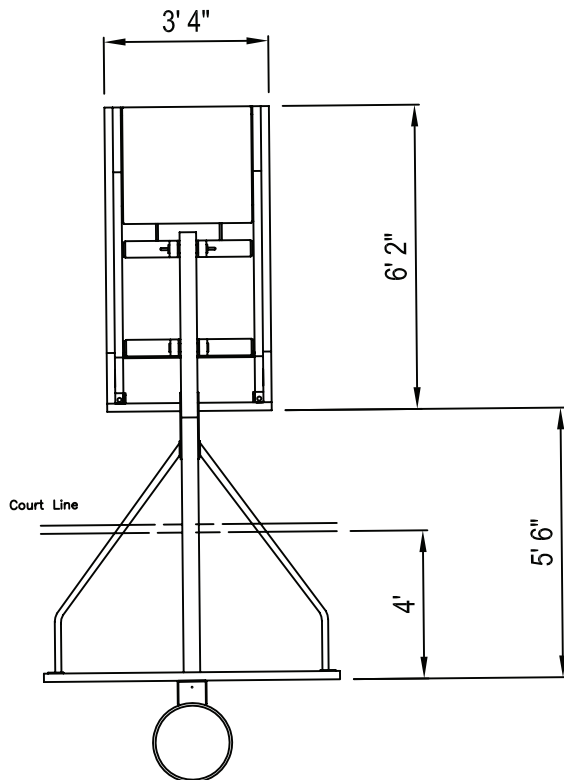
DATE: \_\_\_\_\_ REVISED: \_\_\_\_\_

# EZ-Sharpshooter 66 Portable Basketball System - 503018

**SUBMITTAL**  
TECHNICAL SPECIFICATIONS



Load on Each Rear Wheel = **370 lbs.**  
Load on Each Front Pad = **565 lbs.**



Load on Each Rear Wheel = **595 lbs.**  
Load on Each Front Pad = **340 lbs.**



PROJECT: \_\_\_\_\_

ARCHITECT: \_\_\_\_\_

CONTRACTOR: \_\_\_\_\_

SUPPLIER: \_\_\_\_\_

DATE: \_\_\_\_\_ REVISED: \_\_\_\_\_