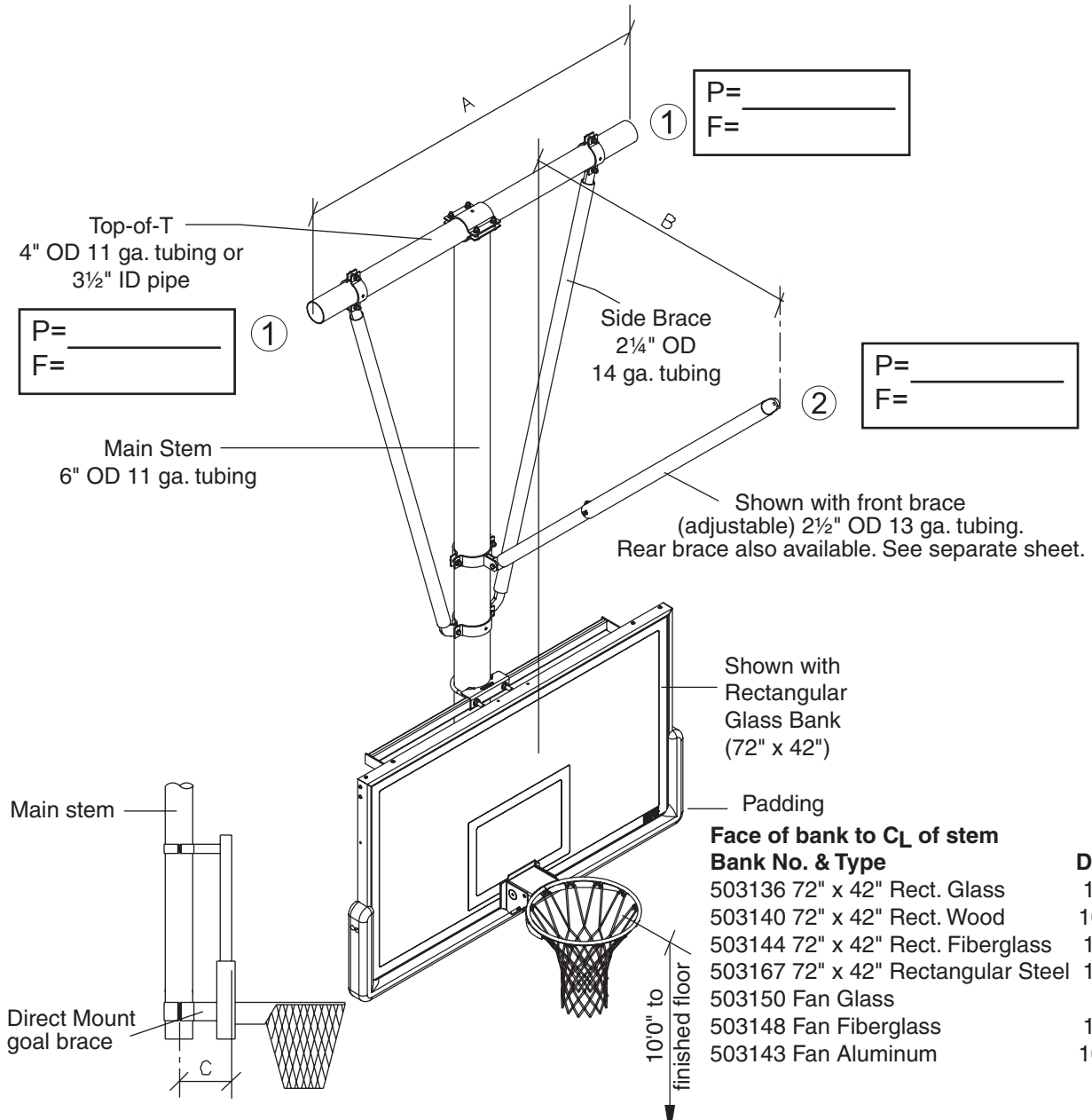


EZ Fold[®] TS-21

Basketball Backstop—Ceiling-Suspended,
Stationary, Front Braced

by DRAPER

1. Custom superstructure supplied to match building conditions.
2. Consult chart on reverse side for dimensions A & B (or A, B & C)



Est. Height: _____ Est. Weight _____ lbs. *

Est. Point Loads

Playing Position (P): Weight x .40 (2 points) ① _____ .20 ② _____

Attachment Dimensions: _____ **A** _____ **B** _____ **C**

* Includes allowance for slam dunking and players hanging on rim.

DRAPER[®]

411 S. Pearl St., Spiceland, IN 47385 USA ■ 765-987-7999
www.draperinc.com ■ fax 866-637-5611

Copyright © 2013 Draper Inc. Form EZ-TS-21-Rear_PL13 Printed in U.S.A.

EZ-Fold TS-21 Basketball Backstop Weight *

Height	Structure Spacing						
	4'	8'	12'	16'	20'	24'	28'
18'	1,715	1,775	1,835	1,895	1,955	2,155	2,215
19'	1,755	1,815	1,875	1,935	1,995	2,195	2,255
20'	1,795	1,855	1,915	1,975	2,035	2,235	2,305
21'	1,835	1,895	1,955	2,015	2,075	2,275	2,345
22'	1,885	1,935	1,995	2,055	2,115	2,315	2,385
23'	1,925	1,975	2,035	2,095	2,155	2,355	2,415
24'	1,965	2,025	2,085	2,145	2,205	2,395	2,455
25'	2,005	2,065	2,125	2,185	2,245	2,435	2,495
26'	2,055	2,105	2,165	2,225	2,285	2,475	2,535
27'	2,095	2,145	2,205	2,265	2,325	2,515	2,575
28'	2,135	2,195	2,255	2,315	2,375	2,555	2,615
29'	2,175	2,235	2,295	2,355	2,415	2,595	2,655
30'	2,225	2,275	2,335	2,395	2,455	2,635	2,695
31'	2,265	2,315	2,375	2,435	2,495	2,675	2,735
32'	2,315	2,365	2,425	2,485	2,545	2,715	2,775
33'	2,365	2,405	2,465	2,525	2,585	2,755	2,815
34'	2,405	2,445	2,505	2,565	2,625	2,795	2,855
35'	2,455	2,485	2,545	2,605	2,665	2,835	2,885
36'	2,495	2,535	2,595	2,655	2,715	2,875	2,915
37'	2,545	2,575	2,635	2,695	2,755	2,915	2,955
38'	2,595	2,615	2,675	2,735	2,795	2,955	2,995
39'	2,635	2,655	2,715	2,775	2,825	2,995	3,035
40'	2,675	2,715	2,755	2,805	2,855	3,035	3,075

* Assumes Glass Backboard, Height Adjuster and Breakaway Goal.

Also includes 750 Lbs. for added load due to playing conditions and for a safety factor.

A-B-C Dimensions

TS-21 or TS-21-B, Front Braced		
Ceiling Height	A	B
18' to 19'	5'-1"	2'-5" ±
19' to 20'	5'-1"	3'-5" ±
20' to 21'	5'-1"	4'-5" ±
21' to 22'	5'-1"	5'-5" ±
22' to 23'	7'-1"	6'-5" ±
23' to 24'	7'-1"	7'-5" ±
24' to 25'	7'-1"	8'-5" ±
25' to 26'	7'-1"	9'-5" ±
26' to 27'	7'-1"	10'-5" ±
27' to 28'	7'-1"	11'-5" ±
28' to 29'	10'-1"	12'-5" ±
29' to 30'	10'-1"	13'-5" ±
30' to 31'	12'-1"	14'-5" ±
31' to 32'	12'-1"	15'-5" ±
32' to 33'	14'-1"	16'-5" ±
33' to 34'	14'-1"	17'-5" ±
34' to 35'	14'-1"	18'-5" ±
35' to 36'	14'-1"	19'-5" ±
36' to 37'	14'-1"	20'-5" ±
37' to 38'	16'-1"	21'-5" ±
38' to 39'	16'-1"	22'-5" ±
39' to 40'	16'-1"	23'-5" ±