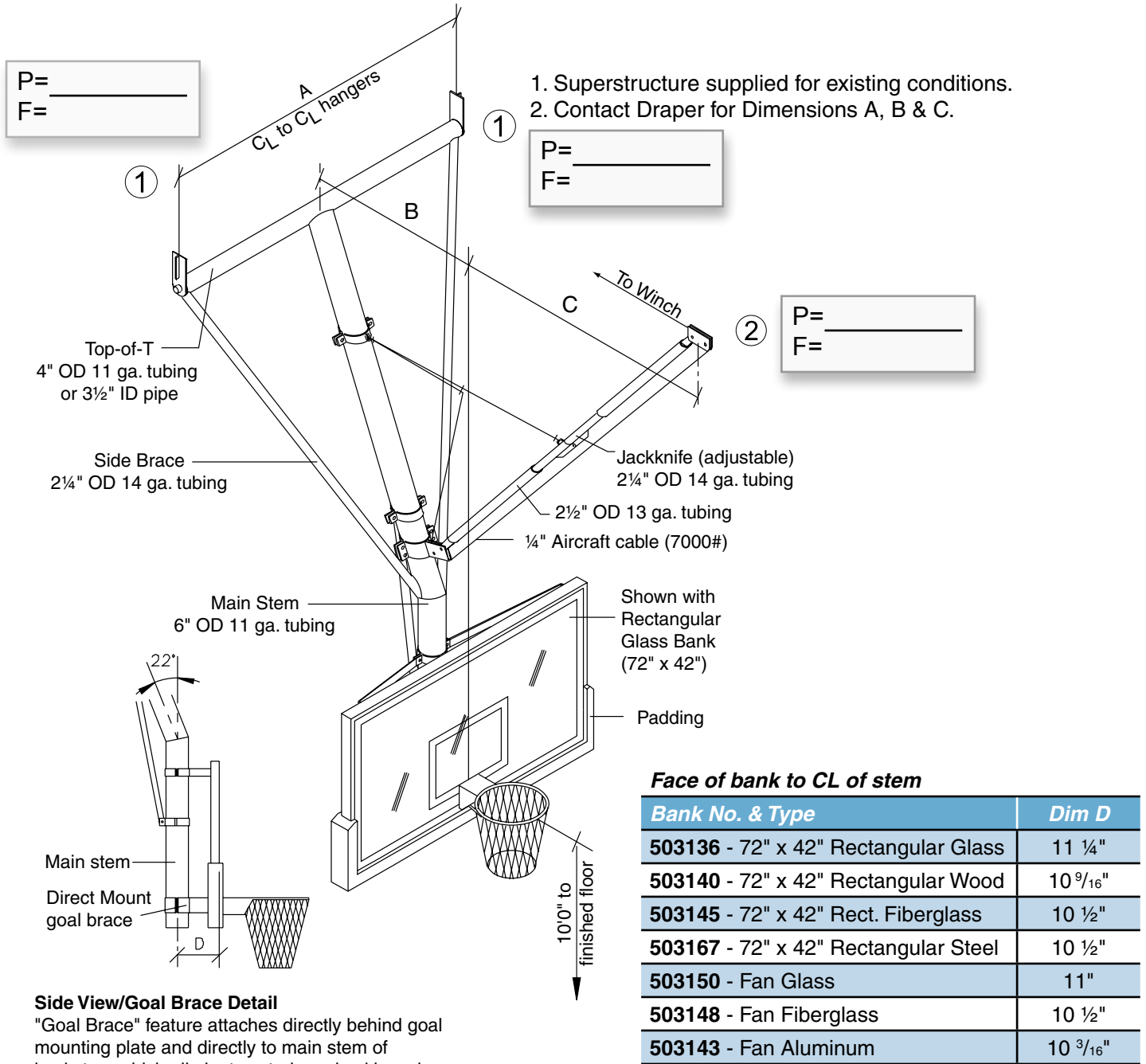


EZ Fold® TF-20S

Basketball Backstop— Ceiling-Suspended, Side-Folding - with Rear Brace

POINT LOAD DIAGRAM



Side View/Goal Brace Detail
 "Goal Brace" feature attaches directly behind goal mounting plate and directly to main stem of backstop, which eliminates strain on backboards.

Estimated Height: _____ Estimated Weight: _____ lbs. *

ESTIMATED POINT LOADS

Playing Position (P): Weight x .35 (2 points) _____ .30 _____

Folding Position (F): (Weight - 750) x .25 (2 Points) _____ .50 _____

Attachment Dimensions: _____ **A** _____ **B** _____ **C** _____ **D**

***Includes allowance for players hanging on the rim.**

EZ-Fold TF-20S Basketball Backstop

Weight*

Height	Structure Spacing						
	4'	8'	12'	16'	20'	24'	28'
21'	2045	2105	2165	2225	2285	2485	2555
22'	2095	2145	2205	2265	2325	2525	2595
23'	2135	2185	2245	2305	2365	2565	2625
24'	2175	2235	2295	2355	2415	2605	2665
25'	2215	2275	2335	2395	2455	2645	2705
26'	2265	2315	2375	2435	2495	2685	2745
27'	2305	2355	2415	2475	2535	2725	2785
28'	2345	2405	2465	2525	2585	2765	2825
29'	2385	2445	2505	2565	2625	2805	2865
30'	2435	2485	2545	2605	2665	2845	2905
31'	2475	2525	2585	2645	2705	2885	2945
32'	2525	2575	2635	2695	2755	2925	2985
33'	2575	2615	2675	2735	2795	2965	3025
34'	2615	2655	2715	2775	2835	3005	3065
35'	2665	2695	2755	2815	2875	3045	3095
36'	2705	2745	2805	2865	2925	3085	3125
37'	2755	2785	2845	2905	2965	3125	3165
38'	2805	2825	2885	2945	3005	3165	3205
39'	2845	2865	2925	2985	3035	3205	3245
40'	2885	2925	2965	3015	3065	3245	3285

* Assumes, Electric Winch, Safety Strap, Glass Backboard, Height Adjuster and Breakaway Goal.
Also includes 750 Lbs. for added load due to playing conditions and for a safety factor

A-B-C Dimensions

Ceiling Height	TF-20S			TF-20S-B		
	A	B	C	A	B	C
20'-11" to 21'-10"	5'-1"	3'-6"	2'-1"±	N/A	N/A	N/A
21'-11" to 22'-9"	5'-1"	3'-10 3/4"	2'-11"±	N/A	N/A	N/A
22'-10" to 23'-8"	7'-1"	4'-3 1/4"	3'-5"±	N/A	N/A	N/A
23'-9" to 24'-7"	7'-1"	4'-7 3/4"	4'-0"±	N/A	N/A	N/A
24'-8" to 25'-6"	7'-1"	5'-0 1/4"	4'-6"±	N/A	N/A	N/A
25'-7" to 26'-5"	7'-1"	5'-4 7/8"	5'-7"±	N/A	N/A	N/A
26'-6" to 27'-4"	7'-1"	5'-9"	6'-3"±	N/A	N/A	N/A
27'-5" to 28'-3"	N/A	N/A	N/A	10'-1"	6'-1 7/8"	6'-11"±
28'-4" to 29'-3"	N/A	N/A	N/A	10'-1"	6'-6 3/8"	7'-5"±
29'-4" to 30'-2"	N/A	N/A	N/A	12'-1"	6'-10-3/4"	8'-1"±
30'-3" to 31'-1"	N/A	N/A	N/A	12'-1"	7'-3 3/8"	8'-9"±
31'-2" to 32'-0"	N/A	N/A	N/A	14'-1"	7'-7 3/4"	9'-5"±
32'-1" to 32'-11"	N/A	N/A	N/A	14'-1"	8'-0 1/4"	9'-10"±
33'-0" to 33'-10"	N/A	N/A	N/A	14'-1"	8'-4 7/8"	10'-7"±
33'-11" to 34'-9"	N/A	N/A	N/A	14'-1"	8'-9 1/4"	11'-2"±
34'-10" to 35'-8"	N/A	N/A	N/A	14'-1"	9'-1 3/4"	11'-9"±
35'-9" to 36'-8"	N/A	N/A	N/A	16'-1"	9'-6"	12'-6"±
36'-9" to 37'-7"	N/A	N/A	N/A	16'-1"	9'-10 3/4"	13'-1"±
37'-8" to 38'-6"	N/A	N/A	N/A	16'-1"	10'-3 1/4"	13'-9"±
38'-7" to 39'-5"	N/A	N/A	N/A	16'-1"	10'-7 3/4"	14'-4"±