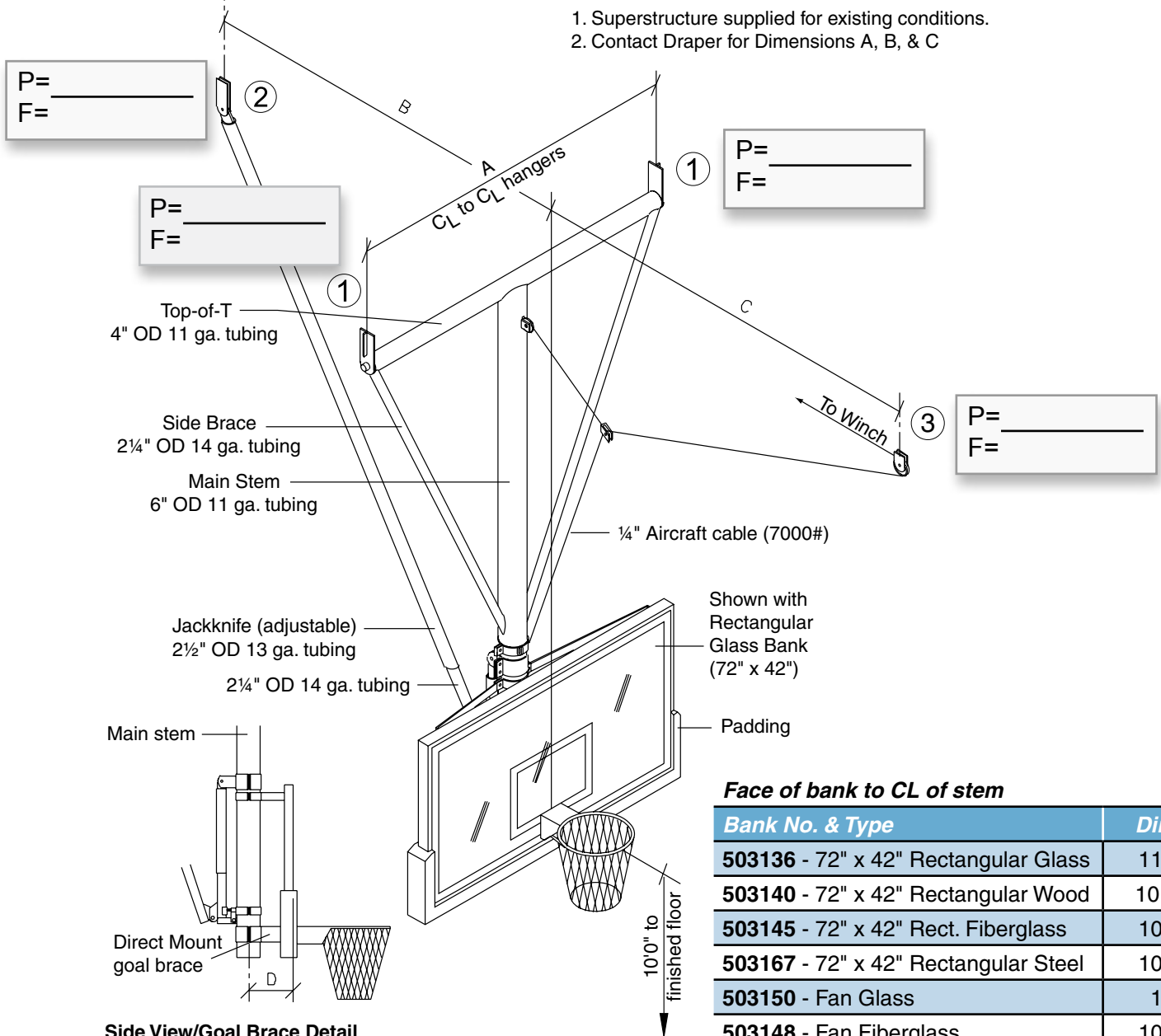


# EZ Fold® TF-20J

Basketball Backstop—Ceiling-Suspended, Forward-Folding, Rear-Braced

## POINT LOAD DIAGRAM



**Side View/Goal Brace Detail**  
"Goal Brace" feature attaches directly behind goal mounting plate and directly to main stem of backstop, which eliminates strain on backboards.

Estimated Height: \_\_\_\_\_ Estimated Weight: \_\_\_\_\_ lbs. \*  
① ② ③

**ESTIMATED POINT LOADS**

Playing Position (P): Weight x .35 (3 points) \_\_\_\_\_ .20 \_\_\_\_\_ .10 \_\_\_\_\_

Folding Position (F): (Weight - 750) x .20 (3 Points) \_\_\_\_\_ .20 \_\_\_\_\_ .40 \_\_\_\_\_

**A** **B** **C** **D**

Attachment Dimensions: \_\_\_\_\_

**\*Includes allowance for players hanging on the rim.**

## EZ-Fold TF-20J Basketball Backstop

### Weight\*

Height	Structure Spacing						
	4'	8'	12'	16'	20'	24'	28'
18'	1940	2020	2120	2210	2350	2580	2660
19'	1980	2060	2160	2250	2390	2620	2700
20'	2020	2100	2200	2290	2430	2660	2750
21'	2060	2140	2240	2330	2470	2700	2790
22'	2110	2180	2280	2370	2510	2740	2830
23'	2150	2220	2320	2410	2550	2780	2860
24'	2190	2270	2370	2460	2600	2820	2900
25'	2230	2310	2410	2500	2640	2860	2940
26'	2280	2350	2450	2540	2680	2900	2980
27'	2320	2390	2490	2580	2720	2940	3020
28'	2360	2440	2540	2630	2770	2980	3060
29'	2400	2480	2580	2670	2810	3020	3100
30'	2450	2520	2620	2710	2850	3060	3140
31'	2490	2560	2660	2750	2890	3100	3180
32'	2540	2610	2710	2800	2940	3140	3220
33'	2590	2650	2750	2840	2980	3180	3260
34'	2630	2690	2790	2880	3020	3220	3300
35'	2680	2730	2830	2920	3060	3260	3330
36'	2720	2780	2880	2970	3110	3300	3360
37'	2770	2820	2920	3010	3150	3340	3400
38'	2820	2860	2960	3050	3190	3380	3440
39'	2860	2900	3000	3090	3220	3420	3480
40'	2900	2960	3040	3120	3250	3460	3520

\* Assumes, Electric Winch, Safety Strap, Glass Backboard, Height Adjuster and Breakaway Goal.  
Also includes 750 Lbs. for added load due to playing conditions and for a safety factor

### A-B-C Dimensions

Ceiling Height	TF-20J			TF-20J-B		
	A	B	C	A	B	C
18' to 19'	5'-1"	5'-4"	2'-10"±	N/A	N/A	N/A
19' to 20'	5'-1"	6'-0"	3'-10"±	N/A	N/A	N/A
20' to 21'	5'-1"	6'-4"	4'-10"±	N/A	N/A	N/A
21' to 22'	5'-1"	7'-0"	5'-10"±	N/A	N/A	N/A
22' to 23'	5'-1"	7'-4"	6'-10"±	N/A	N/A	N/A
23' to 24'	7'-1"	7'-8"	7'-10"±	N/A	N/A	N/A
24' to 25'	7'-1"	8'-4"	8'-10"±	N/A	N/A	N/A
25' to 26'	7'-1"	9'-0"	9'-10"±	N/A	N/A	N/A
26' to 27'	7'-1"	9'-4"	10'-10"±	N/A	N/A	N/A
27' to 28'	7'-1"	10'-0"	11'-10"±	N/A	N/A	N/A
28' to 29'	N/A	N/A	N/A	10'-1"	10'-8"	12'-10"±
29' to 30'	N/A	N/A	N/A	10'-1"	11'-4"	13'-10"±
30' to 31'	N/A	N/A	N/A	12'-1"	11'-8"	14'-10"±
31' to 32'	N/A	N/A	N/A	12'-1"	12'-4"	15'-10"±
32' to 33'	N/A	N/A	N/A	14'-1"	13'-0"	16'-10"±
33' to 34'	N/A	N/A	N/A	14'-1"	13'-4"	17'-10"±
34' to 35'	N/A	N/A	N/A	14'-1"	14'-0"	18'-10"±
35' to 36'	N/A	N/A	N/A	14'-1"	14'-8"	19'-10"±
36' to 37'	N/A	N/A	N/A	16'-1"	15'-4"	20'-10"±
37' to 38'	N/A	N/A	N/A	16'-1"	15'-8"	21'-10"±
38' to 39'	N/A	N/A	N/A	16'-1"	16'-4"	22'-10"±
39' to 40'	N/A	N/A	N/A	16'-1"	17'-0"	23'-10"±