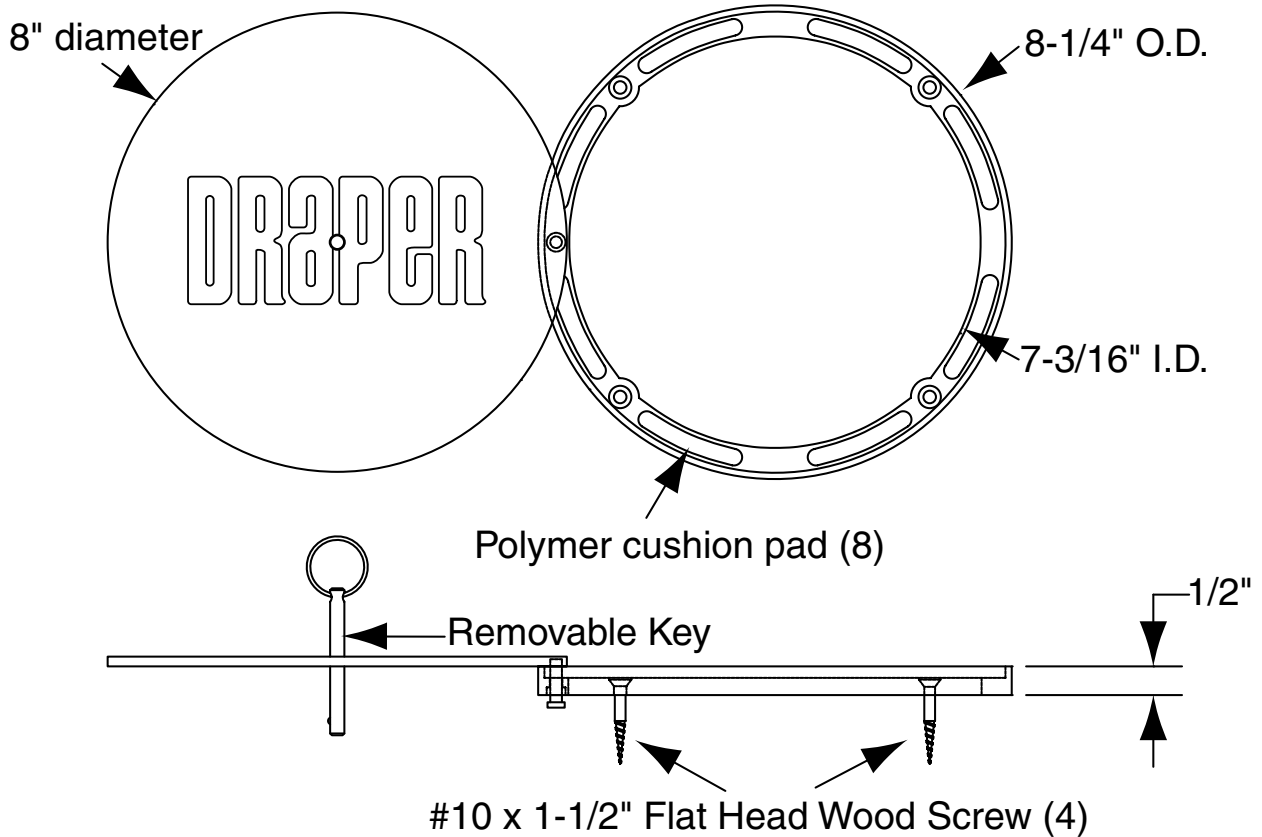


# Volleyball Floor Cover Plates by DRAPER

501033

8" Brass Plated Floor Cover Plate



**Specifications—501033**

**8" Brass Plated Floor Cover Plate Assembly**

Brass Plated Cover Plate Assembly shall be 501033 by Draper. Brass plated cover plate assembly shall provide for use in either synthetic or wood floors. Cover plate shall consist of a high-strength molded urethane recessed mounting flange, 8 1/4" in diameter and a 8" diameter brass plated cover. Cover shall have a brushed brass finish. Cover shall be equipped with a swivel type retaining pin to prevent theft. A special key shall be provided for opening cover. Four #10 x 1 1/2" phillips-head wood screws shall be provided to securely mount cover plate assembly to floor. Plate shall be installed flush with playing surface.

**LEED® Submittal Information**

Credit	Measure	
MRc4 – Recycled Content	Post Consumer Average 36%	Post Industrial 7%



411 S. Pearl St., Spiceland, IN 47385 USA ■ 765-987-7999  
 www.draperinc.com ■ fax 765-987-7142  
 Copyright ©2014 Draper Inc. Form VB\_501033\_FloorCover\_Sub14 Printed in U.S.A.

PROJECT: _____
ARCHITECT: _____
CONTRACTOR: _____
SUPPLIER: _____
DATE: _____ REVISED: _____