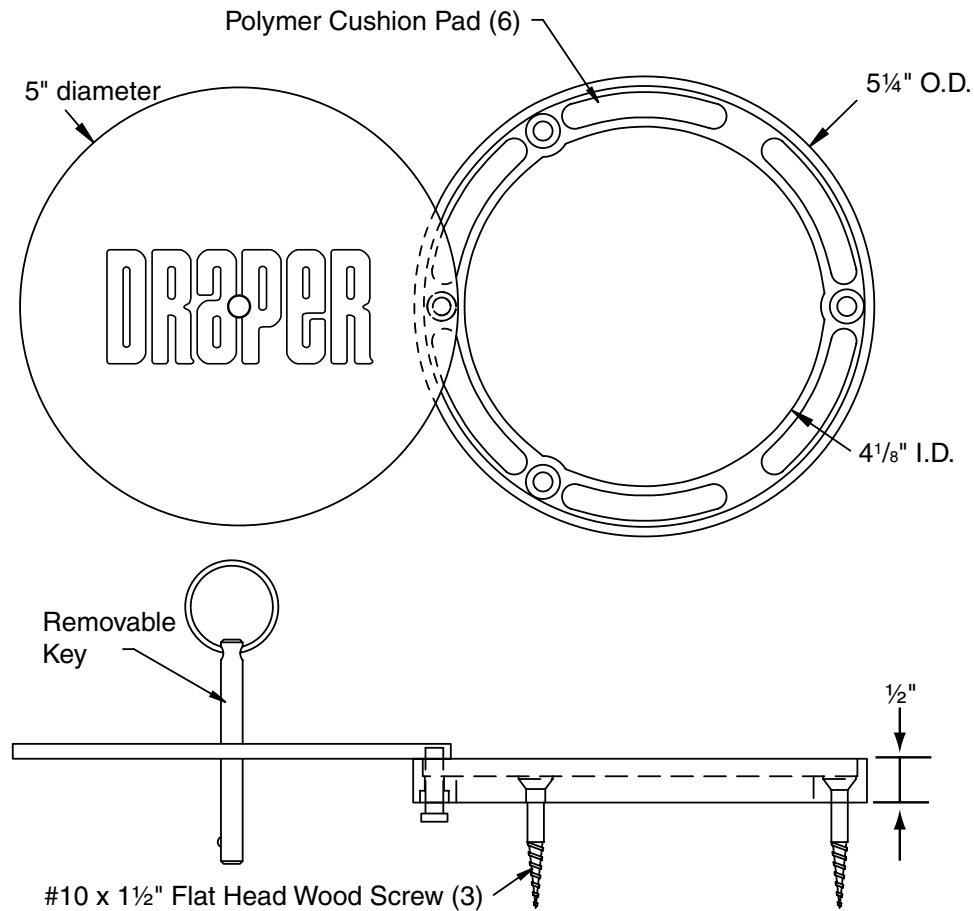


Volleyball Floor Cover Plates by DRAPER

501031

5" Brass Plated Floor Cover Plate



Specifications—501031

5" Brass Plated Floor Cover Plate Assembly

Brass Plated Cover Plate Assembly shall be 501031 by Draper. Brass plated cover plate assembly shall provide for use in either synthetic or wood floors. Cover plate shall consist of a high-strength molded urethane recessed mounting flange, 5 1/4" in diameter and a 5" diameter brass plated cover. Cover shall have a brushed brass finish. Cover shall be equipped with a swivel type retaining pin to prevent theft. A special key shall be provided for opening cover. Three #10 x 1 1/2" phillips-head wood screws shall be provided to securely mount cover plate assembly to floor. Plate shall be installed flush with playing surface.

LEED® Submittal Information

Credit	Measure	
MRC4 – Recycled Content	Post Consumer Average 36%	Post Industrial 7%

411 S. Pearl St., Spiceland, IN 47385 USA ■ 765-987-7999
 www.draperinc.com ■ fax 765-987-7142
 Copyright ©2014 Draper Inc. Form VB_501031_FloorCover_Sub14 Printed in U.S.A.

PROJECT: _____
ARCHITECT: _____
CONTRACTOR: _____
SUPPLIER: _____
DATE: _____ REVISED: _____