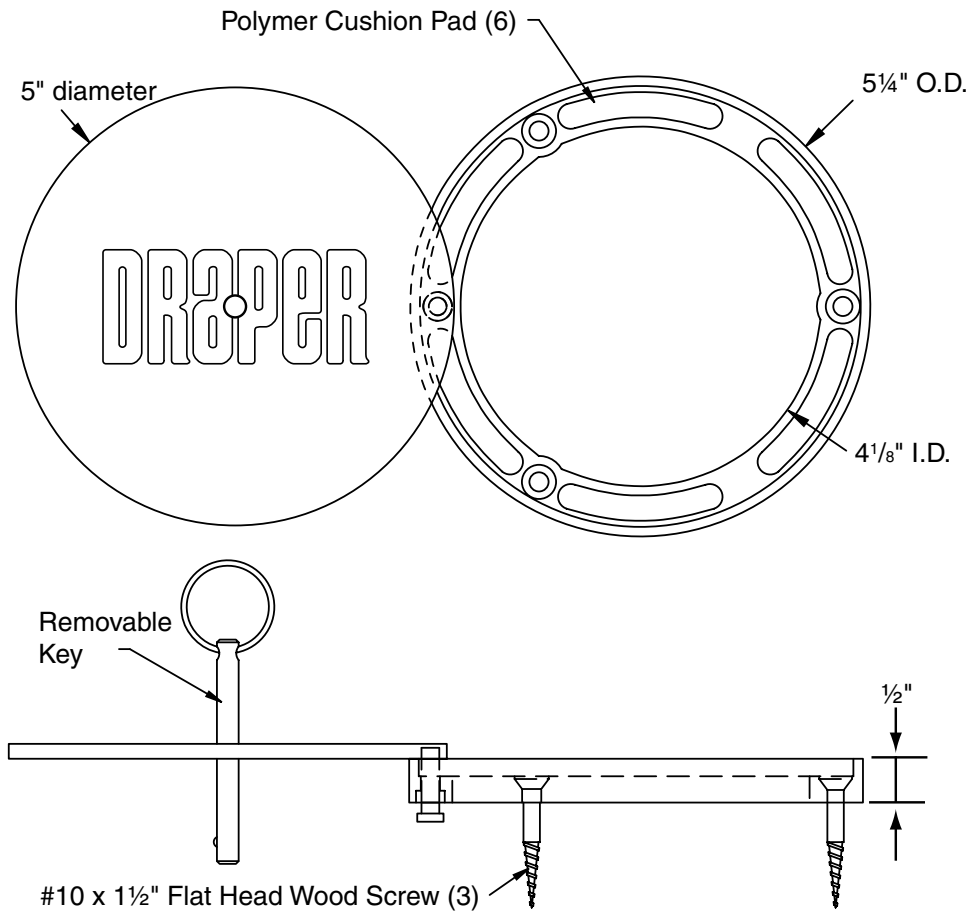


# Volleyball Floor Cover Plates *by*

# DRAPER

501001

## 5" Chrome Plated Floor Cover Plate



### Specifications—501001

#### 5" Chrome Plated Floor Cover Plate Assembly

Chrome Plated Cover Plate Assembly shall be 501001 by Draper. Chrome plated cover plate assembly shall provide for use in either synthetic or wood floors. Cover plate shall consist of a high-strength molded urethane recessed mounting flange, 5 1/4" in diameter and a 5" diameter chrome plated cover. Cover shall have a brushed chrome finish. Cover shall be equipped with a swivel type retaining pin to prevent theft. A special key shall be provided for opening cover. Three #10 x 1 1/2" phillips-head wood screws shall be provided to securely mount cover plate assembly to floor. Plate shall be installed flush with playing surface.

### LEED® Submittal Information

Credit	Measure	
MRc4 – Recycled Content	Post Consumer Average 36%	Post Industrial 7%

# DRAPER

411 S. Pearl St., Spiceland, IN 47385 USA ■ 765-987-7999

www.draperinc.com ■ fax 765-987-7142

Copyright ©2014 Draper Inc. Form VB\_501001\_FloorCover\_Sub14 Printed in U.S.A.

PROJECT: _____
ARCHITECT: _____
CONTRACTOR: _____
SUPPLIER: _____
DATE: _____ REVISED: _____