

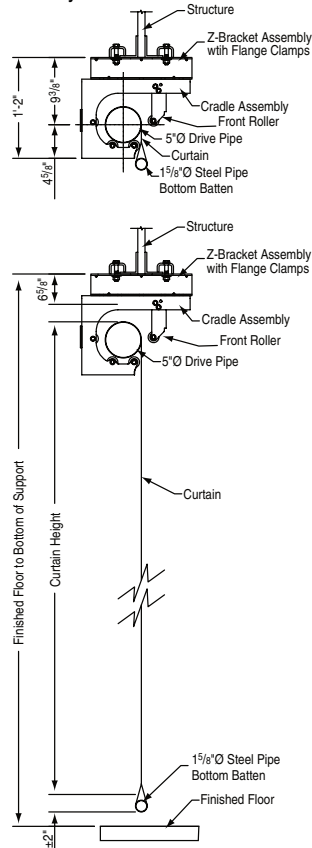
# Top Roll Divider

Electrically Operated Gym Divider Curtain



## Section Drawing

Directly under continuous beam



**EcoVision™**  
Part of the Draper EcoVision™ range of products

## Specifications—Top Roll Gym Divider

Gym Divider as shown on plans shall be Top Roll as manufactured by Draper, Inc., Spiceland, Indiana. Bidder is responsible for verification of job conditions and dimensions.

Lower [8'] [10'] (dimension chosen by owner/architect) section of curtain shall be solid vinyl-coated polyester, avg. 18 oz. per square yard. Flammability rated as self-extinguishing by the California State Fire Code and Class A Rated in accordance with requirements of NFPA-101. Color shall be chosen from manufacturer's standard offering of at least 11 colors. Upper section of curtain shall be avg. 9 oz. per square yard vinyl coated polyester. Flammability rated as self-extinguishing by the California State Fire Code and Class A Rated in accordance with requirements of NFPA-101. Color shall be chosen from four standard offerings (white, yellow, red and blue and black weave) as specified by the owner. All seams to be electronically welded with a 1" full contact weld. All seams are horizontal to allow for even roll of vinyl around drive tube. Outer edge hems shall be turned with welds. Curtain shall be rolled on a 5" diameter drive tube to which the top edge of the curtain is secured. Bottom edge of curtain to have a 6" wide pocket to accommodate a 1 1/2" diameter round batten.

Draper 18 oz. Divider Curtain Vinyl and Divider Curtain Mesh has achieved GREENGUARD GOLD Certification. GREENGUARD Certified products are certified to GREENGUARD standards for low chemical emissions into indoor air during product usage. For more information, visit [ul.com/gg](http://ul.com/gg).

Suspension from roof support member must be accomplished with clamp type malleable or heavy gauge stamped lug fitting furnished by the manufacturer. Rolling action shall be from the top, and shall be achieved without the use of belts and/or cables. Drive pipe shall rotate in precision laser cut and formed drive pipe support assembly, located no more than 10' on center. Drive pipe support assembly shall be compact to allow for stored dimension of approximately 14". Curtain roll and drive tube shall be kept in place by safety trolley. Curtain shall roll at a rate of approximately 21 feet per minute.

Drive pipe power mechanism shall consist of a 3/4 H.P., 110-120V AC, 60 cycle, single-phase reversible capacitor motor with built-in thermal overload protection. The motor and load holding worm gear reducer shall provide speed reduction in the winch. Curtain winch includes limit switches to control the upper and lower limit of the curtain travel. Winch to be located at one end of curtain and be external of drive tube to allow for proper cooling and eliminate nuisance thermal overload tripping.

Key lock, three position, momentary contact wall switch with safety delay included. Switch unit shall fit in a general-purpose masonry style switch box and is provided with a polished stainless steel wall plate. **Key switch or controls to be in full view of both sides of curtain during operation.**

### Options:

Smart Gym Control System. See separate sheet.  
Wireless Remote Control. See separate sheet.

### LEED® Submittal Information

Credit	Measure	
MRC4 – Recycled Content	Post Consumer Average 23.48%	Post Industrial 0%
MRC5 – Regional Materials	Raw materials are commodity items with multiple sources so extraction point cannot be determined. Final manufacturing/assembly in Spiceland, IN 47385	

### Considerations for Top-Roll Divider:

- Maximum divider size is approximately 100' long x 30' high, but cannot be cutout for bleachers. Allow more space for walking around the ends of the divider. A minimum of 6" of clearance is required between vertical edges and fixed objects. A minimum of 2'6" clearance is required at one end of the curtain.
- Stored dimension, from bottom of beam to bottom of divider, shall be two feet or less.

PROJECT: \_\_\_\_\_

ARCHITECT: \_\_\_\_\_

CONTRACTOR: \_\_\_\_\_

SUPPLIER: \_\_\_\_\_

DATE: \_\_\_\_\_ REVISED: \_\_\_\_\_

### Please Mark Appropriate Selections

#### Select Solid 18 oz. Vinyl Weight and Color

Specify Height of Vinyl: \_\_\_\_\_  
 18 oz. (circle one)

White	Marine Blue	Forest Green	Yellow	Orange
Purple	Black	Red	Dark Blue	Maroon
Beige	Grey	Navy		

#### Select Mesh Color (circle one)

White	Red	Blue	Yellow	Black	Grey
-------	-----	------	--------	-------	------

### Specify Width

Opening Width: \_\_\_\_\_

### Specify Height

Height (floor to attachment): Low Point: \_\_\_\_\_ High Point: \_\_\_\_\_

Obstructions (clarify on page two in NOTES): \_\_\_\_\_

### Building Structure in Relation to Curtain

- Directly under continuous beam
- Between two beams. Distance between the beams: \_\_\_\_\_  
Distance from curtain to beam: \_\_\_\_\_
- Right Angle to beams. Spacing between beams: \_\_\_\_\_

### Building Structure for Curtain Support

Beam flange width: \_\_\_\_\_

Beam flange thickness: \_\_\_\_\_

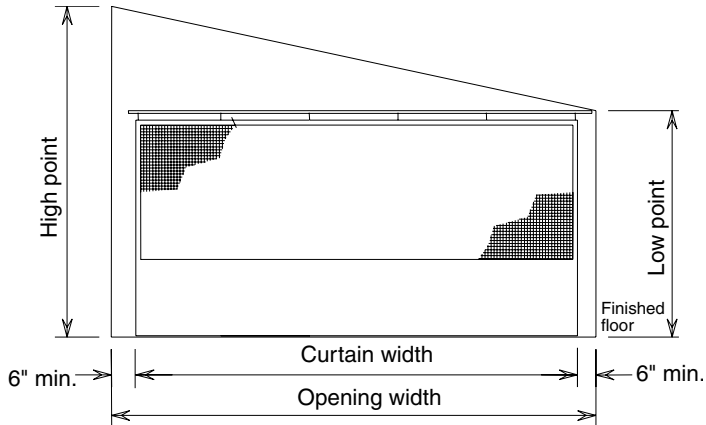
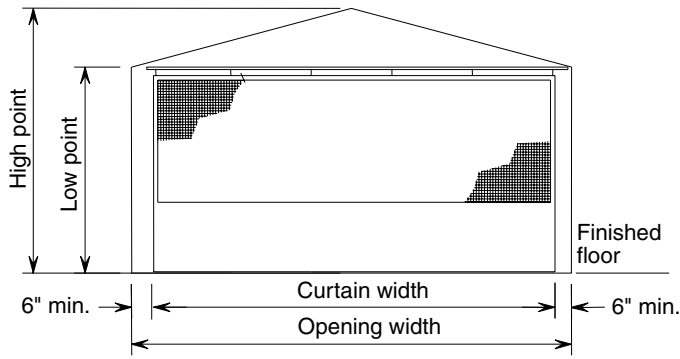
### Options For Top Roll Divider

- Wireless Remote Control
- Smart Gym Wall Touch Pad Control
- EZ Pad Group Control System
- Padded Bottom Batten

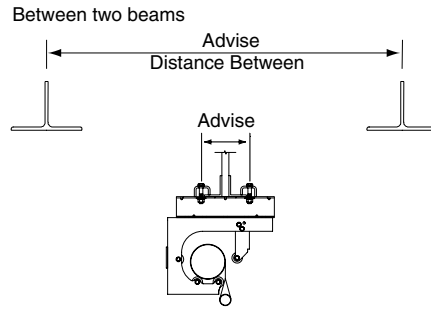


411 S. Pearl St., Spiceland, IN 47385 USA ■ 765-987-7999  
[www.draperinc.com](http://www.draperinc.com) ■ fax 765-987-7142

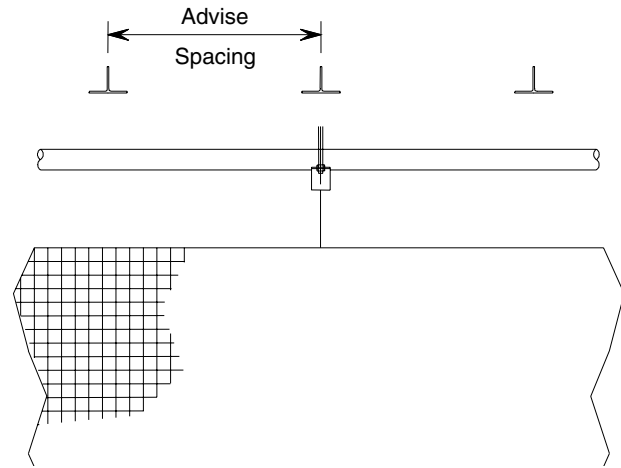
## Height and width



## Structural relations



## Right angle to beams



### NOTES:

---



---

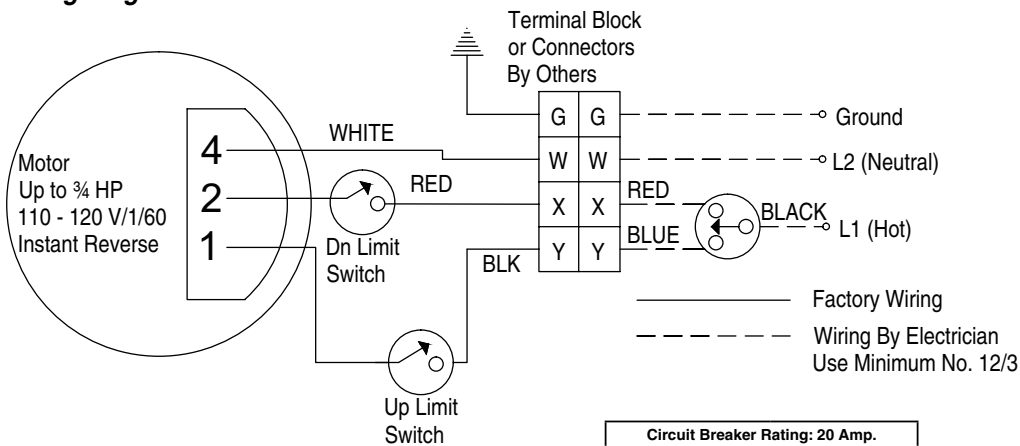


---



---

## Wiring Diagram



<b>Circuit Breaker Rating: 20 Amp.</b>	
<b>Fused Circuit Rating: 20 Amp.</b>	
<b>Full Load Amperage: 9.8 Amp</b>	
<b>Recommended Minimum Wire Size</b>	
90' Maximum Run	12 AWG
91' to 140' Run	10 AWG
140' to 225' Run	8 AWG
Wire size recommendations based on 3/4 HP Motor, 3% voltage drop, copper wire and are calculated using standard wire size calculation methods	
Size of wall masonry boxes required for single and key switches <b>All Boxes: 2" (w) x 3 3/4" (h) x 2 1/2" (d)</b>	

## Key Switch

