

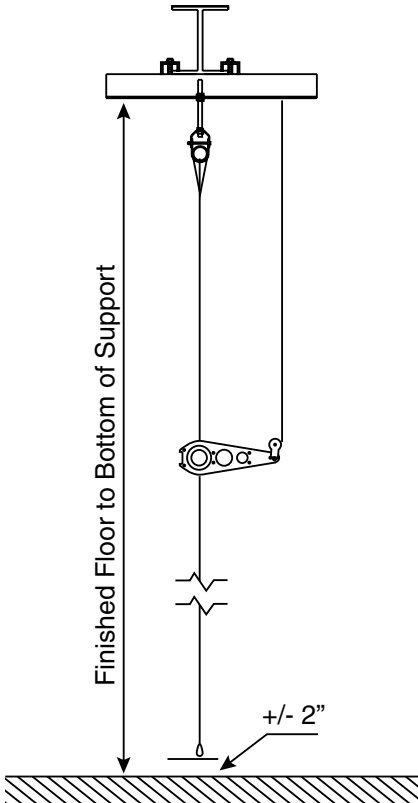
Mid Roll Divider - Dual Motor

Electrically operated Gym Divider Curtain



Section Drawing

Directly under continuous beam



EcoVision™
Part of the Draper EcoVision™ range of products

Specifications—Mid Roll Gym Divider

Gym Divider as shown on plans shall be Mid-Roll as manufactured by Draper, Inc., Spiceland, Indiana. Bidder is responsible for verification of job conditions and dimensions.

Lower section of curtain shall be solid vinyl-coated polyester, avg. 18 oz. per square yard [0.61 kg per square meter]. Flammability rated as self-extinguishing by the California State Fire Code, Class-A Rated in accordance with requirements of NFPA-101 and pass the testing requirements of NFPA-701. Color shall be chosen from manufacturer's standard offering of at least 13 colors. Upper section of curtain shall be avg. 9 oz. per square yard [0.306 kg. per square meter] vinyl coated polyester. Flammability rated as self-extinguishing by the California State Fire Code, Class-A Rated in accordance with requirements of NFPA-101 and pass the testing requirements of NFPA-701. Color shall be chosen from six standard offerings (white, yellow, red, grey, black and blue) as specified by the owner. All seams are horizontal to allow for even roll of vinyl around drive tube.

Draper Divider Curtain Vinyl and Divider Curtain Mesh has achieved GREENGUARD GOLD Certification. GREENGUARD Certified products are certified to GREENGUARD standards for low chemical emissions into indoor air during product usage. For more information, visit ul.com/gg.

Suspension from roof support member must be accomplished with malleable, heavy gauge stamped or welded clamp type fittings spaced a maximum of 10'0" [3.05 m] center-to-center. Suspension method to be designed so that the curtain can be stored in as little as 14" [35.6 cm] if suspended directly from roof truss, roof joist or other roof support beam.

Curtain shall be rolled on a 3.35" [8.51 cm] diameter aluminum drive tube to which the edge of the curtain is secured using a plastic spline material sealed inside a pocket. Drive tube has extruded grooves into which spline material slides providing a continuous and secure attachment. Other edge of each curtain section to have a 6" [152 mm] wide pocket to accommodate a 1½" [38 mm] diameter round batten.

Rolling action shall be from the middle of the curtain, and shall be achieved without the use of belts and/or cables. Drive pipe shall be driven by dual synchronized 880 in.-lbs.[100 Nm], 14RPM, 110-120V AC, 60 cycle, tubular motors featuring internal limit switches. Motor(s) will be provided with a mechanism to counteract the reactive torque forces from the motor(s) and self-retracting cable reel system to provide power at motors. Minimum curtain height to be 18' 0" [5.49 m] to keep all electrical components out of reach.

Key lock, three position, momentary contact wall switch included. Switch unit shall fit in a general-purpose masonry style switch box and is provided with a polished stainless steel wall plate. Other optional controls are available. **Key switch or controls to be in full view of both sides of curtain during operation.**

Please Mark Appropriate Selections Select Solid 18 oz. Vinyl Weight and Color

Specify Height of Vinyl: _____

- 18 oz. (circle one)
- | | | | | |
|--------|-------------|--------------|--------|--------|
| White | Marine Blue | Forest Green | Yellow | Orange |
| Purple | Black | Royal Blue | Red | Maroon |
| Beige | Grey | Navy | | |

Select Mesh Color (circle one)

- | | | | | | |
|-------|-----|------|--------|-------|------|
| White | Red | Blue | Yellow | Black | Grey |
|-------|-----|------|--------|-------|------|

Specify Width

Opening Width: _____

Specify Height

Height (floor to attachment): Low Point: _____ High Point: _____

Obstructions (clarify on page two in NOTES): _____

Building Structure in Relation to Curtain

- Directly under continuous beam.
- Between two beams. Distance between the beams: _____
Distance from curtain to beam: _____
- Right Angle to beams. Spacing between beams: _____

Building Structure for Curtain Support

Beam flange width: _____

Beam flange thickness: _____

Options For Mid Roll Divider

- Wireless Remote Control (see separate sheet)
- Smart Gym Wall Touch Pad Control (see separate sheet)
- EZ Pad Group Control System (see separate sheet)
- Safety Strap

LEED® Submittal Information

Credit	Measure	
MRc4 – Recycled Content	Post Consumer Average 23.48%	Post Industrial 0%
MRc5 – Regional Materials	Raw materials are commodity items with multiple sources so extraction point cannot be determined. Final manufacturing/assembly in Spiceland, IN 47385	

Considerations for Mid-Roll Divider:

- Maximum divider size is approximately 3000 ft² [278.7 M²] or 32' [9.75 M] high or 120' [36.56 M] long, but cannot be cutout for bleachers. Allow more space for walking around the ends of the divider. A minimum of 18" [45.72 cm] of clearance is required between vertical edges and fixed objects.
- Stored dimension, from bottom of attachment point to bottom of divider, shall be 18" [45.72 cm] or less.

PROJECT: _____

ARCHITECT: _____

CONTRACTOR: _____

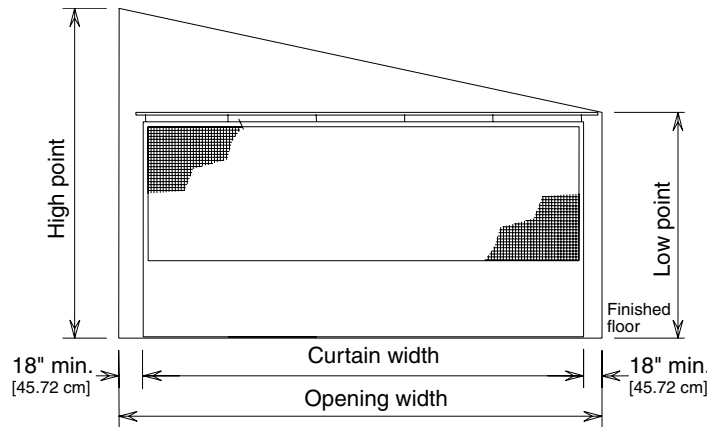
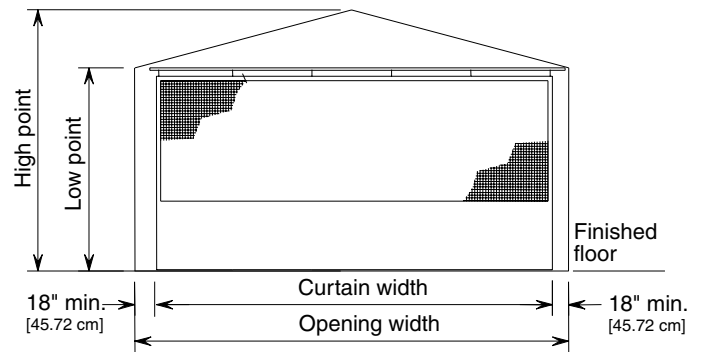
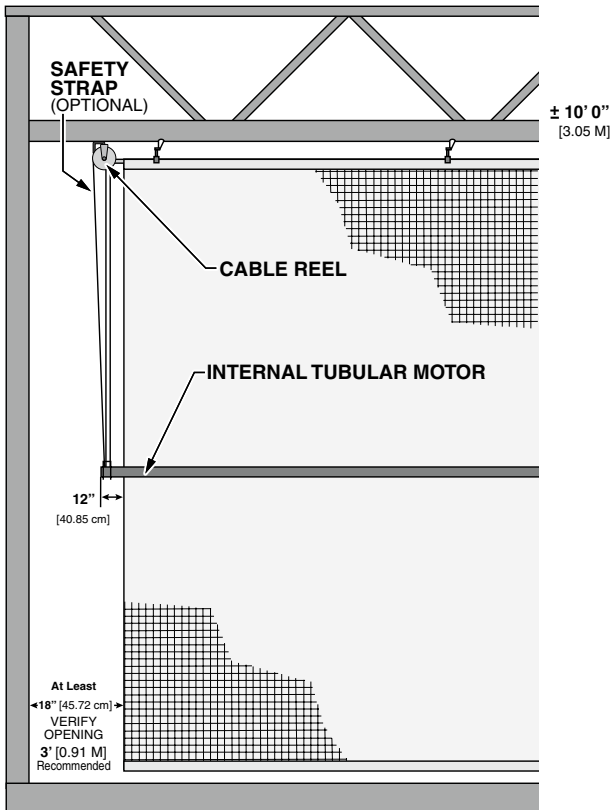
SUPPLIER: _____

DATE: _____ REVISED: _____



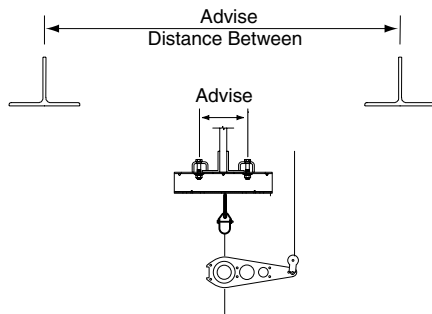
411 S. Pearl St., Spiceland, IN 47385 USA ■ 765-987-7999
www.draperinc.com ■ fax 765-987-7142

Dimensional Info

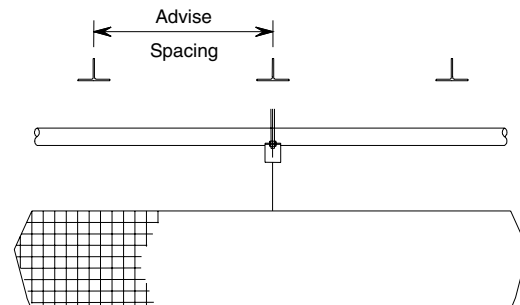


Structural relations

Between two beams



Right angle to beams



Wiring Diagram

