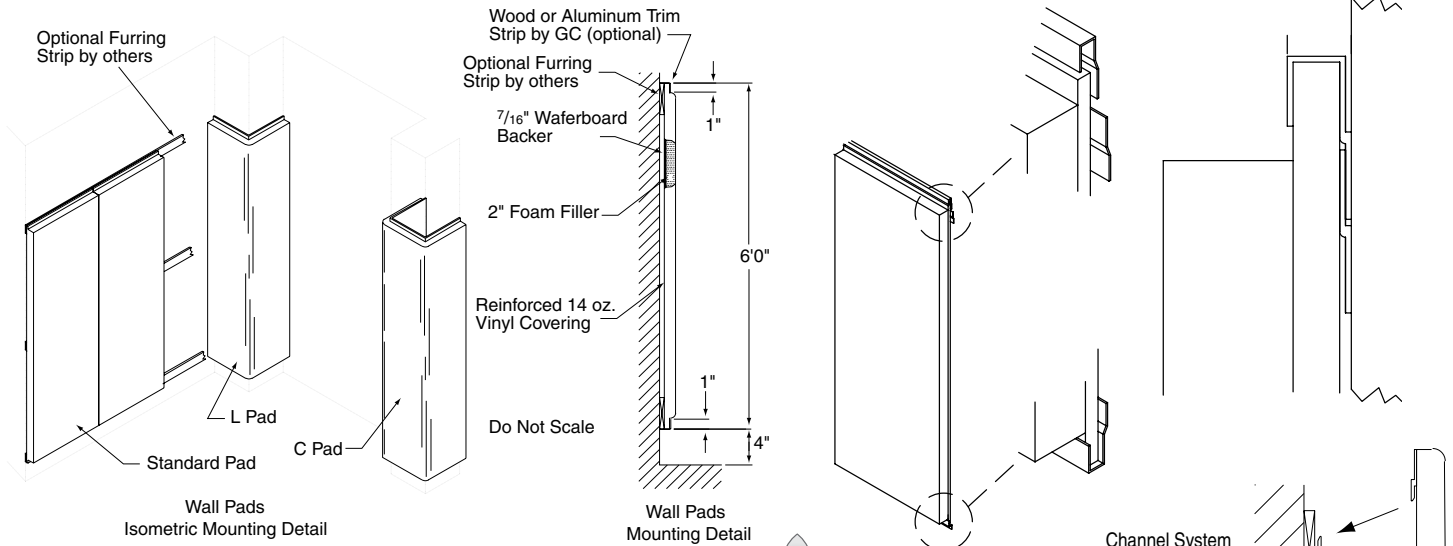


EcoVision™ Wall Pads

by DRAPER



Selections—EcoVision Wall Protection Pads

Size/Quantity

- ___ Standard size: 2' x 6' (610 x 1828 mm)
- ___ L shape: ___ x ___ x ___ (high)
- ___ C shape: ___ x ___ x ___ x ___ (high)

Pads can be custom fabricated to sizes and shapes required to accommodate structural elements, wall openings, and other project conditions. Maximum size is 4' x 8' (1.2 x 2.4 m). Supply drawing for non-rectangular pads.

Foam options

- 2" (50 mm) thick polyurethane filler (3.5 lbs. density)—**standard**
- 1½" (38 mm) thick polyurethane filler (3.5 lbs. density)
- 2" (50 mm) thick polyurethane filler (6 lbs. density)

Select Color:

- | | | |
|---------------------------------------|--------------------------------------|---------------------------------|
| <input type="checkbox"/> Red | <input type="checkbox"/> Maroon | <input type="checkbox"/> White |
| <input type="checkbox"/> Dark Blue | <input type="checkbox"/> Marine Blue | <input type="checkbox"/> Purple |
| <input type="checkbox"/> Forest Green | <input type="checkbox"/> Kelly Green | <input type="checkbox"/> Orange |
| <input type="checkbox"/> Beige | <input type="checkbox"/> Yellow | <input type="checkbox"/> Grey |
| <input type="checkbox"/> Navy Blue | <input type="checkbox"/> Black | |

Select Mounting Option:

- 1" Fabric-wrapped mounting flanges at panel top and bottom—**standard**
- Z-clip at top and 1" flange at bottom
- Z-clips at top and bottom (no flanges)
- Channel System



Part of the Draper EcoVision™ range of products

EcoVision Wall Pad Specifications

General: Wall Pads as shown on plans shall be EcoVision Wall Pads as manufactured by Draper, Inc., Spiceland, Indiana. Bidder is responsible for verification of job conditions and dimensions.

Construction: Panels shall consist of (2"1½") thick polyurethane foam bonded to a 7/16" thick waferboard backer and covered with a 14 oz. vinyl covering. Vinyl cover shall be coated polyester fabric with leather grain embossed pattern. Vinyl to have average weight of 14 oz. per square yard, breaking strength of 350 PSI, tear resistance of 65 pounds and be rated as self extinguishing in accordance with California State Fire Code F-230 and Class A Rated in accordance with requirements of NFPA-101.

Vinyl to be resistant to rot, mildew, fungus and ultraviolet light and is available in Red, Dark Blue, Marine Blue, Beige, Grey, Black, Forest Green, Kelly Green, Maroon, Orange, Yellow, White, Purple and Navy Blue.

Panel front and edges shall be vinyl wrapped and securely stapled to the wood backer so that the backer is not exposed on front or four sides.



Certifications: Entire wall pad assembly shall have been submitted to indoor air quality evaluation (IAQ) evaluation in accordance with UL 2811 test method to show compliance with emissions limits on UL 2818 Section 7.1 and 7.2. Materials are tested in accordance with ANSI/BIFMA M7.1-2011 and determined to comply with ANSI/BIFMA X7.1-2011 and ANSI/BIFMA e3-2014e credit 7.6.1, 7.6.2 and 7.6.3. Wall Pads Assembly shall qualify as low emitting and found to meet all the requirements for UL GREENGUARD GOLD certification. Material has emissions of total volatile organic compounds of < 0.22 mg/m3, formaldehyde < 0.0135 ppm, total aldehydes < 0.043 ppm, individual volatile organic compounds < 1/1000 TLV and < ½ chronic REL and total phthalates < 0.01 mg/m3.

LEED® Submittal Information

Credit	Measure
MRc4 — Recycled Content	Post Consumer Average 12.4% Post Industrial 0%
MRc5 — Regional Materials	Product Manufactured in Spiceland, IN 47385
EQ4.4 — Composite Wood & Agrifiber Products	Urea Formaldehyde Free

DRAPER

411 S. Pearl St., Spiceland, IN 47385 USA ■ 765-987-7999
 www.draperinc.com ■ fax 765-987-7142
 Copyright © 2016 Draper Inc. Form EcoVisionWallPads_Sub16-R Printed in U.S.A.

PROJECT: _____

ARCHITECT: _____

CONTRACTOR: _____

SUPPLIER: _____

DATE: _____ REVISED: _____

Stage Mats

Size/Quantity

___ L shape: 6" x ___ x ___ (high)

Foam

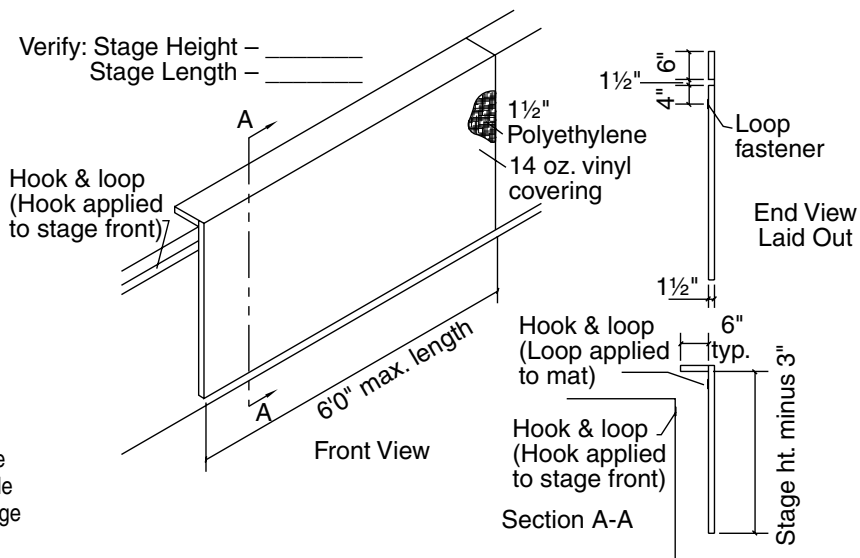
1 1/2" (38 mm) thick polyethylene filler

Vinyl Covering

Solid vinyl coated polyester fabric with embossed pattern. Weight: 14 ounces per SY. Breaking strength: 350 PSI. Tear resistance: 65 lbs. Resistant to rot, mildew, and ultraviolet light. Flammability: Rated self extinguishing in accordance with California State Fire Code F-230 and Class A Rated in accordance with requirements of NFPA-101.

Select Color:

- | | | |
|---------------------------------------|--------------------------------------|---------------------------------|
| <input type="checkbox"/> Red | <input type="checkbox"/> Maroon | <input type="checkbox"/> White |
| <input type="checkbox"/> Dark Blue | <input type="checkbox"/> Marine Blue | <input type="checkbox"/> Purple |
| <input type="checkbox"/> Forest Green | <input type="checkbox"/> Kelly Green | <input type="checkbox"/> Orange |
| <input type="checkbox"/> Beige | <input type="checkbox"/> Yellow | <input type="checkbox"/> Grey |
| <input type="checkbox"/> Navy Blue | <input type="checkbox"/> Black | |



Removable Mats for Wall Protection

Size/Quantity

___ mats, (width, 2' increments) ___ x ___ (high)

Foam

1 1/2" (38 mm) thick polyethylene filler

Vinyl Covering

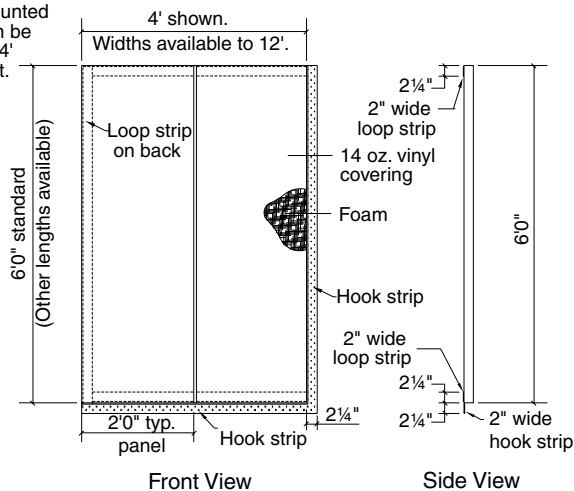
Solid vinyl coated polyester fabric with embossed pattern. Weight: 14 oz./sq. yd. Breaking strength: 350 PSI. Tear resistance: 65 lbs. Resistant to rot, mildew, and ultraviolet light. Flammability: Rated self extinguishing in accordance with California State Fire Code F-230 and Class A Rated in accordance with requirements of NFPA-101.

Select Color:

- | | | |
|---------------------------------------|--------------------------------------|---------------------------------|
| <input type="checkbox"/> Red | <input type="checkbox"/> Maroon | <input type="checkbox"/> White |
| <input type="checkbox"/> Dark Blue | <input type="checkbox"/> Marine Blue | <input type="checkbox"/> Purple |
| <input type="checkbox"/> Forest Green | <input type="checkbox"/> Kelly Green | <input type="checkbox"/> Orange |
| <input type="checkbox"/> Beige | <input type="checkbox"/> Yellow | <input type="checkbox"/> Grey |
| <input type="checkbox"/> Navy Blue | <input type="checkbox"/> Black | |

Removable Folding Mat (Hook & Loop Attachment)

Optional: 2" Hook strips mounted on 2 1/4" aluminum strips can be supplied for wall mounting. 4' supplied with each 2' of mat.



Hook & Loop Options:

- Hook & Loop on 2 sides
- Hook & Loop on 4 sides
- 2" Hook strips mounted on 2 1/4" aluminum strips