

504301 Curtain Lok

Drive Shaft Style Divider
Curtain Safety Device

by



Specifications—504301 Curtain Lok Drive Shaft Style Divider Curtain Safety Device

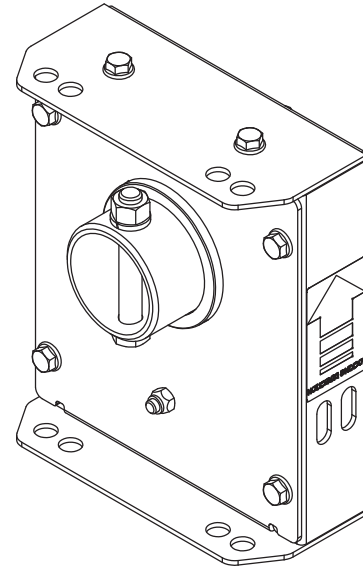
Product Description

Drive Shaft Style Curtain Safety Device shall be the Draper Model 504301 Curtain Lok by Draper, Inc., Spiceland, IN.

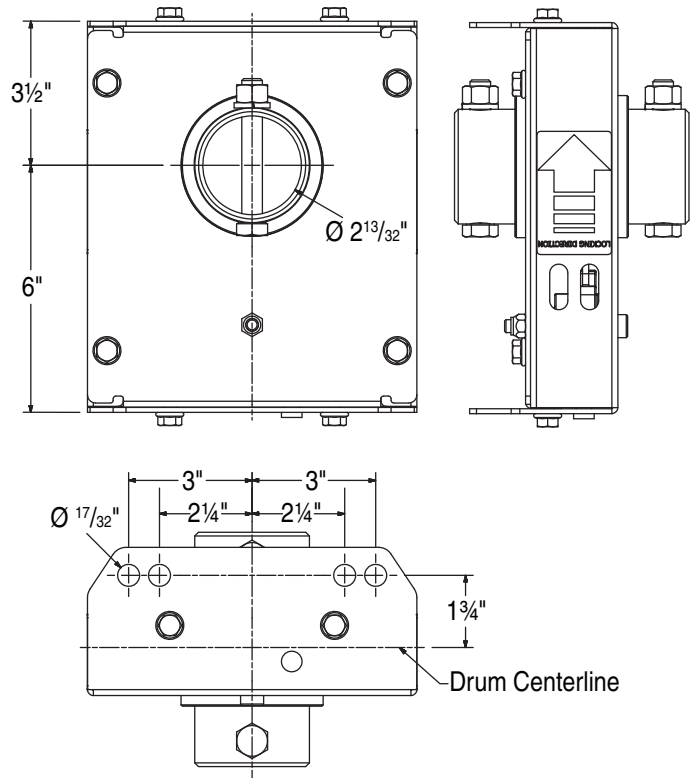
Curtain Lok is speed sensitive to automatically lock a divider curtain in position at any time whether in storage or during the raising/lowering cycle. In the event of an over-speed situation caused by a malfunction of the hoisting apparatus, any increase in cycle speed, whether sudden or gradual, immediately activates the locking device. The locking mechanism shall react to the actual speed of the drive shaft and prevent it from exceeding a speed of 1.5 feet per second.

The locking mechanism is fail-safe, so that any sticking, jamming or breakage of any of the components of the arresting mechanism results in immediate, positive locking of the drive shaft. The locking mechanism is self-checking and actively and positively confirms, six times per revolution, that the shaft is traveling at a safe speed. The unit incorporates a fully automatic reset when equipment is repaired and load removed and requiring no poles, ropes, levers or buttons to be used for rest. The unit has an interlocking all-steel frame for strength and is powder coated for corrosion resistance and a modern, aesthetically pleasing appearance.

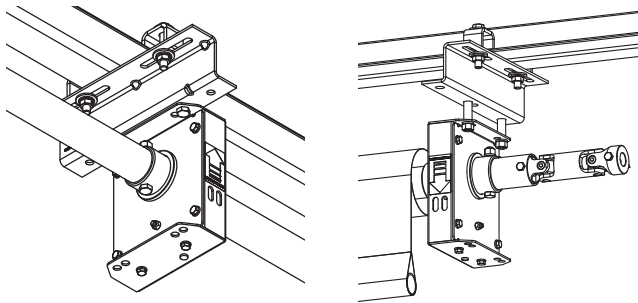
Downloadable 3-part specifications are available at www.draperinc.com.



Curtain Lok Dimensions

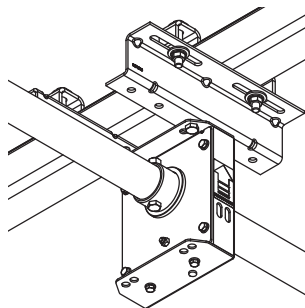


Curtain Lok Mounting Details



Parallel

Parallel—Top Roll



Perpendicular



411 S. Pearl St., Spiceland, IN 47385 USA ■ 765-987-7999
www.draperinc.com ■ fax 765-987-7142

PROJECT: _____

ARCHITECT: _____

CONTRACTOR: _____

SUPPLIER: _____

DATE: _____ REVISED: _____