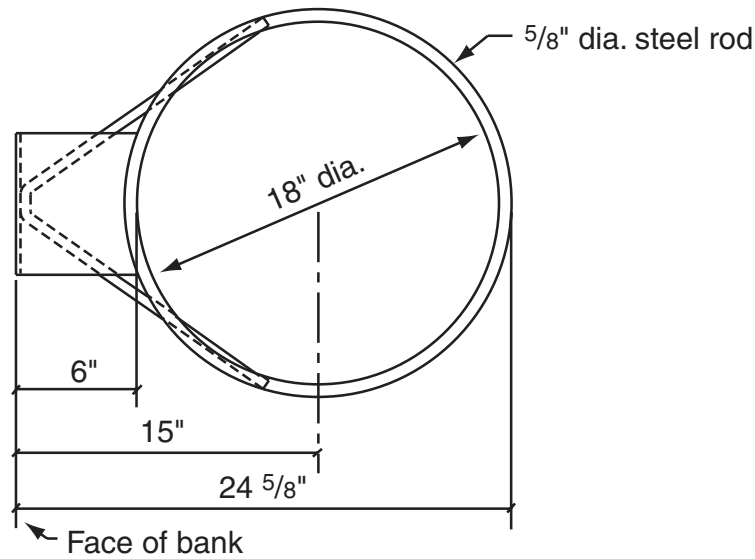


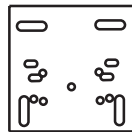
# EZ Fold<sup>®</sup> 503572

Heavy-Duty Stationary  
Basketball Goal

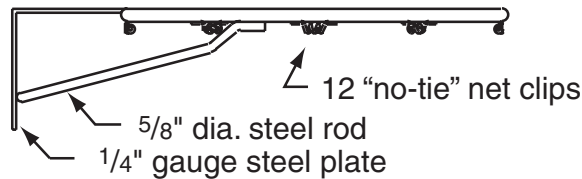
by **DRAPER**



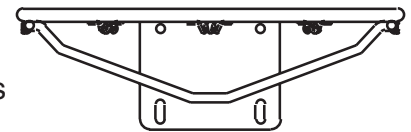
Top View



Universal Goal mounting plate detail



Side View



Front View

## Specifications—EZ Fold 503572 Heavy-Duty Stationary Basketball Goal with Hardware and Net

### Product Description

503572 rim shall be fabricated from a 5/8" diameter CF1045 high strength cold drawn alloy steel rod formed into an 18" inside diameter ring. Inside of goal ring shall be positioned 6" from the face of backboard. Ring shall be welded to an 1/4" thick steel, L-shaped mounting plate with mounting holes centered to match 5" x 5" or 5" x 4" backboard mounting holes. Goal will mount on standard glass, fiberglass, aluminum, steel and wood banks.

The goal ring shall be rigidly braced to the mounting plate by means of a 5/8" diameter high strength cold drawn alloy round steel rod formed and welded in position for maximum strength. Goal ring shall be provided with twelve "no tie" net attachment clips, welded to rim for net attachment.

Heavy Duty Goal shall be capable of supporting up to an 800 pound load on the outer edge of the goal ring and under dynamic loading shall flex downward up to 2 3/4" without permanent damage to goal.

Goal shall be finished in an official durable orange powder coat paint.

Goal shall be furnished with zinc plated mounting hardware and high quality white nylon net.

**DRAPER**<sup>®</sup>

411 S. Pearl St., Spiceland, IN 47385 USA ■ 765-987-7999  
www.draperinc.com ■ fax 866-637-5611

Copyright © 2010 Draper Inc. Form EZ-503572-HeavyDutyGoal\_Sub10 Printed in U.S.A.

PROJECT: \_\_\_\_\_

ARCHITECT: \_\_\_\_\_

CONTRACTOR: \_\_\_\_\_

SUPPLIER: \_\_\_\_\_

DATE: \_\_\_\_\_ REVISED: \_\_\_\_\_