

# 503342 - Smart Gym WiFi Kit

Interface with Draper Smart Gym Control System to be via mobile tablet device



## Specifications—

Interface with Draper Smart Gym Control System to be via mobile tablet device (sold separately) using the Draper No. 503342 Wi-Fi kit and mobile device equipped with the appropriate application and project specific program. System allows for control of Basketball Backstops, Height Adjusters, Gymnasium Divider Curtains, Mat Lifters, and other electrical products in conjunction with a 503024 Smart Gym Processor Assembly and one or more Smart Gym Relay Panels. Smart Gym Wi-Fi kit is available for IOS® and Android® devices and the application and program can be loaded on an owner supplied device if sent to Draper for programming.

System consists of a router factory installed in the Smart Gym Processor assembly and a remote wireless access point to be mounted at approximately the center of the gymnasium. Wireless access points have a range of about 150 feet in all directions. Every room will require a Wireless Access Point and large facilities, may require multiple wireless access points. Use part number 503343 to include additional Wireless Access Points. Wireless Access Point requires connection to 115 volt circuit and an Ethernet connection to the Smart Gym Processor.

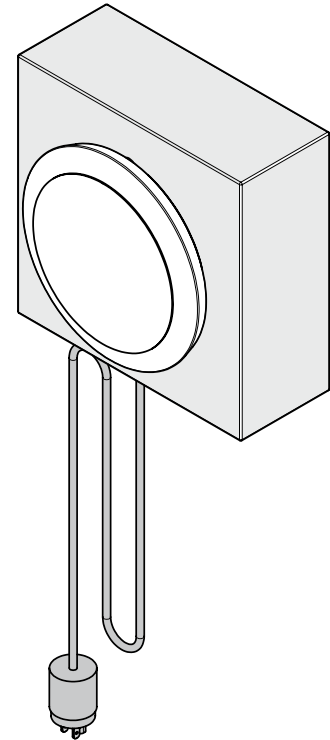
The 503342 Wi-Fi kit provides a private wireless network that requires a specific mobile device application and project specific program loaded into the application. The control system is not connected to any outside networks, computers or the internet to reduce the possibility of unauthorized or unsafe operation of equipment. To operate devices, user must enter a four digit password that is fully programmable by the user, Smart Gym Systems includes a hard coded back door password that can be provided by Draper only in the event that user password is lost or forgotten.

## Electrical Contractor or other parties shall provide and install:

- ① All Conduits complete with wire from power source to control processor, from power source to relay panels, from relay panels to devices being operated, from control processor to relay panels (low voltage), from control processor to touch screen (Ethernet).
- ② If optional Wi-Fi Tablet Control Kit is Included – all conduits including wire from power source to Wireless Access Point and from control processor to Wireless Access Point (Ethernet).
- ③ Horizontally mounted single Gang Switch Box for each No. 503338 Touch Screen.

## Please Mark Appropriate Selections

- 503342 Smart Gym Wi-Fi Kit - factory installed router and one access point – Quantity \_\_\_\_\_
- 503343 Additional Wireless Access Point – Quantity \_\_\_\_\_
- 503345 Apple I-Pad® 9.7" Tablet with Smart Gym Program – Quantity \_\_\_\_\_
- 503346 Samsung Galaxy® 9.7" Tablet with Smart Gym Program – Quantity \_\_\_\_\_
- 503347 Smart Gym Program installed on facility supplied Device – Quantity \_\_\_\_\_  
(Device will need to be sent to Draper for programming)



411 S. Pearl St., Spiceland, IN 47385 USA ■ 765-987-7999  
www.draperinc.com ■ fax 765-987-7142

Copyright © 2016 Draper Inc. Form 503342 - SmartGym\_WiFiKit\_Sub16 Printed in U.S.A.

PROJECT: \_\_\_\_\_

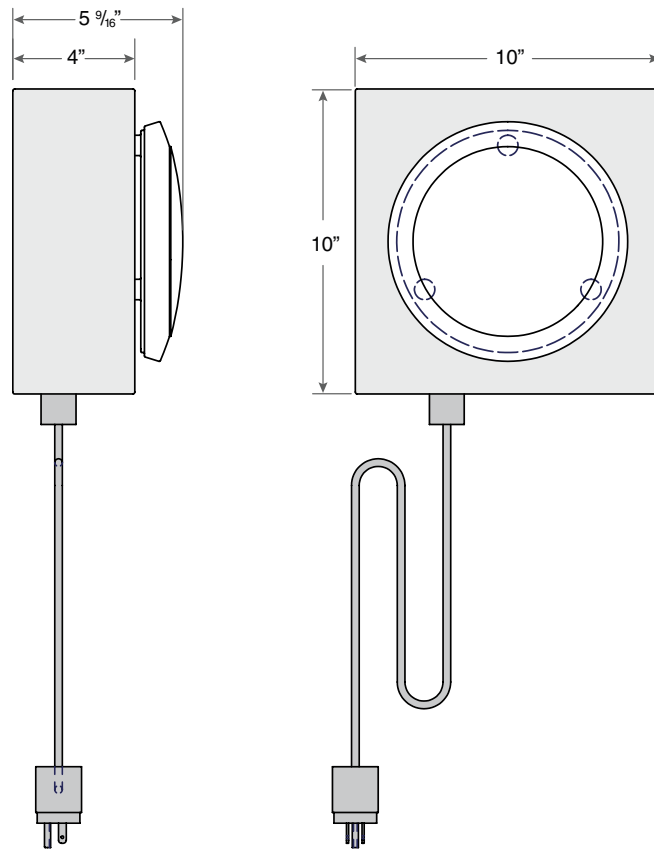
ARCHITECT: \_\_\_\_\_

CONTRACTOR: \_\_\_\_\_

SUPPLIER: \_\_\_\_\_

DATE: \_\_\_\_\_ REVISED: \_\_\_\_\_

**Dimensions**



**Wiring Diagram**

