

503339 - Smart Gym 7 Inch Touch Screen

Electronic touch pad enables control of electrically operated gym equipment



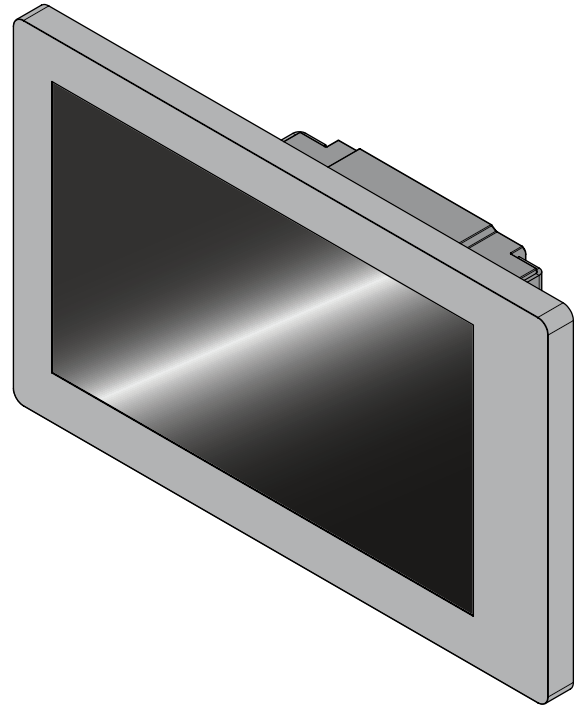
Specifications—

Interface with Draper Smart Gym Control System to be via No. 503339 Smart Gym 7 Inch (measured diagonally) graphic style touch screen. Screen can control Basketball Backstops, Height Adjusters, Gymnasium Divider Curtains, Mat Lifters, and other electrical products in conjunction with a 503024 Smart Gym Processor Assembly and one or more Smart Gym Relay Panels. Screen has a clean modern appearance, a thin profile and an 800 x 480 WVGA resolution active matrix color display. Touch Screen communicates with the Smart Gym Processor assembly via Cat 5 or Cat 6 Ethernet communications (provided by others).

The Draper No. 503339 Smart Gym 7 Inch Graphic Screen can feature graphical court displays to make navigation and control of gymnasium equipment and other devices very simple and user friendly. Draper No. 503339 Touch Screen mounts in typical 2-gang (4" x 3") or 3-gang (6" x 3") switch box.

Touch Screen(s) should be located so that operator can clearly see all items to be operated with each screen. Only one Touch Screen is required for each Smart Gym Control System, but multiple screens can also be utilized. Systems with multiple touch screens can utilize any combination of Draper Touch Screen Models and/or Wi-Fi Tablet Controls.

Smart Gym Control allows for operation of items individually or as a member of one or more groups. The number of items in a group and group combinations is limited by the number of circuits and the items connected to each circuit. Careful project planning can allow large and highly functional group and even groups that simultaneously operate devices in opposite directions. Contact Draper or your local Draper Gymnasium Equipment Representative for assistance with planning for the use of a Smart Gym Control System



Electrical Contractor or other parties shall provide and install:

- ① All Conduits complete with wire from power source to control processor, from power source to relay panels, from relay panels to devices being operated, from control processor to relay panels (low voltage), from control processor to touch screen (Ethernet).
- ② If optional Wi-Fi Tablet Control Kit is Included – all conduits including wire from power source to Wireless Access Point and from control processor to Wireless Access Point (Ethernet).
- ③ One standard sized 2-gang or 3-gang switch box for each No. 503039 Touch Screen.



411 S. Pearl St., Spiceland, IN 47385 USA ■ 765-987-7999
www.draperinc.com ■ fax 765-987-7142

Copyright © 2016 Draper Inc. Form 503339 - SmartGym_Sub16 Printed in U.S.A.

PROJECT: _____

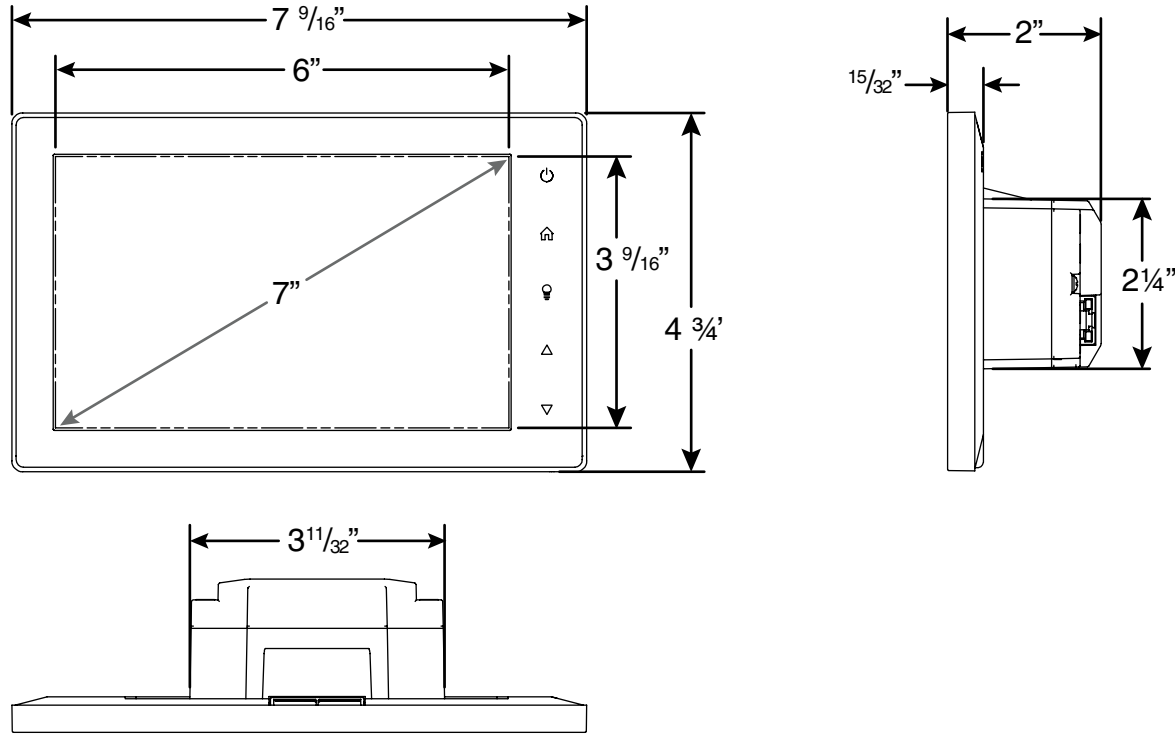
ARCHITECT: _____

CONTRACTOR: _____

SUPPLIER: _____

DATE: _____ REVISED: _____

Dimensions



Wiring Diagram

