

EZ Fold® 503167

Official 72" x 42" Rectangular
Steel Basketball Backboard

by DRAPER

Specifications—EZ Fold 503167

Official 72" x 42" Rectangular Steel Basketball Backboard

Product Description

503167 Backboard is 72" x 42", constructed of a single piece of 12 gauge steel reinforced with four 12 gauge horizontal channel sections, and one heavy 10 gauge vertical channel. The backboard face shell has a 1-½" deep flange. All reinforced sections are welded to the main outer shell and to each other to make a single, vibration-free unit.

Mounting keyhole type slots are positioned in center of horizontal reinforced channels located on 20" vertical and 35" horizontal centers (standard fan shaped backboard mounting). Backboard is finished with gloss white powder coat and silk-screened orange perimeter and target area markings. Goal mounting holes are at 5" (horizontal) x 5" (vertical).

Lifetime Limited Warranty

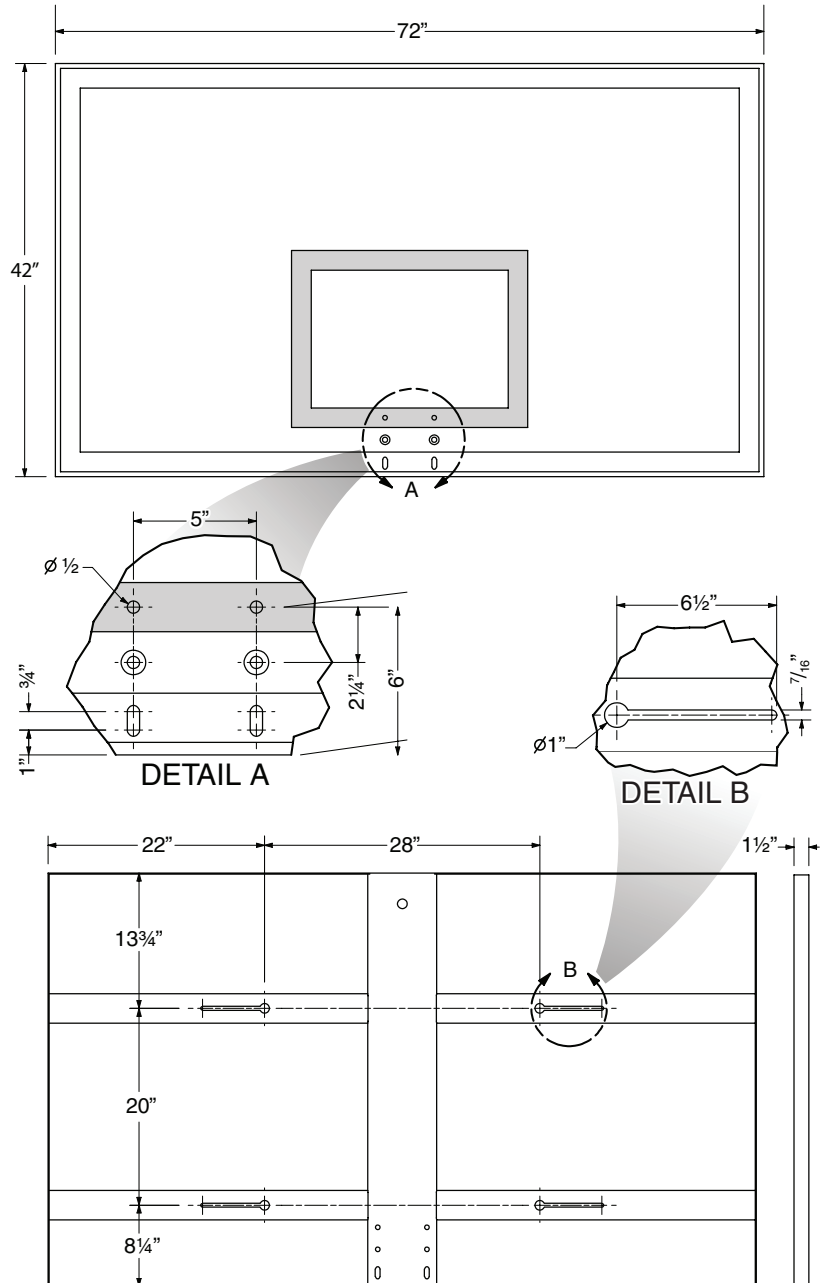
Backboard has a Lifetime Limited Warranty when installed on an EZ Fold basketball backstop with Goal Brace or Direct Mount Height Adjuster.

Optional 503253 Backboard Safety Padding

Padding to protect bottom and 15" up each side of the backboard meets all NCAA, NFHS and professional rule requirements. Padding is made of a durable neutral gray, open cell foam material providing full 2" thickness from the bottom and sides of backboard frame. Front and back surfaces of backboard frame are further protected by a 1" thick lip extending ¾" up from bottom and sides of backboard.

Padding is secured to the backboard frame by easily applied high strength glue. Glue and brush provided.

This pad is for use with all rectangular shaped glass, wood, fiberglass and steel backboards.



DRAPER

411 S. Pearl St., Spiceland, IN 47385 USA ■ 765-987-7999
www.draperinc.com ■ fax 765-987-7142

Copyright © 2015 Draper Inc.

Form EZ-503167_Sub15

Printed in U.S.A.

PROJECT: _____

ARCHITECT: _____

CONTRACTOR: _____

SUPPLIER: _____

DATE: _____ REVISED: _____