

EZ Fold® 503150

Official 54" x 39" Fan Glass
Basketball Backboard

by DRAPER

Specifications—EZ Fold 503150

Official 54" x 39" Fan Glass
Basketball Backboard

Product Description

503150 Bank shall consist of 1/2" thick tempered glass (54" x 39"), and shall conform to guidelines outlined under ASTM C 1048-85 ANSI Standard Z97.1, U.S. Consumer Products Safety Commission Standard 16 CFR 1201 CI and CII, Federal Specification DD-G-001403.

All holes in glass for purpose of hardware mounting shall be drilled oversize at 1/4" and shall be protected from hardware contact by a rubber grommet with no less than 3/16" wall thickness.

Perimeter frame shall be composed of high strength aluminum extrusion, with a clear anodized non-glare surface which requires no maintenance.

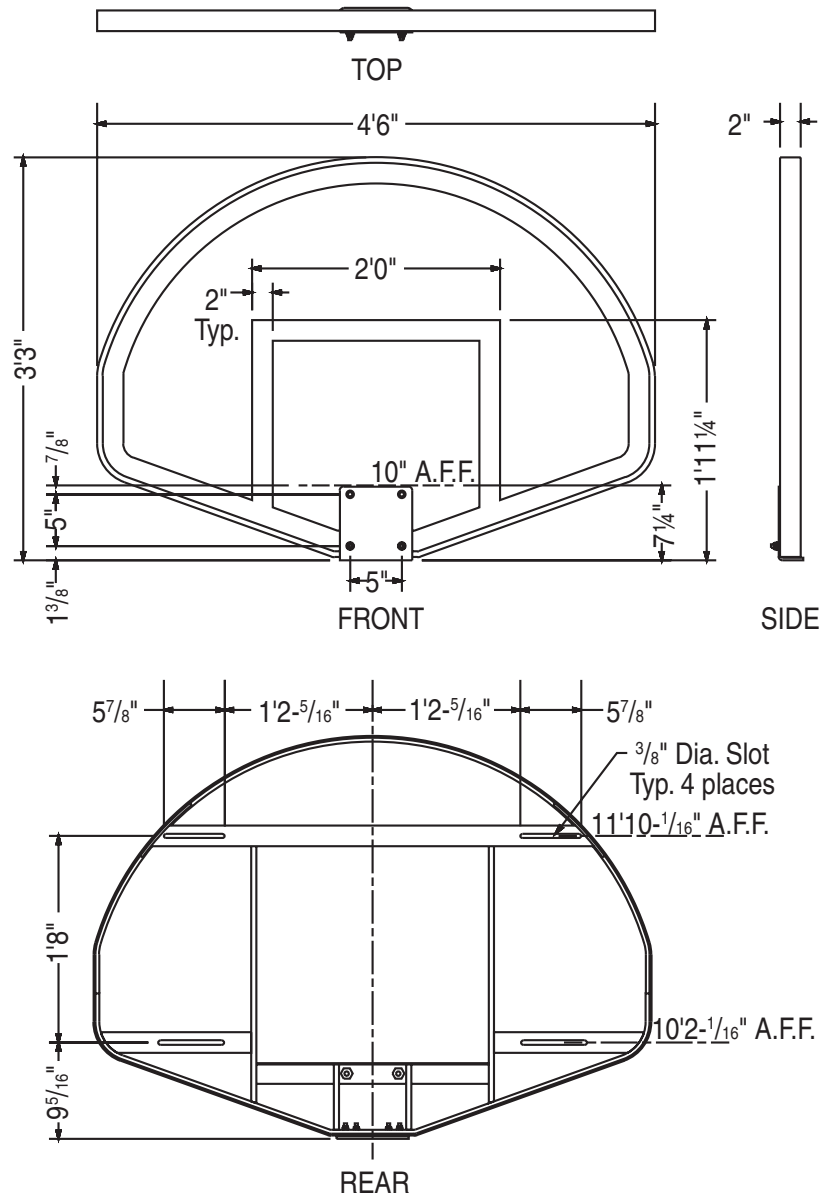
Official white border and target areas are permanently fused onto the glass and cannot wear away.

Mounting brackets (4) with slots provided on perimeter frame of bank at standard mounting centers, 35" wide and 20" high.

Goal mounting structure shall be of a heavy, high tensile aluminum plate which is secured to lower frame to minimize stress on glass. Goal mounting holes (4) shall be standard 5" (horizontal) x 5" (vertical) mounting centers.

Lifetime Limited Warranty

Backboard shall be covered by a Lifetime Limited Warranty when installed on a Draper EZ Fold basketball backstop with Goal Brace or Direct Mount Height Adjuster. Contact Draper to request full warranty text.



DRAPER®

411 S. Pearl St., Spiceland, IN 47385 USA ■ 765-987-7999
www.draperinc.com ■ fax 866-637-5611
Copyright © 2013 Draper Inc. Form EZ-503150_Sub13-R Printed in U.S.A.

PROJECT: _____

ARCHITECT: _____

CONTRACTOR: _____

SUPPLIER: _____

DATE: _____ REVISED: _____

