

### Specifications—503091 Plug Kit for Backstop or Divider Winch

Draper's 503091 Plug Kit is available to provide a local disconnect for a basketball backstop electric winch, electrically operated divider curtain or electric height adjuster. Plug kit consists of one four-prong NEMA L14-20P twist lock plug, one matching NEMA L14-20 twist lock grounded receptacle and one matching ½" deep cover for a 4" electrical box. Plug to be field installed to whip attached to backstop or divider winch.

All wiring and electrical components are to be in accordance with local codes and as per manufacturers installation instructions. All conduits, wiring and electrical components not specified herein, shall be supplied by the electrical contractor.

### Instructions—503091 Plug Kit for Backstop or Divider Winch

#### Parts List:

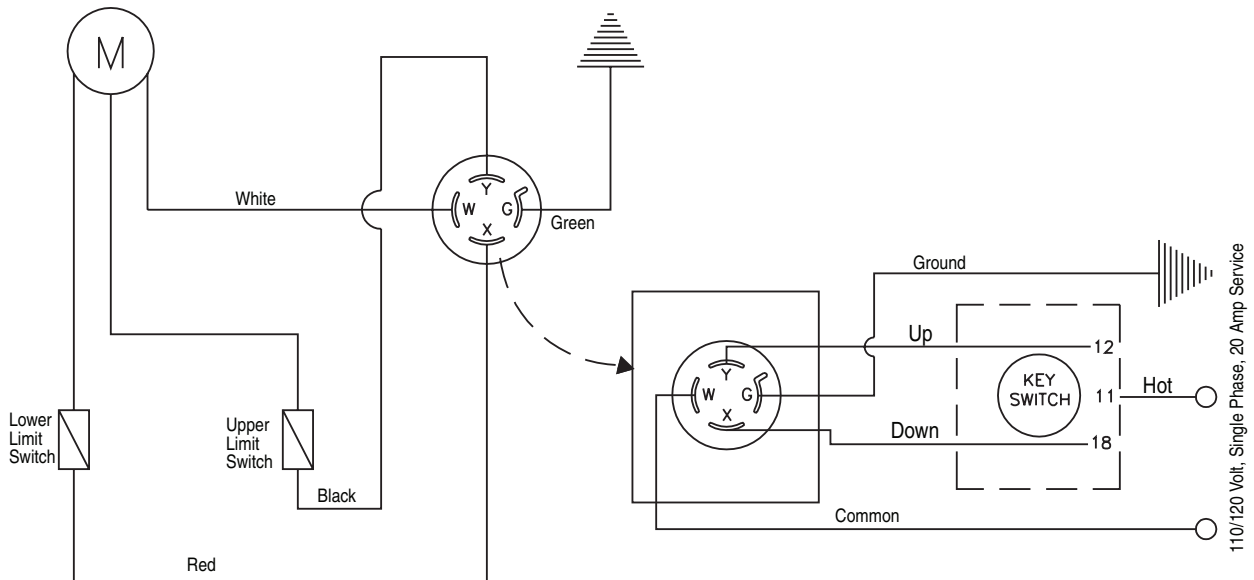
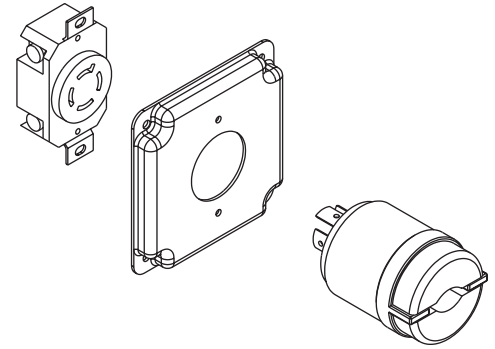
- 1 C079.079 Plug- Twist Lock - NEMA L-14-20P
- 1 C201.007 Receptacle – Twist Lock – NEMA L14-20
- 1 C095.121 4" Cover x ½" Deep w/1.618" Hole with Screws

#### Overview

The Draper 503091 Plug Kit is available to provide a local disconnect for a basketball backstop electric winch or an electrically operated divider curtain.

**Please Note: Electrician should install Draper supplied twist lock receptacle and cover within 3' of location of winch or motor as shown on the project submittals.**

- ① If using with Draper Backstop Winch or Divider Curtain or Electric Height Adjuster: Connect the C079.079 male twist lock plug to the whip that is attached to the device. The cord should be connected with the green wire hooked to terminal G, white wire connected to terminal W, red wire connected to terminal X and the black wire connected to terminal Y (see wiring diagram).
- ② Insert winch cord plug into female receptacle into receptacle installed by electrician.



Circuit breaker rated amp: 20 amp	
Fused circuit rated amp: 20 amp	
Minimum Wire Size	
90' maximum run	12 ga.
90' to 140' run	10 ga.
Over 140' run	8 ga.
Sizes of wall masonry boxes required for single and ganged key switches - All boxes 2" deep and 4" high	

PROJECT: \_\_\_\_\_

ARCHITECT: \_\_\_\_\_

CONTRACTOR: \_\_\_\_\_

SUPPLIER: \_\_\_\_\_

DATE: \_\_\_\_\_ REVISED: \_\_\_\_\_