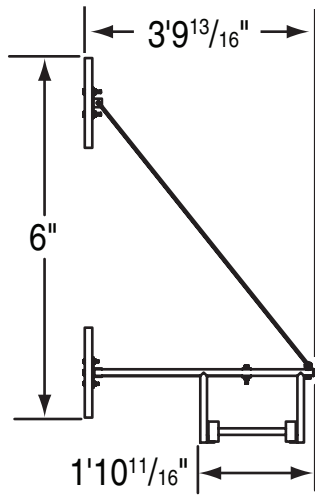
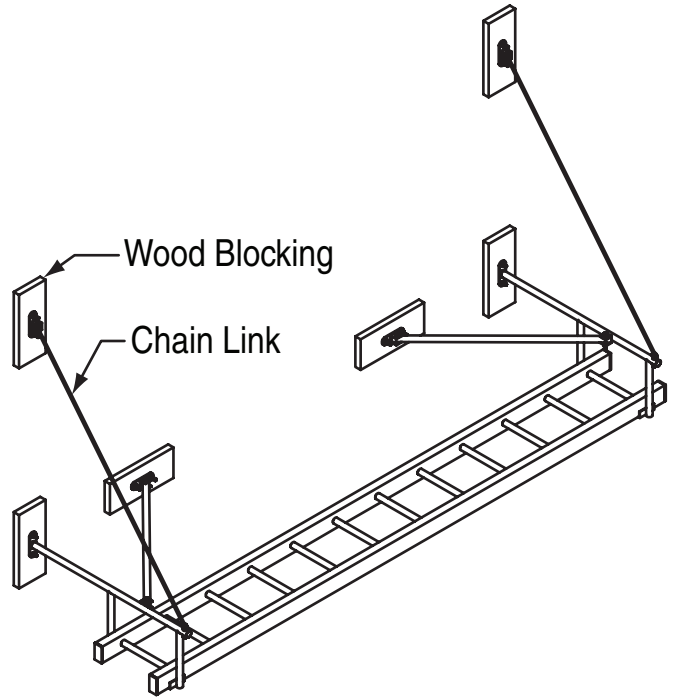


Specifications—Wall Mounted Horizontal Ladder 502025

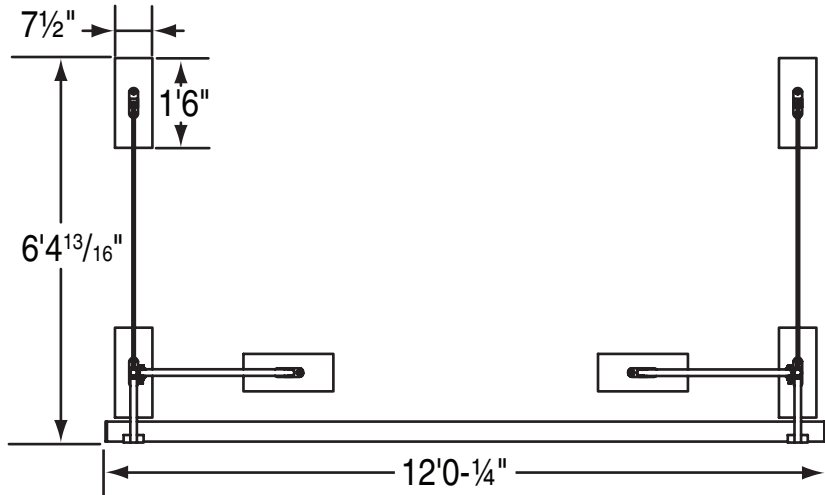
Product Description

Overall dimension of ladder shall be 12'0-1/4" long x 18" wide and shall extend 45¹³/₁₆" from the wall. Side rails shall be constructed of rectangular steel tube and round tubular rungs are securely welded to side rails. Ladder shall be supported by welded steel frames for maximum strength and durability. Inner diagonal braces included for lateral support and heavy duty steel chains added for extreme rigidity. Extension frame shall position ladder approximately 23" from wall. Ladder height will be determined by the user and/or installer. Entire ladder assembly shall be finished with durable and attractive blue powder coat.

Assembly hardware, wood stringers and mounting instructions shall be provided. Hardware for mounting to wall shall be provided by others to meet requirements for specific wall construction.



SIDE VIEW



FRONT VIEW



PROJECT:	_____
ARCHITECT:	_____
CONTRACTOR:	_____
SUPPLIER:	_____
DATE:	_____
REVISED:	_____