

# 5014XX

Freestanding, Folding Judges Stand with Protective Pads

by DRAPER

**Specifications—5014XX**  
**Freestanding, Folding Judges Stand with Protective Pads**

**Product Description**

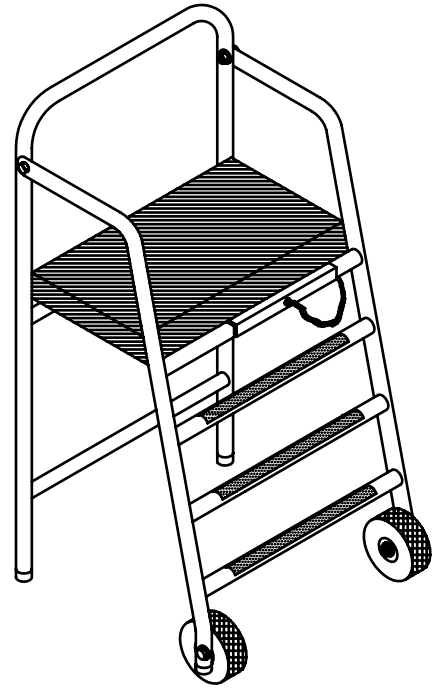
Judges Stand shall be #5014XX, by Draper, Inc. of Spiceland, IN. Judges stand shall be designed to be free-standing and does not require attachment to a volleyball post for stability. Frame shall be constructed of sturdy 1<sup>5</sup>/<sub>16</sub>" OD steel tubing with a tough and attractive gloss black powder coat finish. All four legs have protective rubber tips.

Thirty inch wide judges platform shall consist of vinyl covered plywood that is fully padded on front and sides for player safety. Platform is located 48" above playing surface. Maximum allowable load is 250 Lbs.

Platform folds flat to an overall size of 84" (h) x 30" (w) x 10" (d) for easy storage and transportation. Judges stand includes two 4" non-marking wheels for easy transportation.

Judges stand shall be supplied complete safety padding for player protection. Each leg and cross member toward the court shall have 1" thick urethane foam and 14 oz. leather-grain embossed wraps with hook and loop attachment. Standard pad color is dark blue (optional vinyl colors also available, see below).

Last two digits indicate pad color. Colors available: 01 White; 02 Marine Blue; 04 Red; 05 Beige; 06 Orange; 07 Yellow; 08 Grey; 09 Maroon; 10 Dark Blue (standard); 11 Black; 12 Purple; 13 Forest Green; 14 Kelly Green; 15 Navy Blue. Consult your Draper, Inc. dealer for details and color sample chart.



**Please Mark Appropriate Selections**

**Select Power Volleyball System**

5014XX Volleyball Judges Stand  
 How Many Units? \_\_\_\_\_

**Note Pad Color:** \_\_\_\_\_

01 White; 02 Marine Blue; 04 Red; 05 Beige; 06 Orange; 07 Yellow; 08 Grey; 09 Maroon; **10 Dark Blue (standard)**; 11 Black; 12 Purple; 13 Forest Green; 14 Kelly Green; 15 Navy Blue. Consult your Draper, Inc. dealer for details and color sample chart.

**LEED® Submittal Information**

Credit	Measure	
MRC4 – Recycled Content	Post Consumer Average 24.4%	Post Industrial 0%
MRC5 – Regional Materials	Raw materials are commodity items from multiple sources so extraction point cannot be determined. Final Manufacturing/Assembly in Spiceland, IN 47385.	

DRAPER

411 S. Pearl St., Spiceland, IN 47385 USA ■ 765-987-7999  
 www.draperinc.com ■ fax 765-987-7142

Copyright © 2015 Draper Inc. Form VB-5014XX\_Sub15 Printed in U.S.A.

PROJECT: \_\_\_\_\_  
 \_\_\_\_\_  
 ARCHITECT: \_\_\_\_\_  
 CONTRACTOR: \_\_\_\_\_  
 SUPPLIER: \_\_\_\_\_  
 DATE: \_\_\_\_\_ REVISED: \_\_\_\_\_