

Installation Instructions

Ridge-Fold Gym Divider by Draper

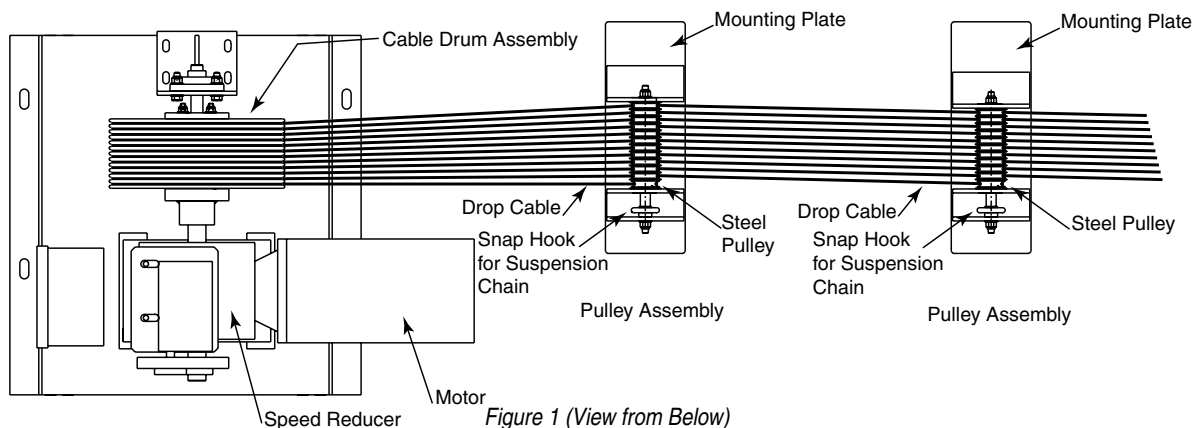
Caution

- ① Locate and identify all parts using the hardware list and drawings, which are packed in hardware carton. Do not discard with packing material.
 - ② DO NOT touch divider curtain while it is in motion.
 - ③ Key switch is packed in winch crate; do not discard. Divider operates on 110-120V, 60 Hz current (unless noted otherwise).
 - ④ **Key switch or controls to be in full view of both sides of curtain during operation.**
 - ⑤ Wiring diagram is located inside the cover of the limit switch box on the winch system.
 - ⑥ **Do Not** unwrap cables from drum winch assembly.
- NOTE: Winch has been tested and found to be operating correctly prior to shipment.

These instructions are meant as a guide only. They do not imply any responsibility on the part of Draper, Inc. for improper installation or faulty workmanship at the jobsite.

Hardware Installation

- ① Verify overall height and width with shop drawing.
 - ② Install winch per location shown on shop drawing.
- Please Note:** Use the dimensions on the shop drawing. Do not measure the curtain and place hardware based on those measurements. Curtain fabric will be wider than final installed width.
- ③ Winch is shipped with cables in the Full Down position. Make sure to set the down limit switch prior to operating the winch, to ensure that you don't reverse wrap the cables.
 - ④ Attach cable pulley assemblies in locations shown on shop drawing.
- Please Note:** Use the dimensions on the shop drawing. Do not measure the curtain and place hardware based on those measurements. Curtain fabric will be wider than final installed width.
- ⑤ Make sure cable pulley assemblies are installed with the steel pulleys in alignment with the #1 cable (closest to gearbox) on the winch assembly. All nylon pulleys should be on the same side of the divider (see Fig. 1).
 - ⑥ Beginning with the longest cable (the one that runs furthest from the top of each pulley on the pulley assemblies. There is one cable that drops vertically from each pulley assembly and this cable must drop from the steel pulley. The nylon pulleys will guide the remaining cables from one pulley assembly to the next. Make sure the cables are not twisted together between pulley assemblies.



Curtain Installation

- ① Lay the curtain out with the top of the curtain close to the dangling aircraft cables.
- ② Slide 1 5/8" top and bottom batten tubes into pocket one section at a time, assembling as you go. Use 1 3/8" OD x 14" tube to connect section of batten tube. Splice should be installed so equal portions are inside tube that is being connected (see Fig. 3). Rotate batten to align the pre-drilled and tapped holes in batten. Secure with 5/16" x 1/4" set screws.

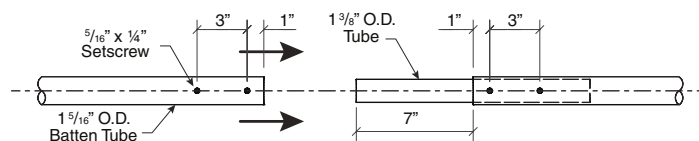


Figure 2

At pivot points along the top batten, install a pear-shaped snap hook in the center of each pivot, and connect sections using eyebolts and nylon locking nuts. SEE BATTEN LAYOUT SHOP DRAWING.

- ③ Attach cable to top batten. At pivot points, make a **small** cut in the pocket above the pipe, wrap cable around batten and temporarily secure with cable clamps. At other attachment points, make a small cut just below the batten, wrap cable around batten, and temporarily secure with cable clamps.
- ④ Operate winch to raise curtain into position.
- ⑤ Once raised to proper height, attach clamps hanging from the pulley assemblies to the top batten, using small holes for lower clamp bolts, and secure chains at pivot points by connecting the chain to the pear-shaped snap hooks. Disconnect the 1/8" cables from the top batten.

Please Note: Perform step 5 above from the center of the curtain out to one edge, then from the center out to the other edge. This allows you to keep the slack fabric between each cable evenly distributed.

Adjustments

- ① If necessary, relocate pulley assemblies to ensure that drop cables and chains are vertical. (Note: center chain will not be vertical.)
- ② To ensure that the bottom of the curtain is level, use 2" wooden blocks to hold curtain off floor during adjustment.
- ③ Operate curtain up to stored position and set limit. Operate curtain to the down position and verify down limit setting. There should be very little slack in the cables. Repeat step 8 to remove any excess cable.

Continued on page 2

DRAPER

411 S. Pearl St., Spiceland, IN 47385 USA ■ 765-987-7999
 www.draperinc.com ■ fax 765-987-7142
 Copyright © 2016 Draper Inc. Form RidgeFold_Inst16-R Printed in U.S.A.

If you encounter any difficulties installing or servicing your Ridge-Fold Gym Divider, call your dealer or Draper, Inc., Spiceland, Ind., (765) 987-7999 or fax (765) 987-7142.

- ⑥ Thread cables through grommets in curtain.
- ⑦ Slide bottom batten into bottom pocket one section at a time, assembling as you go. SEE BATTEN LAYOUT SHOP DRAWING.
- ⑧ At pivot points, pass cable through pear-shaped snap hooks. At other attachment points, cut a **small** slit in the upper part of the pocket and wrap cable once around 1 5/8" bottom batten. Secure with cable clamps, and trim excess cable (see Fig. 3).

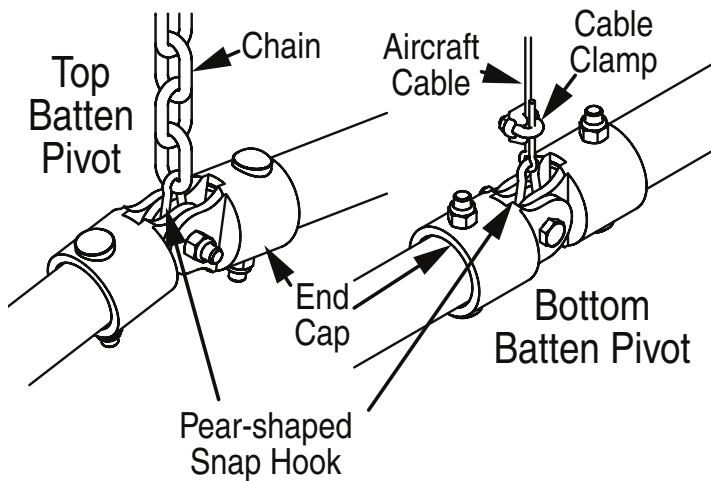


Figure 3

- ④ The chains connecting the top of the curtain to the pulley assemblies can be shortened or lengthened to raise or lower the position of the curtain.

Limit Switch Adjustment

⚠ CAUTION: Setting the limit switches is a hazardous operation. To set the limit switches you must access the hoist while the cable is installed. Lock out and tag the electrical source prior to making any actual adjustment inside the limit switch box to prevent electric shock and/or injury due to unexpected winch movement.

- ① Remove the limit box cover by loosening limit box cover retaining screw. Cover will slide to one side and hinge open. Cover is on a cable tether to prevent it from falling and damaging the curtain or floor.
- ② Down limit is preset and winch is shipped from the factory in the full down position. It is not necessary to adjust the down limit, and doing so may result in reverse wrapping of the lift cables. If winch operates in wrong direction, it may be necessary to reverse the up and down connections at the switch.

Caution
Operating the curtain too far in either direction, or with battens improperly installed, could cause severe damage to the divider.

Secure curtain to pipe by either:

- 1) Self tapping screw with flat washer through weld zone and into pipe.
- 2) Tie off curtain to pipe by using nylon string and offset grommet.

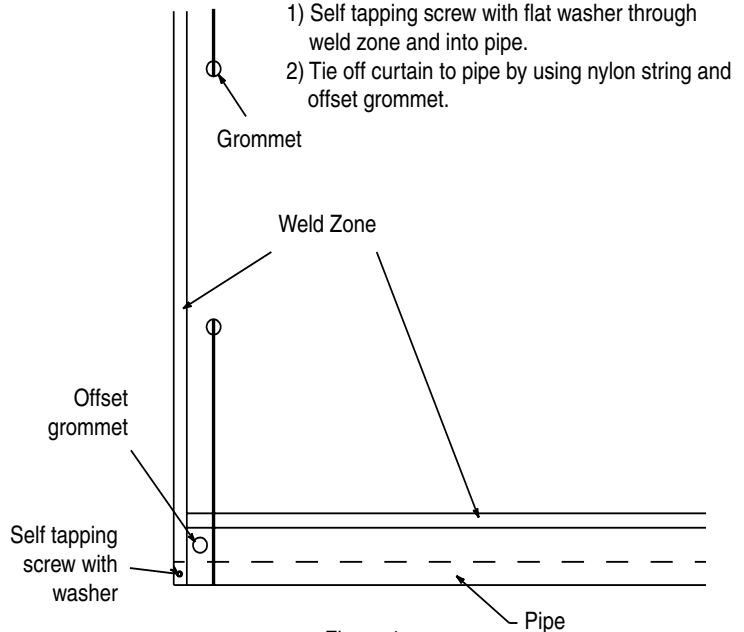
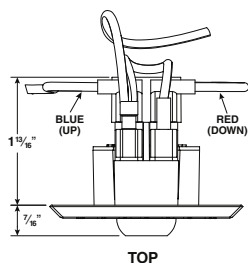
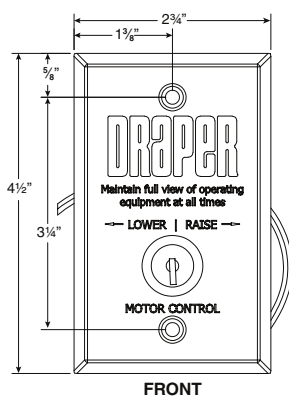


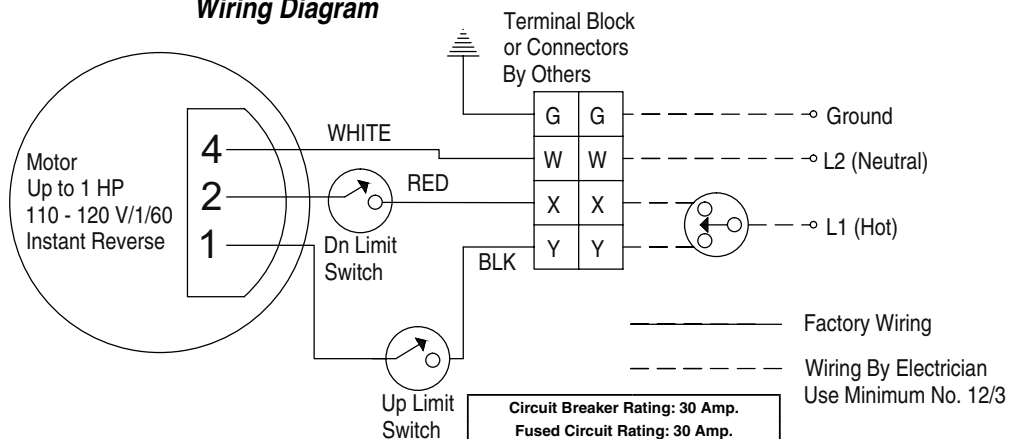
Figure 4

- ③ Operate hoist in up direction until desired position is reached or limit switch actuates. If necessary, move index wheel to allow more travel by following steps 4 to 8 below.
- ④ Shut off or disconnect power to winch to prevent chance of electric shock and/or injury due to unexpected winch movement.
- ⑤ Push the index bar toward the electrical box (away from the threaded rod) to disengage index wheel.
- ⑥ Rotate index wheel toward or away from the micro switch as required.
- ⑦ Release index bar ensuring that it engages index wheel.
- ⑧ Turn on or reconnect power to winch and verify travel stops at desired up location.
- ⑨ Verify setting in each direction and reattach limit switch box cover.

Key Switch



Wiring Diagram



Circuit Breaker Rating: 30 Amp.	
Fused Circuit Rating: 30 Amp.	
Full Load Amperage: 13.5 Amp	
Recommended Minimum Wire Size	
50' Maximum Run	12 AWG
51' to 100' Run	10 AWG
101' to 160' Run	8 AWG
161' to 260' Run	6 AWG
261' to 400' Run	4 AWG
Wire size recommendations based on 1 HP Motor, 3% voltage drop, copper wire and are calculated using standard wire size calculation methods	
Size of wall masonry boxes required for single and key switches All Boxes: 2" (w) x 3 3/4" (h) x 2 1/2" (d)	