

## Installation Instructions

# 504301 Curtain Lok Drive Shaft Style Divider Curtain Safety Device by Draper

### Tools Needed

Drill with  $\frac{17}{32}$ " or  $\frac{9}{16}$ " Bit  
 2 $\frac{3}{4}$ " Wrench

### Parts List:

Quantity	Item
1	Curtain Lok
4	$\frac{1}{2}$ "-13 x 1" Hex Head Cap Screws
2	$\frac{1}{2}$ "-13 x $\frac{3}{2}$ " Hex Head Cap Screw
6	$\frac{1}{2}$ "-13 Hex Nuts
6	$\frac{1}{2}$ "-Split Lock Washers
8	$\frac{1}{2}$ " Flat Washers
1	Mounting Bracket with appropriate attachment hardware

### Overview:

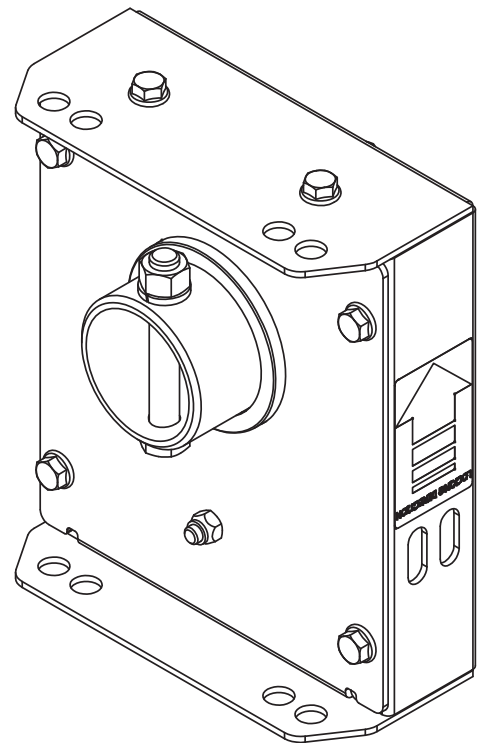
The 504301 Curtain Lok is a safety device intended to operate in a similar manner as a backstop safety strap, but specifically designed for drive shaft style divider curtains. The 504301 Curtain Lok mounts directly to the curtain drive shaft. In the event of an over-speed situation, the 504301 Curtain Lok will immediately cause the drive shaft to lock and prevent the curtain from falling.

### Ratings:

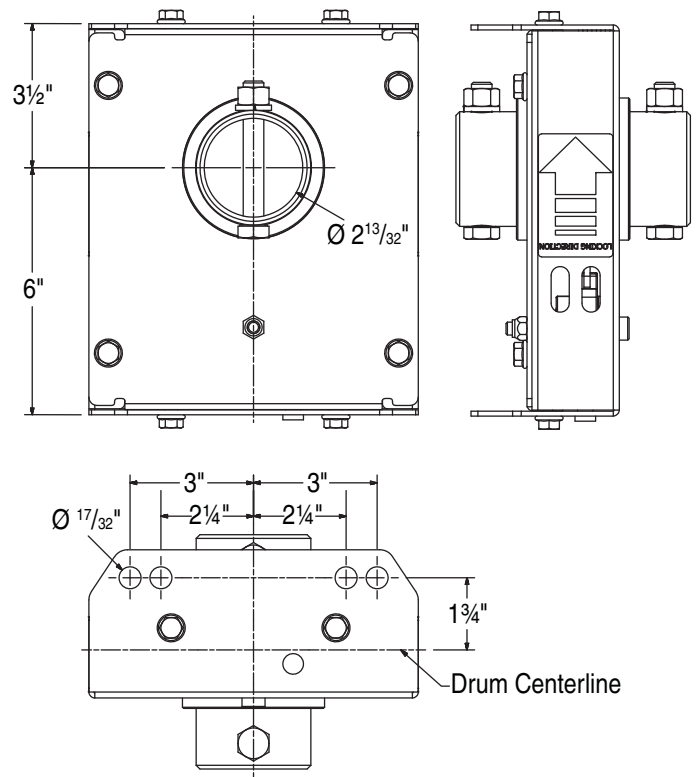
On a standard  $2\frac{3}{8}$ " drive shaft, the 504301 Curtain Lok is rated for use with a divider curtain with a weight up to 1,200 lbs. Drive shaft and drum diameter size directly affects the load rating of the 504301 Curtain Lok—i.e. with a 4" diameter drum, the maximum curtain weight is 750 lbs. and with a 6" diameter the maximum curtain weight is 500 lbs.

### Mounting Installation

- ① Verify that the support structure is sufficient for loads to be applied in the event of an over-speed situation.
- ② Slide the 504301 Curtain Lok over the  $2\frac{3}{8}$ " divider curtain drive shaft, making sure the unit is properly oriented so the lifting direction is as indicated on Curtain Lok. Installing Curtain Lok with improper rotation will result in a non-functioning unit. If the drive shaft is a size other than  $2\frac{3}{8}$ ", the installation will require appropriate bushings and/or reducers. Contact Draper if bushings or reducers are required.
- ③ Attach Z-Style mounting bracket to Curtain Lok with  $\frac{1}{2}$ "-13 x 1" Hex Head Cap Screws and  $\frac{1}{2}$ "-13 Flange Lock Nuts. Bolts will be attached to the 504301 Curtain Lok using the holes that are spaced at 6" centers on the mounting flange. Using hand wrenches, torque bolts to approximately to 25 ft. lbs. **DO NOT USE IMPACT WRENCH** as it may damage Curtain Lok.
- ④ Attach the 504301 Curtain Lok to the support structure using the appropriate attachment hardware provided by Draper. Curtain Lok should be located and mounted as shown on the project specific drawings.
- ⑤ Drill through holes in the curtain drive shaft using the holes in the 504301 Curtain Lok drive collar as a guide.
- ⑥ Install  $\frac{1}{2}$ "-13 x  $3\frac{1}{2}$ " bolt through holes drilled in step 5 and attach lock washer and hex nut. Tighten nut to approximately 25 ft. lbs. of torque.



### Dimensions



**For mounting details, see diagrams on page 2.**

*These instructions are meant as a guide only. They do not bind Draper, Inc. in any way and do not imply any responsibility of Draper, Inc. for improper installation or faulty workmanship at the jobsite.*

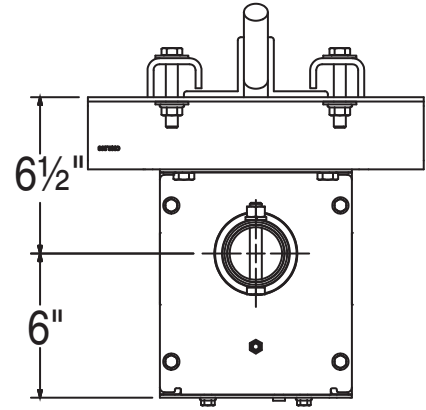
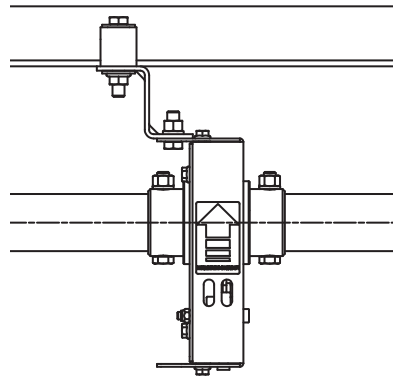
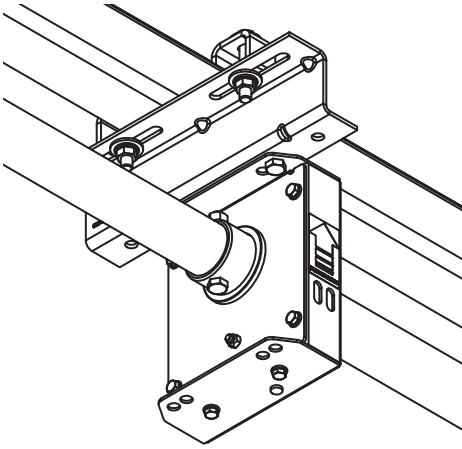
*If you encounter any difficulties installing or servicing your Curtain Lok, call your dealer or Draper, Inc., Spiceland, Ind., (765) 987-7999, or fax (765) 987-7142.*

# DRAPER®

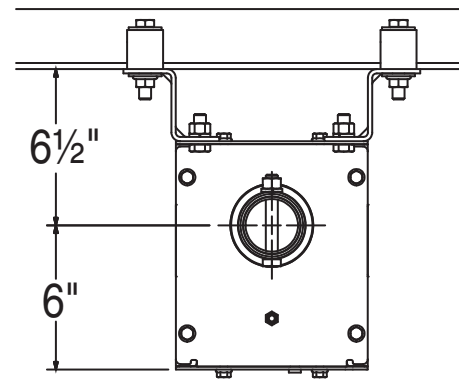
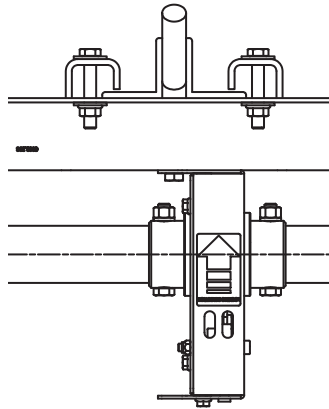
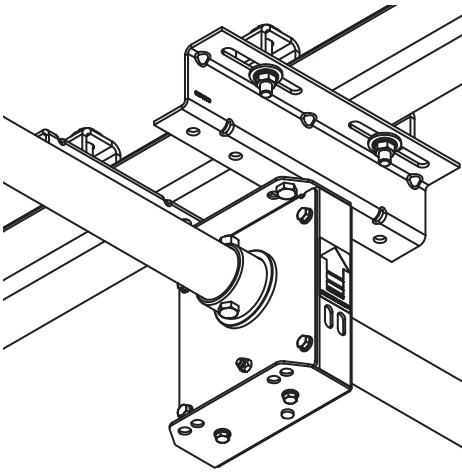
411 S. Pearl St., Spiceland, IN 47385 USA ■ 765-987-7999  
 www.draperinc.com ■ fax 765-987-7142

Copyright © 2012 Draper Inc. Form 504301-CurtainLok\_Inst12 Printed in U.S.A.

*Curtain Lok—Parallel Mount*



*Curtain Lok—Perpendicular Mount*



*Curtain Lok—Parallel Mount for Top Roll*

