

Installation Instructions

EZ Fold 503286 Manual Backstop Winch by Draper

Caution

- ① As with any lifting device, the installation shall be made only by persons suitably experienced and qualified for work on hoisting equipment, in accordance with local requirements.
- ② While these instructions address the areas of proper mounting, and cable installation, they are not intended to cover every aspect of installation of your hoisting system nor to replace the need for normal good care, workmanship and proper practices on the part of the installer.
- ③ Max. Safe Working Load shall be 1000 lbs./454 kg.
- ④ Winch shall be located so that backstops are in full view of operator, but in a position where operator is clear from potential injury if the backstop were to fall.
- ⑤ Not to be used for lifting people, or for lifting anything over people without a safety locking device or an automatic fall arrest system in place.
- ⑥ Do not use height adjuster electric operator or other electric drills. Use hand crank or optional 503249 Portable Electric Winch Operator.

Warning: Winch shall be located so that backstops are in full view of operator, but in a position where operator is clear from potential injury if the backstop were to fall. Not to be used for lifting people or to lift anything over people without a safety lock or automatic fall arrest system in place.

- ① Find installation location according to project drawings
- ② Four 7/16" diameter holes are provided for mounting the winch. It will be necessary to remove winch cover during installation. Attachment hardware will vary based on field conditions
- A) To mount to 2 x 8 x 36" wooden wall pads - Locate winch at center of wood pad with the pad running vertically. Mark and drill 13/32" holes and attach using 3/8"-16 x 2 1/2" carriage bolts and flange lock nuts. Anchor wooden wall pad per Draper recommendations and using hardware that is appropriate for wall construction and field conditions (see Fig. 1).

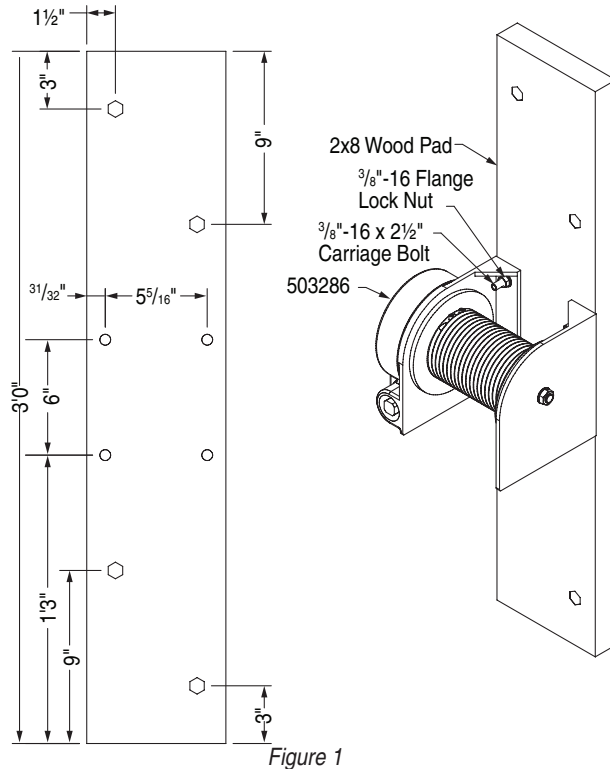


Figure 1

- B) To mount to plate or other steel brackets. – Winch is attached to steel plate or brackets using 3/8"-16 x 1 1/4" hex head bolts and flange lock nuts. Attach to column or other surface as shown on project drawings (see Fig. 2).

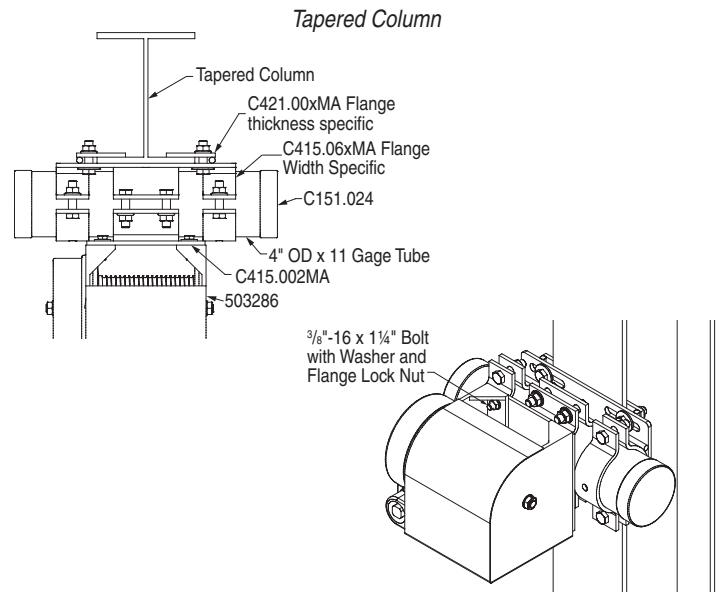
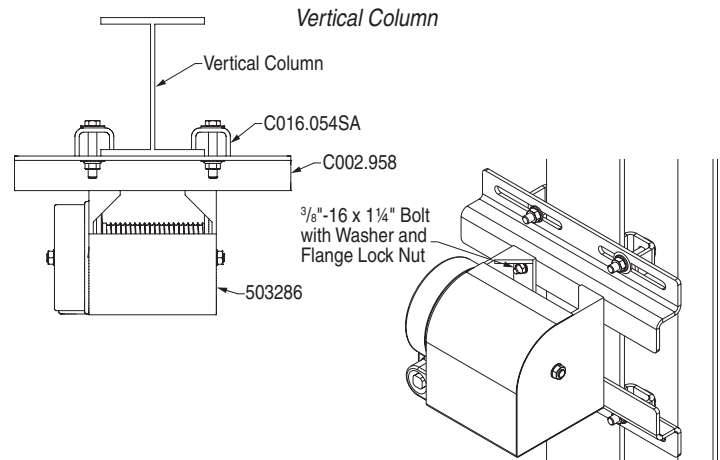


Figure 2

- ③ Turn winch handle so that cable attachment point (on gear box side of drum) is visible. Insert 1/4" diameter 7 x 19 aircraft cable into hole until end is exposed on opposite side of Drum. Tighten both set screws against cable. Then wrap between one and 1 1/2 wraps cable drum to determine the full down position (see Fig. 3).



Figure 3

- ④ Draper suggest that the cable be marked with a piece of tape or bright paint to indicate when backstop is in full stored position to prevent users from over-folding and potentially damaging backstop or structure to which the backstop is mounted.
- ⑤ After installation is complete re-attach winch cover.

DRAPER®

411 S. Pearl St., Spiceland, IN 47385 USA ■ 765-987-7999
www.draperinc.com ■ fax 765-987-7142

Copyright © 2013 Draper Inc. Form EZ-503286-ManualWinch_Inst13 Printed in U.S.A.

If you encounter any difficulty installing or servicing your 503286 Manual Backstop Winch, call your dealer or Draper, Inc., Spiceland, Indiana, (765) 987-7999; or fax (765) 987-7142.