

503065 Audible Alarm Kit

Alarm Kit for Backstops
and Gym Dividers

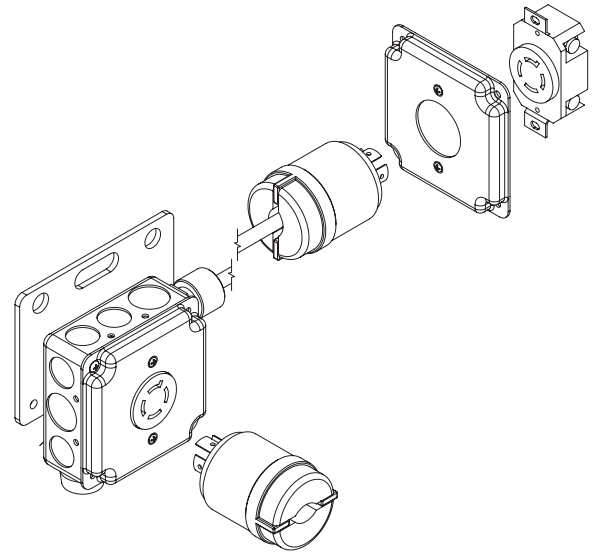
by DRAPER

Specifications—503065 Audible Alarm Kit for Backstop or Divider Winch

Draper's 503065 Audible Alarm Kit provides an intermittent, warning tone whenever a backstop or divider curtain winch is energized to insure everyone in area is aware whenever gymnasium equipment is in operation. Audible Alarm Kit consists of the audible alarm assembly (4" x 4" steel box electrical box with cover, 80 decibel pulsating alarm four-prong, twist lock receptacle, 5' cord with a twist lock plug and mounting bracket), four-prong twist lock plug twist lock receptacle and 4" square cover. Audible Alarm Kit can be used with any Draper Backstop or Divider Winch controlled by key switch, wireless remote, EZ-Pad or Smart Gym.

All wiring and electrical components are to be in accordance with local codes and as per manufacturers installation instructions. All conduits, wiring and electrical components not specified herein, shall be supplied by the electrical contractor.

Specifications subject to change without notice.



Instructions—503065 Audible Alarm Kit for Backstop or Divider Winch

Parts List:

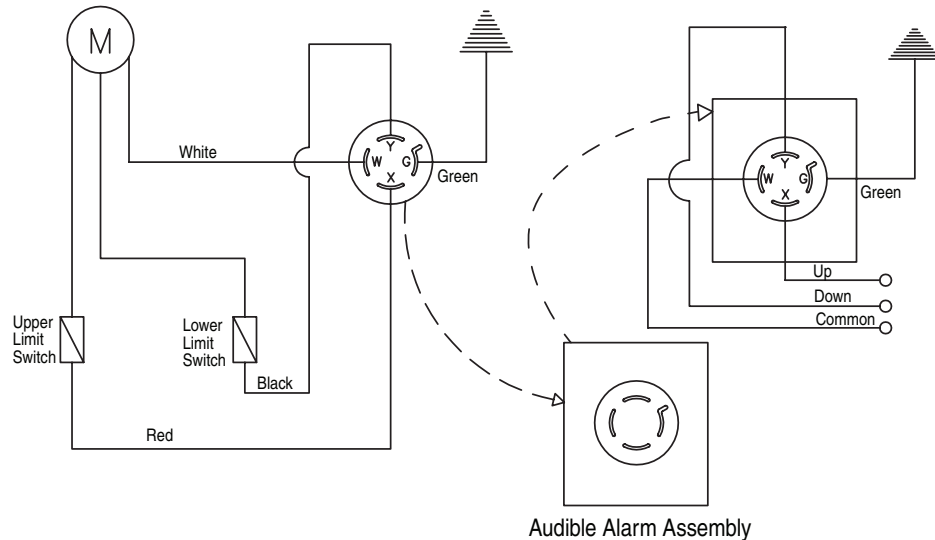
- 1-Audible Alarm Assembly with Mounting Bracket
- 1-C079.079 Plug- Twist Lock - NEMA L-14-20P
- 1-C201.007 Receptacle – Twist Lock – NEMA L14-20
- 1-C095.121 4" Cover x 1/2" Deep w/1.618" Hole with Screws

Overview

Draper's 503065 Audible Alarm Kit provides an intermittent, warning tone whenever a backstop or divider curtain winch is energized to insure everyone in area is aware whenever gymnasium equipment is in operation.

Please Note: Electrician should install Draper supplied twist lock receptacle and cover within 3' of location of winch or motor as shown on the project submittals.

- ① Attach Audible Alarm Assembly to device winch or overhead structure using mounting plate
- ② If using with Draper Backstop Winch or Divider Curtain or Electric Height Adjuster: Connect the C079.079 male twist lock plug to the whip that is attached to the device. The cord should be connected with the green wire hooked to terminal G, white wire connected to terminal W and the black wire connected to terminal X (see wiring diagram).
- ③ Insert male twist lock plug connect to winch into female receptacle in Audible Alarm Assembly.
- ④ Insert winch cord plug into female receptacle into receptacle installed by electrician.



DRAPER®

411 S. Pearl St., Spiceland, IN 47385 USA ■ 765-987-7999
www.draperinc.com ■ fax 765-987-7142
Copyright © 2013 Draper Inc. Form 503065-AudibleAlarm_Sub-Inst13-R Printed in U.S.A.

PROJECT: _____

ARCHITECT: _____

CONTRACTOR: _____

SUPPLIER: _____

DATE: _____ REVISED: _____