

Assembly Instructions

5014XX Freestanding Folding Volleyball Judges Stand by Draper

Caution

- ① Read instructions through completely before proceeding.
- ② Freestanding Folding Volleyball Judges Stand should only be used for intended purpose.
- ③ Wheels should be kept clean and free from debris to protect playing surface from damage.
- ④ These Instructions are meant as a guide only. They do not imply any responsibility on part of Draper, inc for improper installation or faulty workmanship at the jobsite.
- ⑤ Locking pin **MUST** be inserted through platform bracket to safely lock platform in position. Check this connection before every use.
- ⑥ Maximum allowable load is 250 lbs. Do not lean across railings or unit may topple over.

Assembly Instructions

- ① Unpack unit and check all parts against part list. Read all assembly instructions and caution labels carefully.
- ② Assemble ladder frame (1) to front frame (2) using Hex bolt M10 x 55mm (13), Teflon washer (8), flat washer M10 (14) and Lock nut (M10).
- ③ Attach Ladder crossbar-upper (3) (with hole for lock pin) to Ladder frame (1) using Hex bolt M8 x 50 (16), Washer M8 (17) and Lock nut M8 (18).

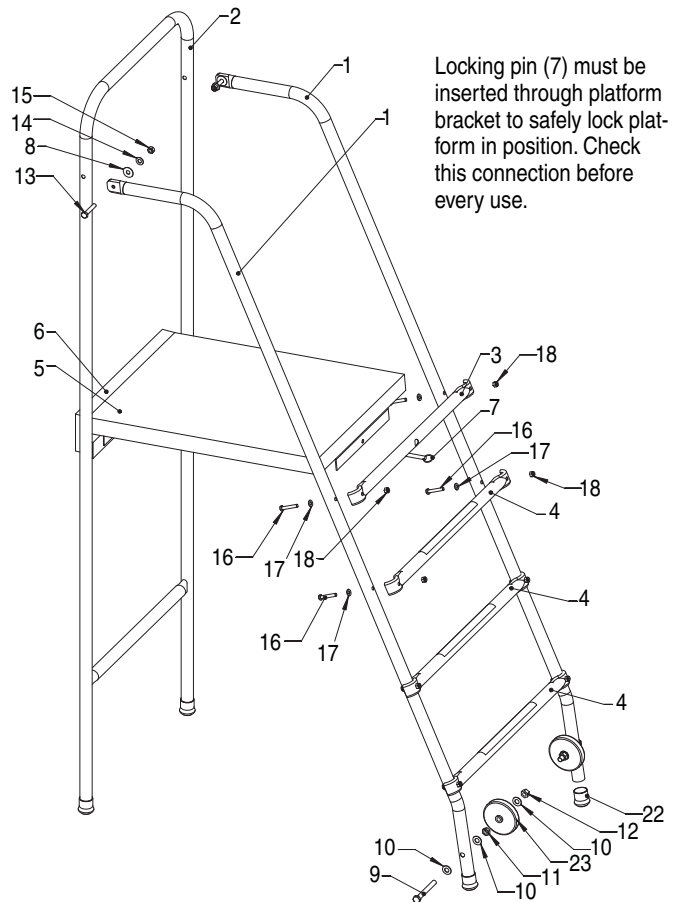
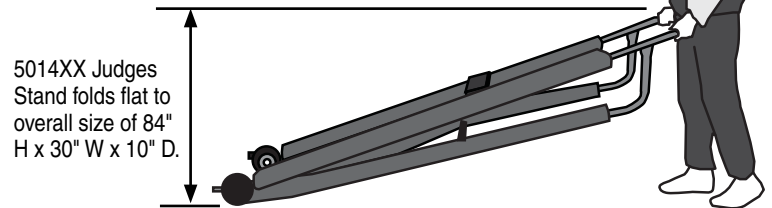
Note: The pin hole should be horizontal after installation.

- ④ Pull up Foot pad (5) and place Pad bracket under pad over Ladder crossbar-upper (3), align the hole in bracket with the hole in crossbar (3). Slider lock pin (7) all the way thru aligned holes until it is locked.
- ⑤ Attach Ladder crossbar (4) (with non-slip pad) (to Ladder frame (1) using Hex bolt M8 x 50 (16), Washer M8 (17) and Lock nut M8 (18).

Note: Please make sure the non-slip pad is facing up.

- ⑥ Assemble the Wheel to the bottom of Ladder frame (1) using Hex bolt M12 x 100mm (9), Washer M12 (11) to make sure the Hex bolt is fixed securely, and loosen Lock nut M12 (12) to allow Wheel to spin smoothly.
- ⑦ Tighten all bolts and nuts used in above steps.

Item No.	Description	Qty
1	Ladder frame	2 ea.
2	Front frame	1 ea.
3	Ladder cross bar—upper	1 ea.
4	Ladder cross bar	3 ea.
5	Foot pad assembly	1 ea.
6	Front pad	1 ea.
7	Lock pin	1 ea.
8	Teflon washer	2 ea.
9	Hex bolt M12 x 100	2 ea.
10	Flat washer M12	6 ea.
11	Hex Nut M12	2 ea.
12	Lock Nut M12	2 ea.
13	Hex Bolt M10 x 55	2 ea.
14	Flat washer M10	2 ea.
15	Lock Nut M10	2 ea.
16	Hex Bolt M8 x 50	8 ea.
17	Flat washer M8	8 ea.
18	Lock nut M8	8 ea.
19	Philips head screw M6 x 50	8 ea.
20	Philips head screw M6 x 20	6 ea.
21	Flat washer M6	14 ea.
22	End cap	4 ea.
23	Wheel 6"	2 ea.



DRAPER®

411 S. Pearl St., Spiceland, IN 47385 USA ■ 765-987-7999

www.draperinc.com ■ fax 765-987-7142

Copyright © 2010 Draper Inc.

Form VB-5014XX_Inst10

Printed in U.S.A.

If you encounter any difficulties installing or servicing your Folding Judges Stand, call your dealer or Draper, Inc., Spiceland, Ind., (765) 987-7999, or fax (765) 987-7142.