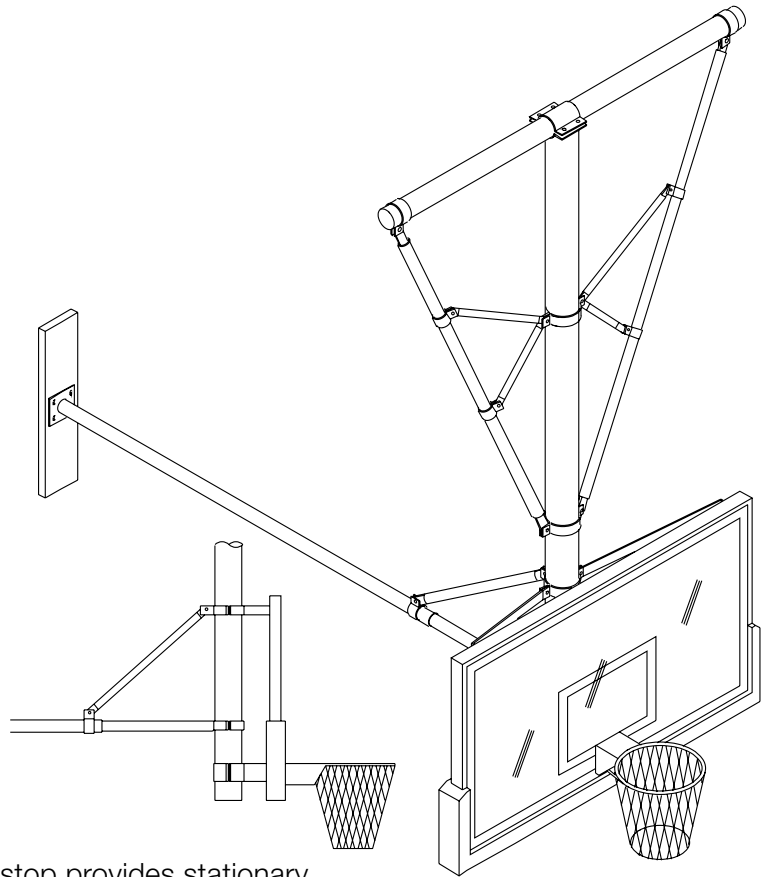


# BASKETBALL BACKSTOPS TS-22

CEILING-SUSPENDED, STATIONARY, BACK-BRACED



- The ceiling-suspended TS-22 Basketball Backstop provides stationary installation for extreme rigidity, with a horizontal back brace attached to an adjacent wall; where folded backstops are not required. Backstops are custom designed so the lateral sway brace intersects the main mast at approximately 54" (1.37 m) above the goal and 18" (46 cm) above the backboard; to ensure maximum rigidity.

## FEATURES:

- Bolt-together or welded construction to best fit job-site conditions.
- Aut-O-Loc 2 Safety Straps recommended for added protection for players and spectators.
- Includes 2 x 8 (3.8 cm x 18.42 cm) southern yellow pine wall pads at wall attachment points.



## OPTIONS:

- Frames have black or white powder coat finish; other color options available.

## SUPPORTING DOCUMENTS

Access dimensions, specifications, instructions, technical drawings and other supporting documents located at:  
[draperinc.com/documents.aspx](http://draperinc.com/documents.aspx)

For more information on this product visit:  
[draperinc.com/gymequipment/basketballbackstops.aspx](http://draperinc.com/gymequipment/basketballbackstops.aspx)