

# SPECIALTY & PE EQUIPMENT Sectional Mat Lifter

THREE CABLE SYSTEM, STANDARD LIFTER, SLING SUPPORTS AND LOAD BAR

PART NO. 502069



- To ensure balanced operation, the Sectional Mat Lifter unit features a two cable system. Standard lifter, load bar, and slings shall be capable of supporting three 15' x 45' (4.57 m x 13.72 m) wrestling mats (weighing approximately 1 lb/ft<sup>2</sup>) in a pyramid arrangement. In case of a power outage, an emergency lowering manual override brake is included. Motors, drive assembly, and all control mechanisms are encased in a fire proof safety cover.

## FEATURES:

- Standard sling color is black.
- Supports three 15' x 45' (4.57 m x 13.72 m) wrestling mats (weighing approximately 1 lb/ft<sup>2</sup> (4.88 kg/m<sup>2</sup>) with a 5-to-1 safety ratio.
- Unit weight excluding mats is approximately 950 lb (431 kg).
- Lifting and lowering speed is approximately 10 feet (3.04 m) per minute.
- Two 5-16" (13-41 cm), 7 x 19 lifting cables.
- A custom integrated motion alarm system automatically sounds when the lifter is in motion.

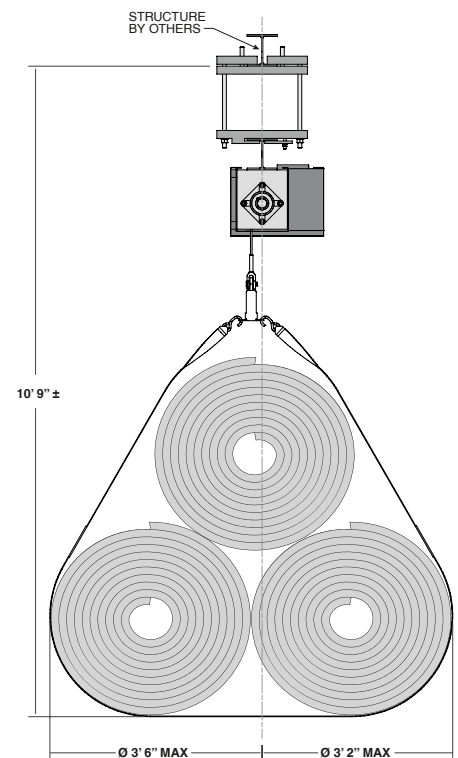
## OPTIONS:

- Other colors are available by special request.
- Optional travel kits available.

## SUPPORTING DOCUMENTS

Access dimensions, specifications, instructions, technical drawings and other supporting documents located at: [draperinc.com/documents.aspx](http://draperinc.com/documents.aspx)

Mat Lifter Dimensions - End View



For more information on this product visit: [draperinc.com/gymequipment/specialtype.aspx](http://draperinc.com/gymequipment/specialtype.aspx)

Draper, Inc. | 411 S. Pearl St. Spiceland, IN 47385  
draperinc.com | 765.987.7999 | 800.238.7999  
© 2019 All Rights Reserved | Form: GYMSPEC\_SectMatLifter\_19