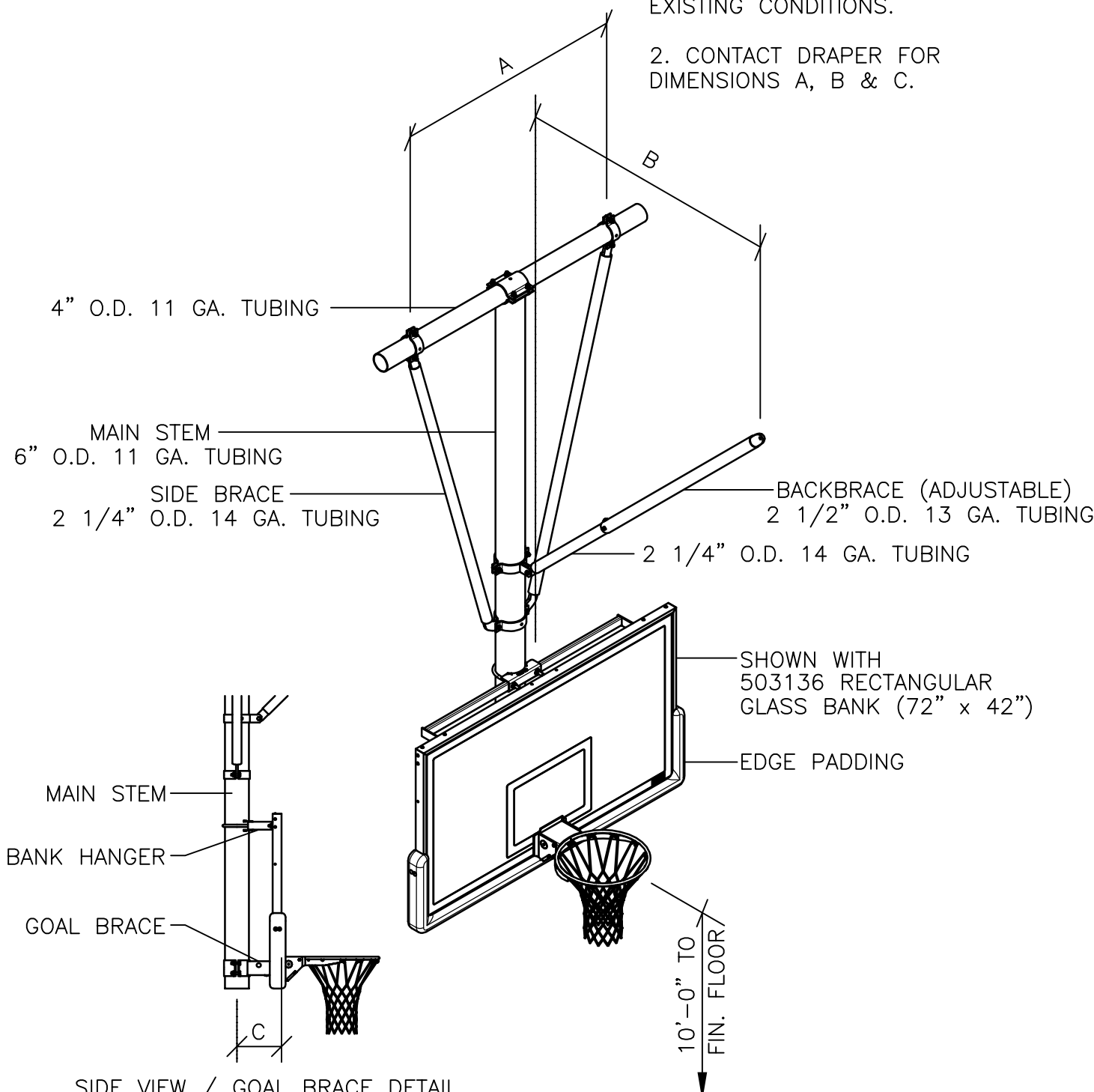


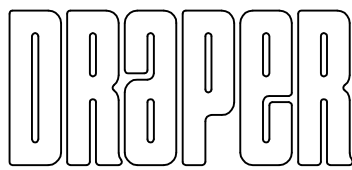
1. SUPERSTRUCTURE SUPPLIED FOR EXISTING CONDITIONS.

2. CONTACT DRAPER FOR DIMENSIONS A, B & C.



SIDE VIEW / GOAL BRACE DETAIL

"GOAL BRACE" FEATURE ATTACHES DIRECTLY BEHIND GOAL MOUNTING PLATE AND DIRECTLY TO MAIN STEM OF BACKSTOP WHICH ELIMINATES STRAIN ON BACKBOARDS.



TS-21-B EZ Fold Backstop
Ceiling-Suspended, Stationary, Forward-Braced

DRAPER, Inc., 411 S. Pearl Street, Spiceland, Indiana 47385
EMAIL drapercontract@draperinc.com, PH 765-987-7999, FAX 866-637-5611