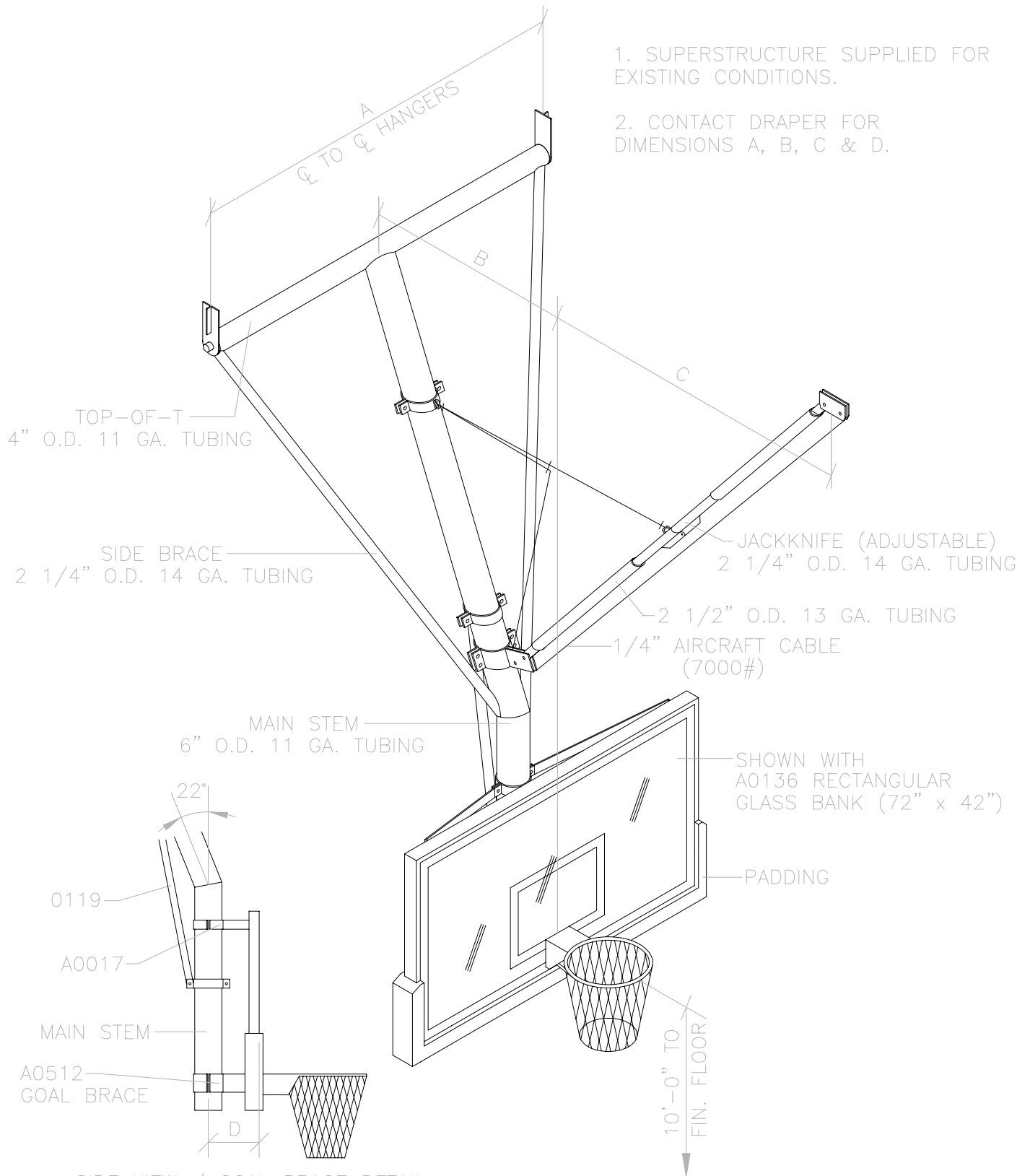


1. SUPERSTRUCTURE SUPPLIED FOR EXISTING CONDITIONS.

2. CONTACT DRAPER FOR DIMENSIONS A, B, C & D.



SIDE VIEW / GOAL BRACE DETAIL

"GOAL BRACE" FEATURE ATTACHES DIRECTLY BEHIND GOAL MOUNTING PLATE AND DIRECTLY TO MAIN STEM OF BACKSTOP WHICH ELIMINATES STRAIN ON BACKBOARDS.

DRAPER

TF-20S EZ Fold Backstop

Ceiling-Suspended, Forward-Folding, Front-Braced, Bent Stem

DRAPER, Inc., 411 S. Pearl Street, Spiceland, Indiana 47385
EMAIL drapercontract@draperinc.com, PH 765-987-7999, FAX 866-637-5611