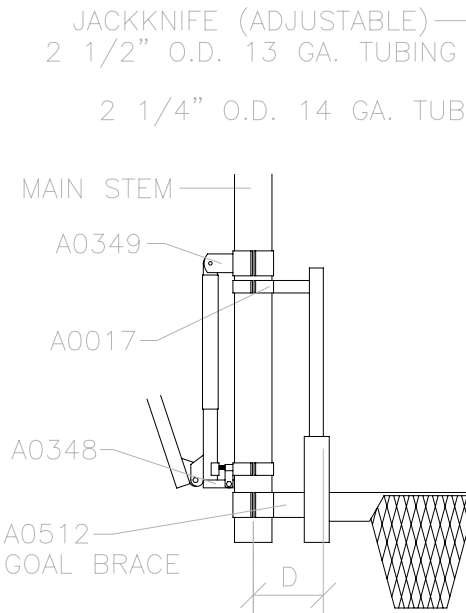


- 1. SUPERSTRUCTURE SUPPLIED FOR EXISTING CONDITIONS.
- 2. CONTACT DRAPER FOR DIMENSIONS A, B, C & D.



SIDE VIEW / GOAL BRACE DETAIL
 "GOAL BRACE" FEATURE ATTACHES DIRECTLY BEHIND GOAL MOUNTING PLATE AND DIRECTLY TO MAIN STEM OF BACKSTOP WHICH ELIMINATES STRAIN ON BACKBOARDS.

TF-20J EZ Fold Backstop
 Ceiling-Suspended, Forward-Folding, Rear-Braced

DRAPER, Inc., 411 S. Pearl Street, Spiceland, Indiana 47385
 EMAIL drapercontract@draperinc.com, PH 765-987-7999, FAX 866-637-5611

