

IntelliFlex™ Isolating Relay-Gen3 by Draper

Please Note

- ① Make sure power is disconnected before installing controls.
- ② This product is designed to be a job site rescue device by allowing multiple motors to be connected to one motor control or switch and provides group control of these motors. Each motor must have its own ISO Relay. Make sure the total FLA of all motors grouped together does not exceed the load carrying capacity of the switch or motor control being used.
- ③ When installing an ISO into an enclosure, maintain a minimum of .2" (5mm) spacing in all directions using the supplied spacers. An insulator plate should also be used. Shorts will result in damage to the component.
- ④ All metal traces may have AC power on them and must be insulated from the user and from electrical ground. An INS-ISO insulation board is provided.
- ⑤ Large black part may have a small voltage on it immediately after unit is active.
- ⑥ To achieve Pollution Degree 2 environment, mount in an enclosure with tight fitting seams or one that is gasketed.
- ⑦ The Main Disconnect and Branch Circuit Protection shall be provided by installer. Protection for shade motor must be provided at the switch or breaker panel.
- ⑧ Maximum surrounding air temperature 70 degrees Celsius.
- ⑨ Use copper conductors rated 75 degrees Celsius or higher only, 18-12AWG.

Please Note: This device has not been evaluated for reliability to the Standard for Tests for Safety-Related Controls Employing Solid-State Devices, UL 991 and therefore is not considered suitable for entrapment protection.

Electrical Specifications

Input:
Line Voltage: 120-240 VAC, 50/60 Hz

Output:
½ HP, 120 VAC, 5 Amp FLA
Dimensions: 2 1/8" x 1 7/16" x 1 5/16"



Conforms to UL Std. 325
Certified to CS Std. C22.2 No. 247

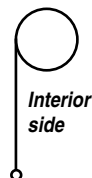
One Isolating Relay-Gen3 fits in a standard single gang J-Box.

Fabric unrolling from back of roller (standard)

Fabric unrolling from front of roller (reverse roll)

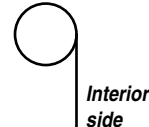
Right hand motor (Standard)

Black—Up
Red—Down



Right hand motor (Standard)

Red—Up
Black—Down



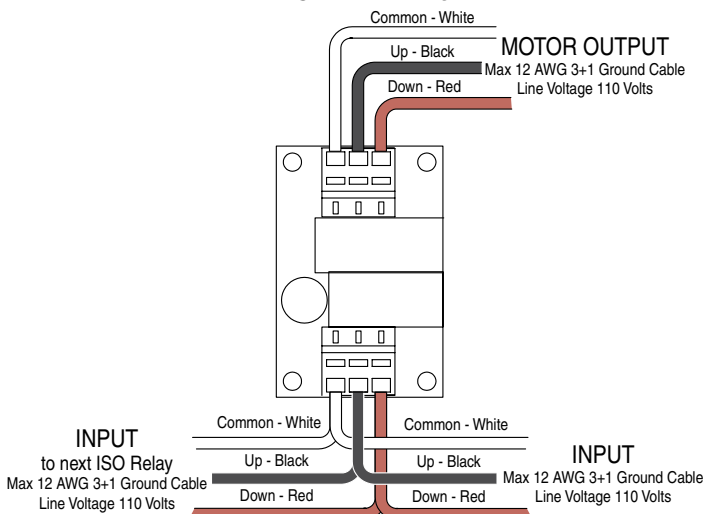
Left hand motor

Black—Down
Red—Up

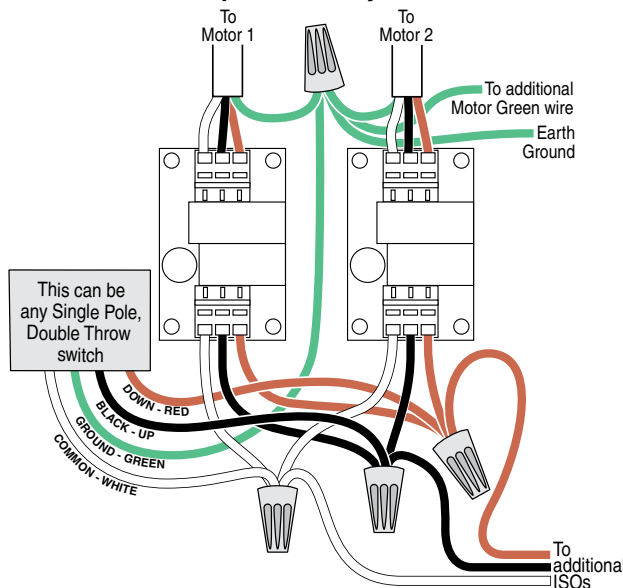
Left hand motor

Red—Down
Black—Up

Single ISO Relay



Multiple ISO Relays



411 S. Pearl St., Spiceland, IN 47385 USA ■ 765-987-7999
www.draperinc.com ■ fax 765-987-7142

Copyright ©2019 Draper Inc. Form ISO-Gen3_WD19 Printed in U.S.A.

If you encounter any difficulties installing/wiring your IntelliFlex control, call your dealer or Draper, Inc., Spiceland, Ind., (765) 987-7999; or fax (765) 987-7142.