

IntelliFlex™ GC4-Gen3 Control by Draper

Please Note

- ① Make sure power is disconnected before installing controls.
- ② This product allows up to four motors to be connected to one motor control or switch and provides group control of these motors. Make sure the total FLA of all motors grouped together does not exceed the load carrying capacity of the switch or motor control being used.
- ③ Up to 3 GC4s (12 motors total) can be banked as long as the switch ratings are not exceeded and 80% of the circuit breaker rating is not exceeded.
- ④ GC4 enclosure is 8" x 8" x 6".
- ⑤ The Main Disconnect and Branch Circuit Protection shall be provided by installer.
- ⑥ Maximum surrounding air temperature 70 degrees Celsius.
- ⑦ Use copper conductors rated 75 degrees Celsius or higher only, 18-12AWG.

Please Note: This device has not been evaluated for reliability to the Standard for Tests for Safety-Related Controls Employing Solid-State Devices, UL 991 and therefore not considered suitable for entrapment protection.

Electrical Specifications

Input:

Data: +12VDC BUS Commands
 Low Voltage: Dry Contact—0v AC
 Line Voltage: 115-230 VAC 50/60Hz

Output:

½ HP, 115VAC 5A FLA.
 Signal Output is Class 2.

Dimensions: 8" x 8" x 6"

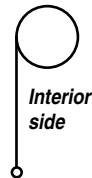


Conforms to UL Std. 325
 Certified to CS Std. C22.2 No. 247

Fabric unrolling from back of roller (standard)

Right hand motor (Standard)

Black—Up
 Red—Down



Left hand motor

Black—Down
 Red—Up

Fabric unrolling from front of roller (reverse roll)

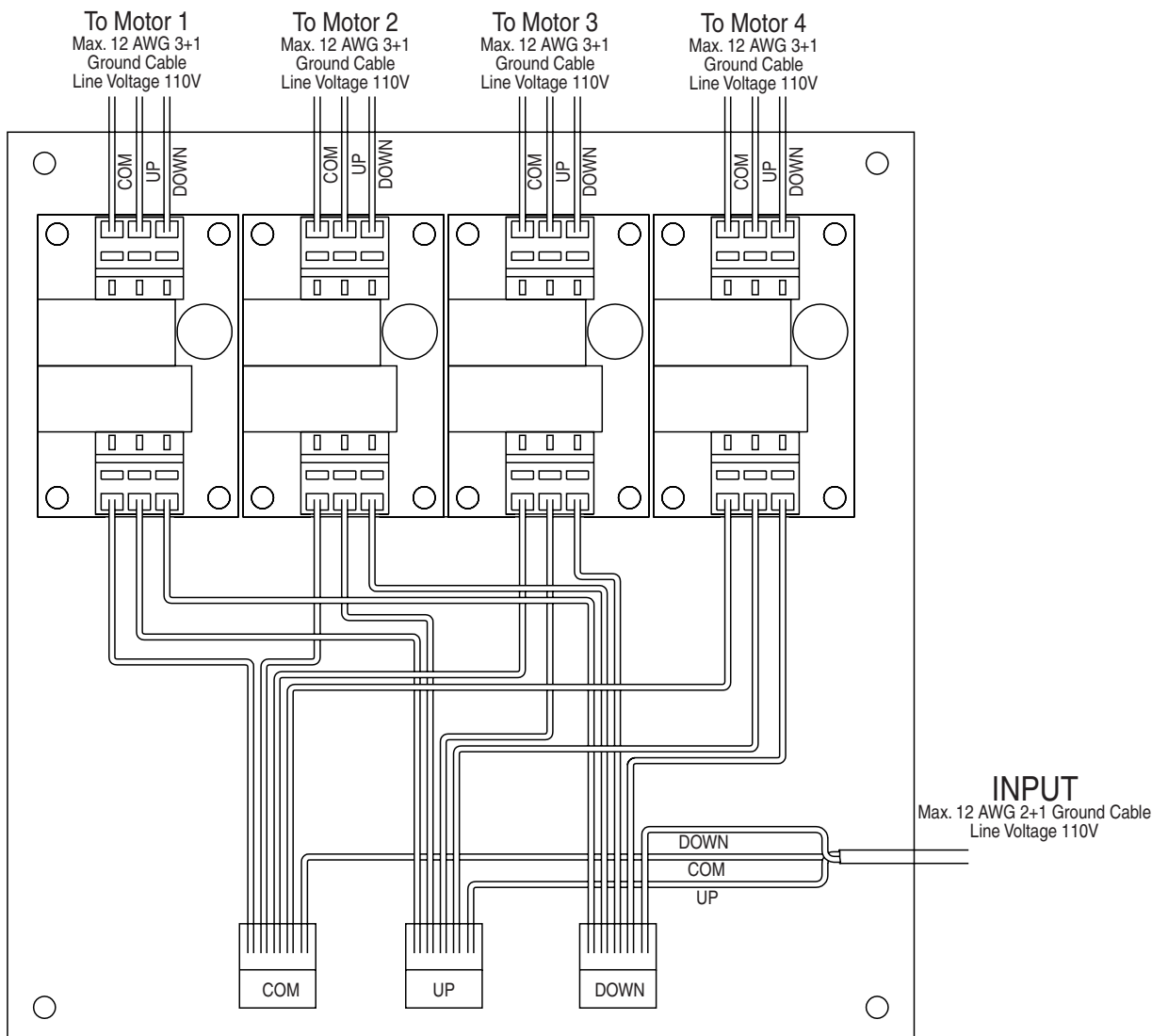
Right hand motor (Standard)

Red—Up
 Black—Down



Left hand motor

Red—Down
 Black—Up



411 S. Pearl St., Spiceland, IN 47385 USA ■ 765-987-7999
 www.draperinc.com ■ fax 765-987-7142