

# FlexShade® Battery

Long-lasting, rechargeable battery for window shades

## SUBMITTAL TECHNICAL INFO

Please check all appropriate selections and attach room schedule with verified dimensions.

Fabric Series: \_\_\_\_\_

Color Name / Number: \_\_\_\_\_

Openness Factor: \_\_\_\_\_

Please see Draper's [Fabric Options](#) for fabric colors and specifications.

### Select Fabric Orientation

- Regular Roll  
*(from back of roller)*
- Reverse Roll  
*(from front of roller)*  
[Not available with surface headbox]

### Select Single Roller Hardware

- Universal Brackets Endcaps Only  
*(Ceiling / Wall / Inside / Outside)*
- Endcaps with Fascia

### Select Optional Headbox

- Ceiling / Wall *(Surface Headbox)*
- Type "D" Pocket with Tile Lip  
*(White only; not compatible with 3" [76 mm] roller)*
- Pocket Style
- Custom Headbox

### Select Optional "L" or "U" Channels *(for Light Gap Reduction)*

- Aluminum "L" Angle
- Vinyl "L" Angle
- Aluminum "U" Channel

### Select Hardware Finish *(does not apply to Type D Headbox)*

- Clear Anodized *(standard) (available with clutch only)*
- Black
- Ivory
- White
- Charcoal Bronze

### Select Slat Style

- Closed Pocket - 1" (25 mm) Elliptical *(standard)*
- Open Pocket - 1" (25 mm) Elliptical
- Small Flat Exposed Hem Bar
- Large Flat Exposed Hem Bar
- Round Exposed Hem Bar
- 3/16" (5 mm) Tube
- None

### Select Motor Location

As seen from INSIDE the room facing the window. Also indicate on room schedule.

- Right Side *(standard)*
- Left Side

### Select Motor Type

- External Battery wand
- Rechargeable Lithium Ion Motor

### Select Control Options

For specific control option, indicate Draper Part Number(s) in the space provided.

- Handheld Remote: \_\_\_\_\_
- Wireless Wall Switch: \_\_\_\_\_
- Accessories *(consult DraperInc.com)*: \_\_\_\_\_

### Specifications

#### EQUIPMENT

**BATTERY OPERATOR:** Drive unit inside roller, instantly reversible, lifetime lubricated. Right-hand motor location standard. Left-hand motor location also available with endcaps. Limit switches adjustable using wall switch or remote control. Operates on power provided by two 12V battery wands. Reloadable battery wand *(AA lithium batteries NOT INCLUDED)* and NiMH Solar Rechargeable Battery Wand with Solar Recharge Panel also available *(for limitations see documentation at [www.draperinc.com/go/BatteryPoweredShade.htm](http://www.draperinc.com/go/BatteryPoweredShade.htm))*. Can be retrofitted to Draper manual shades.

#### HARDWARE

**ROLLERS:** 1 1/2" (38 mm) dia., extruded aluminum. Roller assembly easily removable.

**MOUNTING BRACKETS:** 1018 plated steel stamping universal bracket for mounting to wall, ceiling, or jamb. Brackets do not require additional adapters.

**ROLLER IDLER ASSEMBLY:** Type 6 / 6 injected molded nylon and spring-loaded pin for easy installation and removal of the roller.

**SLAT:** Aluminum, min. 1/8" (3 mm) x 1" (25 mm), enclosed in heat seamed hem.

**ENDCAPS:** 1028 steel stamping. 3 1/4" x 3 3/4" (82 x 95 mm). Complete with adapter roller bracket. Installs to wall, ceiling, or jamb. Accepts fascia or headbox. Clear Anodized *(standard)*, or black, white, ivory or bronze powder coat finish available.

**ENDCAP COVERS:** Plastic covers snap onto endcaps. Available in ivory, bronze, black, or white to match fascia.

**FASCIA:** L-shaped cover of extruded aluminum, .060 wall. Assembly snaps onto endcaps without exposed fasteners. Clear Anodized *(standard)*, black, white, ivory, or charcoal bronze finish available.

**HEADBOX:** Standard consists of fascia, L-shaped back/top cover. Assembly snaps onto endcaps. 3 3/4" x 3 3/4" (86 x 98 mm).

**DOWNLOADABLE 3-PART SPECIFICATIONS:**  
available at [www.draperinc.com](http://www.draperinc.com).

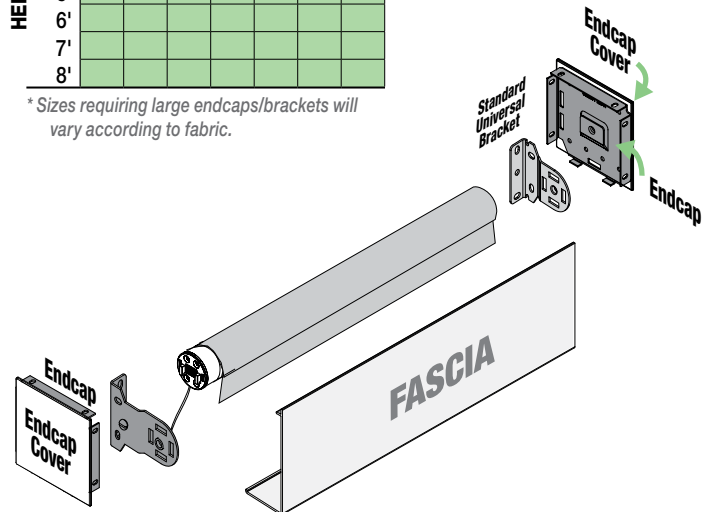
Please note: Dimensions of rollers, operators and hardware at manufacturer's discretion.

### Available Sizes:

WIDTH:	2'	3'	4'	5'	6'	7'	8'
HEIGHT:							
2'							
3'							
4'							
5'							
6'							
7'							
8'							

Battery Motor available on shades through 8' x 8'.

\* Sizes requiring large endcaps/brackets will vary according to fabric.



Draper, Inc. | 411 S. Pearl St. Spiceland, IN 47385  
draperinc.com | 765.987.7999 | 800.238.7999

© 2023 All Rights Reserved | FORM: FS\_MO\_Battery\_Sub23

PROJECT: \_\_\_\_\_

ARCHITECT: \_\_\_\_\_

CONTRACTOR: \_\_\_\_\_

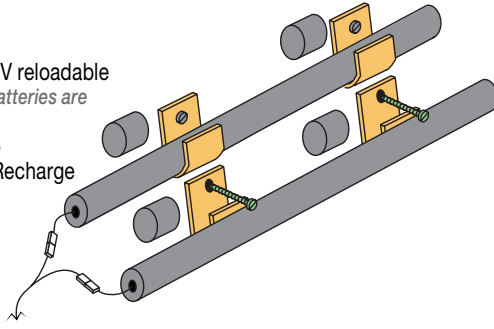
SUPPLIER: \_\_\_\_\_

DATE: \_\_\_\_\_ REVISED: \_\_\_\_\_

## Components

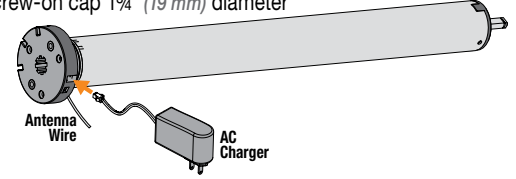
### NiMH Battery Operator

- Drive unit inside roller,
- Power provided by two 12V reloadable battery wand (AA lithium batteries are NOT INCLUDED)
- NiMH Solar Rechargeable Battery Wand with Solar Recharge Panel also available
- Can be retrofitted to Draper manual shades.

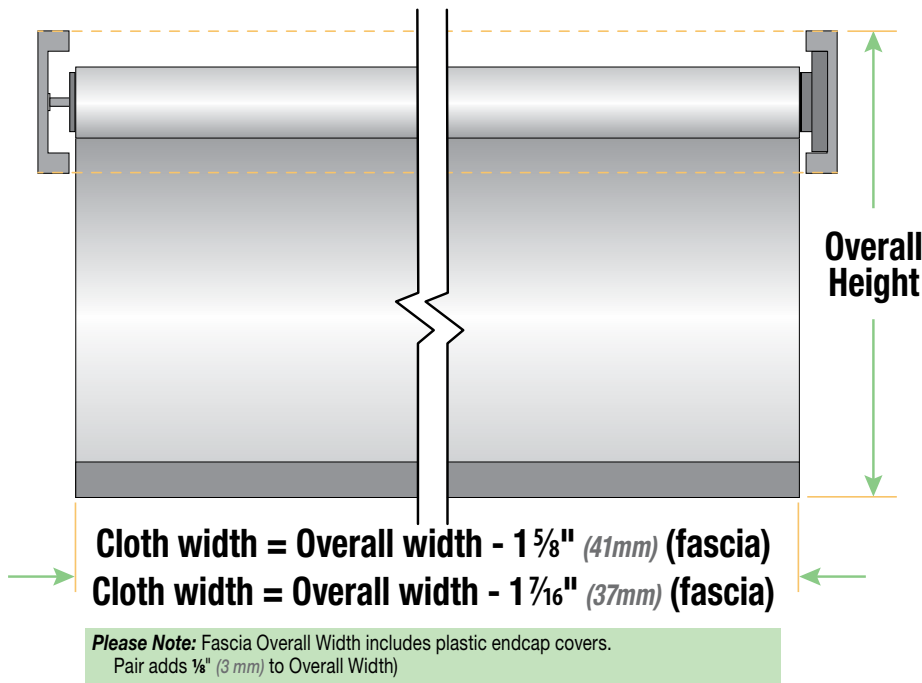


### Li-ion Battery Wand

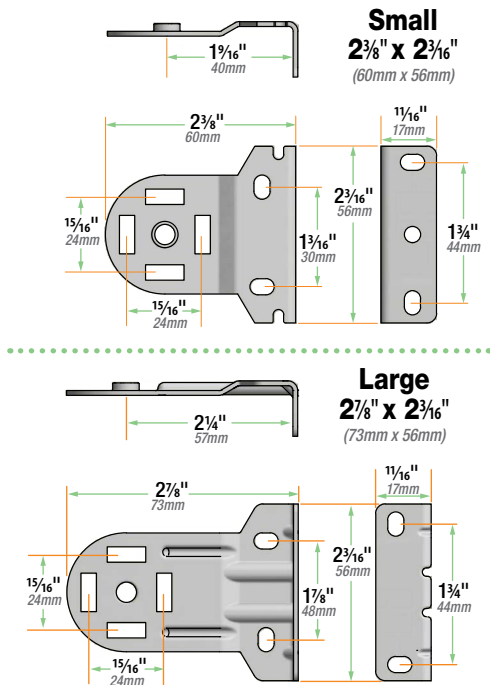
- 12V built-in Li-ion battery pack with integrated charge management.
- Max power input for recharging: 12.6V / 1000mAh.
- 18" (457 mm) long x 1/16" (17 mm) diameter
- Screw-on cap 1 1/4" (19 mm) diameter



## Dimensions



### BRACKETS



### ENDCAPS

