

# Dual Roller 12V Battery FlexShade®

No wiring or electrician, rechargeable motorized dual roller window shade

## SUBMITTAL TECHNICAL INFO

**On the diagram below, please provide the following information:** *(If specifying a Coupled FlexShade, also indicate desired locations for couplers.)*

### DFBA

**Rear Roller Fabric:** \_\_\_\_\_

**Color / Number:** \_\_\_\_\_ **Openness Factor:** \_\_\_\_\_

**\*Please see the [Shade Fabric Reference Guide](#) on the Draper® website for fabric colors and specifications.**

**Front Roller Fabric:** \_\_\_\_\_

**Color / Number:** \_\_\_\_\_ **Openness Factor:** \_\_\_\_\_

**\*Please see the [Shade Fabric Reference Guide](#) on the Draper® website for fabric colors and specifications.**

**Please Note:** Shade fabrics can be placed anywhere in the headbox. Fabric or screen can be no closer than 1<sup>3</sup>/<sub>16</sub>" (21mm) to either end of the headbox.

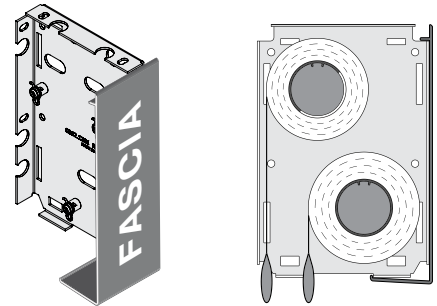
#### Select Hardware Finish

- Clear Anodized (standard)
- Black
- Ivory
- White
- Bronze
- Custom (Contact Draper®)

#### Select Dual Roller Hardware

*(Hardware Dimensions available on page 2.)*

- Dual Endcaps Only
- Dual Endcaps with Fascia



#### Select Headbox

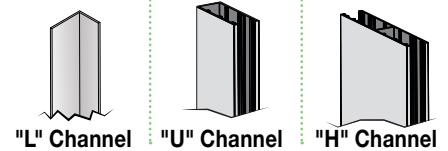
- Dual Headbox
  - Pocket Headbox (standard or large; sizes chosen by Draper)
 

Dual Pocket Headbox Tile Flange:	<input type="checkbox"/> Front (standard)	<input type="checkbox"/> Back
	<input type="checkbox"/> Left	<input type="checkbox"/> Right
	<input type="checkbox"/> None	
Dual Pocket Headbox Ventilation Holes:	<input type="checkbox"/> Yes	<input type="checkbox"/> No (standard)
Pre-Drilled Shade Endcap Mounting Holes:	<input type="checkbox"/> Yes (standard)	<input type="checkbox"/> No
Pre-Drilled Pocket Headbox Mounting Holes:	<input type="checkbox"/> Yes	<input type="checkbox"/> No (standard)
  - Ceiling / Wall (Surface Headbox)
  - Custom Headbox

#### Select Light Block Option

- "L", "U", or "H" Channels for Light Gap Reduction
 

<input type="checkbox"/> "L" Angle	<input type="checkbox"/> "U" Channel
<input type="checkbox"/> "H" Channel	<input type="checkbox"/> Channel Liners



#### Select Motor Location

*(As seen from INSIDE the room facing the window. Also indicate on room schedule.)*

- Right Side (standard)
- Left Side

#### Select Control Options

- 1-Channel Transmitter
- 4-Channel Transmitter
- 1-Channel Wall Switch
- 4-Channel Wall Switch
- RTS Sun Sensor
- Programmable Timer

#### Select Battery Wand

- 12V Battery Wand
- Reloadable Battery Wand  
*(AA lithium batteries NOT INCLUDED)*



Draper, Inc. | 411 S. Pearl St. Spiceland, IN 47385  
draperinc.com | 765.987.7999 | 800.238.7999

© 2021 All Rights Reserved | FORM: DR\_FS\_MO\_Batt\_12V\_Sub21

**PROJECT:** \_\_\_\_\_

\_\_\_\_\_

**ARCHITECT:** \_\_\_\_\_

**CONTRACTOR:** \_\_\_\_\_

**SUPPLIER:** \_\_\_\_\_

**DATE:** \_\_\_\_\_ **REVISED:** \_\_\_\_\_

## Standard Hardware Specifications

**PATENT INFORMATION:** Available at <http://www.draperinc.com/legal/patents>

**DOWNLOADABLE 3-PART SPECIFICATIONS:** Available at [www.draperinc.com](http://www.draperinc.com)

*Please note:* Dimensions of rollers, operators, and hardware at manufacturer's discretion.

### DUAL ROLLER WITH DUAL SURFACE HEADBOX

*Fascia, L-shaped top/back, and endcaps designed for wall or ceiling installation of dual roller window shades.*

**ENDCAPS:** 1028 steel stamping. Complete with adapter roller bracket.

**FASCIA:** L-shaped cover of extruded aluminum, .060" (1.524 mm) wall. Assembly snaps onto endcaps without exposed fasteners.

**SIZE:** 4 3/4" (121 mm) deep x 7" (178 mm) high x length required by window opening.

**FINISH:** Clear Anodized (standard), black, white, ivory, or bronze powder coat.

**LIGHT GAP REDUCTION HARDWARE:** Extruded Aluminum. Accepts edges of fabric, prevents light gaps. Interior of channel provides for use of flat head screws.

**"L" ANGLE:** 3/4" x 1" x 12'3" (1.9 x 2.5 x 373 cm); 1" x 2 3/4" x 16' (2.5 x 7 x 488 cm) or cut to length.

**"U" CHANNEL:** 1" x 2 1/2" x 16' (2.5 x 6.4 x 488 cm) or cut to length.

**"H" CHANNEL:** 1" x 5" x 16' (2.5 x 12.7 x 488 cm) or cut to length.

**COUPLER ASSEMBLY:** Zinc plated steel Coupler Shafts are retractable into coupler assembly for ease of installation and to lock units in place. Zinc plated steel coupler brackets have spherical OD bearings allowing for misalignment of the mounting brackets of up to 1.25-degrees. One motor to drive additional shade rollers.

**ROLLER:** Fabricated from extruded aluminum or steel. Wall thickness and material selected by manufacturer to accommodate shade size. Roller idler assembly of molded nylon and zinc-plated steel pin. Sliding pin provides easy installation and removal of roller. Fabric connected to the roller tube with LSE (low surface energy) double sided adhesive specifically developed to attach coated textiles to metal. Adhesive attachment eliminates horizontal impressions in fabric.

### EQUIPMENT

**BATTERY OPERATOR:** Drive unit inside roller, instantly reversible, lifetime lubricated. Right-hand motor location standard. Left-hand motor location also available with endcaps. Limit switches adjustable using wall switch or remote control. Operates on power provided by two 12V battery wands. Reloadable battery wand (AA lithium batteries NOT INCLUDED) and NiMH Solar Rechargeable Battery Wand with Solar Recharge Panel also available. For limitations see documentation at [www.draperinc.com/windowshades/productdetail/4/flexshade-battery](http://www.draperinc.com/windowshades/productdetail/4/flexshade-battery). Can be retrofitted to Draper manual shades.

### SHADE SLAT:

**CLOSED POCKET ELLIPTICAL SLAT:** 1" (25 mm) aluminum elliptical slat inside of a 1 3/8" (41 mm) pocket with heat sealed ends.

**OPEN POCKET ELLIPTICAL SLAT:** 1" (25 mm) aluminum elliptical slat with plastic ends inside of a 1 3/8" (41 mm) pocket.

**SMALL FLAT EXPOSED HEM BAR:** 7/8" x 3/16" (22 mm x 8 mm) and Large 1 1/2" x 5/16" (38 mm x 8 mm) aluminum rectangular hem bar with plastic endcaps.

**LARGE FLAT EXPOSED HEM BAR:** 1 1/2" x 3/16" (38 mm x 8 mm) aluminum rectangular hem bar with plastic endcaps.

**ROUND EXPOSED HEM BAR:** Small 3/8" (16 mm) and Large 13/16" (21 mm) aluminum with plastic endcaps.

### DUAL ROLLER ENDCAPS

*Endcaps for surface or recessed mounting of dual roller window shades.*

**1028 STEEL STAMPING:** Complete with adapter roller bracket. Installs to wall, ceiling, or jamb. Accepts fascia.

**SIZE:** 4 3/4" (121 mm) deep x 7" (178 mm) high x length required by window opening.

### DUAL ROLLER FASCIA

*Endcaps with fascia designed for surface mounting of dual roller window shades.*

**ENDCAPS:** 1028 steel stamping. Complete with adapter roller bracket. Installs to wall, ceiling, or jamb.

**FASCIA:** L-shaped cover of extruded aluminum, .060" (1.524 mm) wall. Assembly snaps onto endcaps without exposed fasteners.

**FINISH:** Clear Anodized (standard), black, white, ivory, or bronze powder coat.

**SIZE:** 4 3/4" (121 mm) deep x 7" (178 mm) high x length required by window opening.

### DUAL ROLLER WITH POCKET HEADBOX

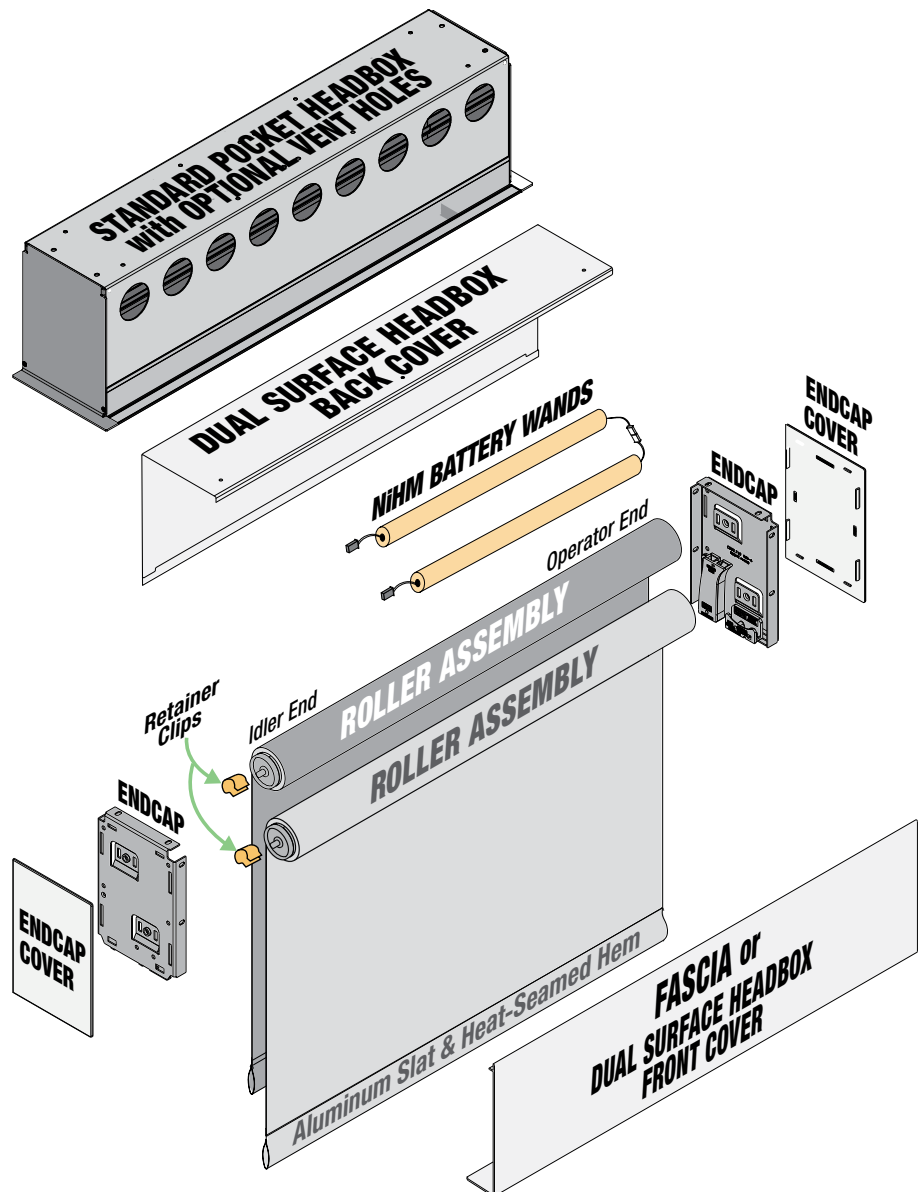
*Pocket and endcaps designed for recessed ceiling installation of dual roller window shades.*

**ENDCAPS:** 1028 steel stamping. Complete with adapter roller bracket.

**HEADBOX:** 18-gauge steel pocket, for mounting directly to ceiling, wall, or continuous blocking that is secured to building structure. Optional pre-drilled mounting holes and pre-drilled ventilation holes.

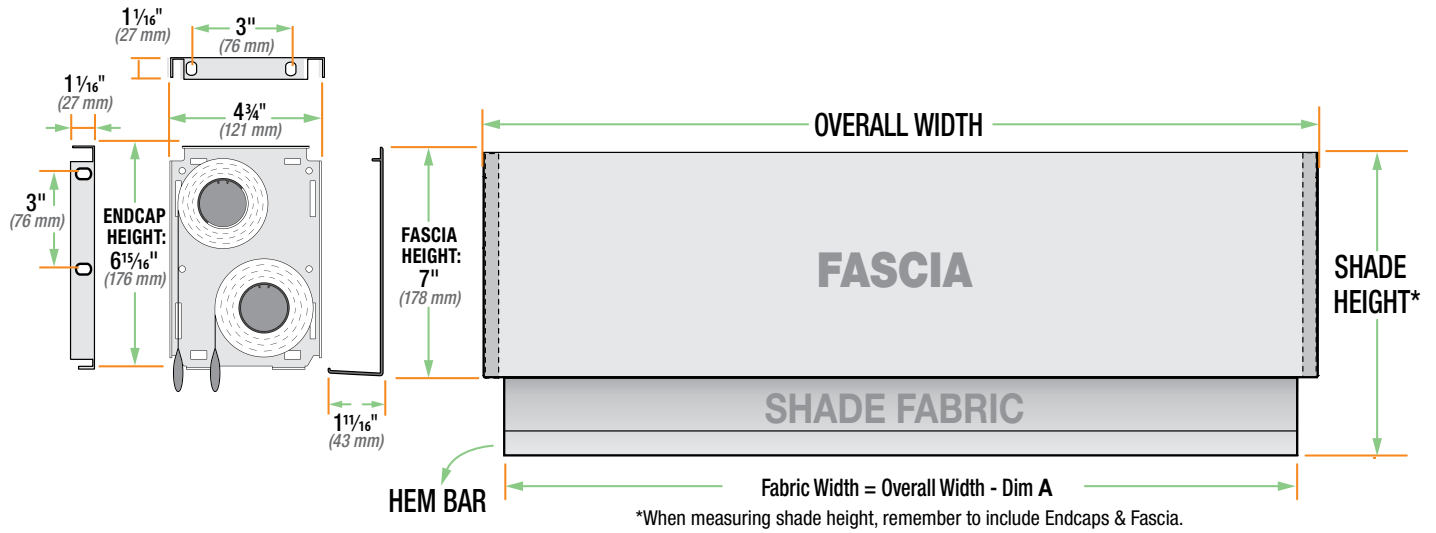
**FINISH:** White Inside/Grey Outside with white ceiling flange or Grey Inside/White Outside with white ceiling tile flange. Front Tile Flange. Optional left and right Tile Flanges available.

**SIZE:** 5 3/4" (146 mm) wide by 7 3/4" (197 mm) high.

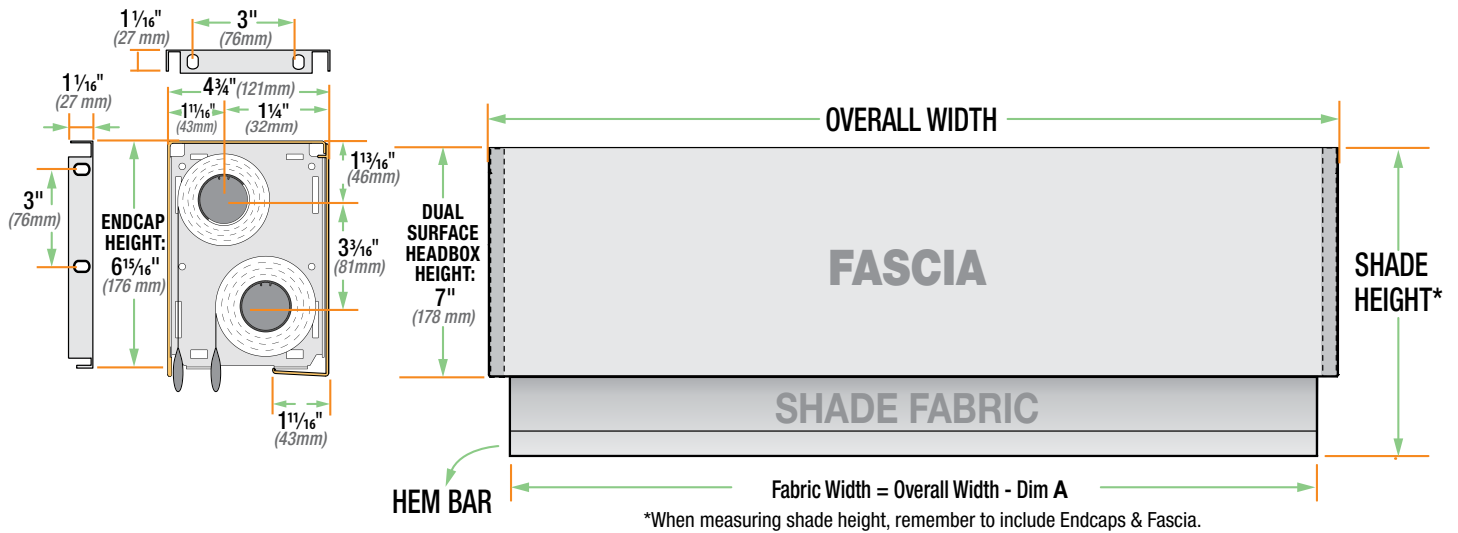


## Standard Hardware Dimensions

### Endcap & Fascia Dimensions



### Dual Roller Surface Headbox Dimensions



### Dual Roller Pocket Headbox Dimensions

